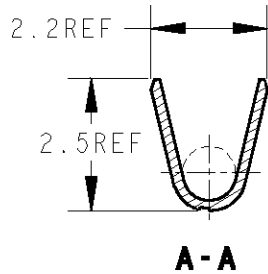
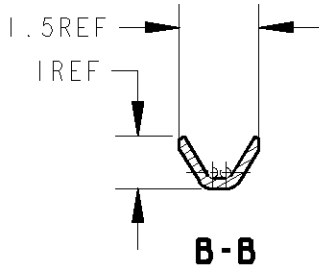
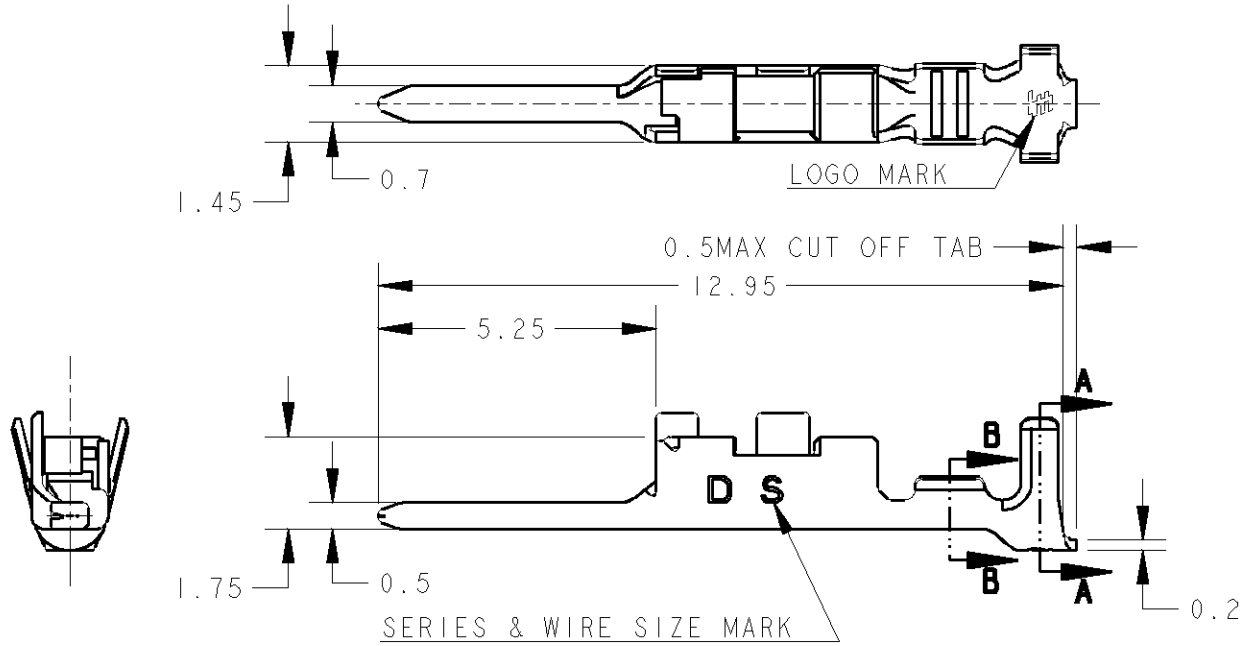


LOC	DIST	REVISIONS 変更					
J	-	P	LTR	DESCRIPTION	DATE	DWN	APVD
		B		REVISED PER ECR-10-010439	07JUN2010	HMR	T.M



1. THE SHAPE, SIZE AND POSITION OF THE CHARACTER SHOW THE OUTLINE. THEY DON'T SHOW DETAILS.

1. 文字の形状、大きさ、および位置については、大略を示すものであり、詳細を示すものではありません。

AS SHOWN: 1903115-2

<p>△ COPPER ALLOY: FINISH; CONTACT AREA Au 0.38μmMIN, OVER Ni 1.27μmMIN</p> <p>△ 銅合金: 下地; 全面ニッケルめっき1.27μm以上, 接点部; 金めっき0.38μm以上</p>	1903115-2
MATERIAL (材料)	PART NO(型番)

2006

RELEASED FOR PUBLICATION

BY TYCO ELECTRONICS CORPORATION. ALL INTERNATIONAL RIGHTS RESERVED.

© COPYRIGHT 2006

THIS DRAWING IS UNPUBLISHED.

DIMENSIONS: 単位: 耗 mm		DWN M. MAEBASHI 11APR2006		WIRE RANGE 総合電線断面積 mm <sup>2</sup> 0.05~0.09		AWG# 30~#28 INSULATION DIA 被覆外径 φ0.6~φ1.2	
TOLERANCES UNLESS OTHERWISE SPECIFIED: 一般公差 ±0.3, ±3° 0 PLC ± 1 PLC ± 2 PLC ± 3 PLC ± 4 PLC ± ANGLES ±		CHK T. KUDO 11APR2006		MATERIAL 材料 △		FINISH 仕上 △	
APVD D. MITSUGI 11APR2006		Tyco Electronics Corporation Kawasaki, Japan		NAME 名称 DYNAMIC DI000 SERIES TAB CONTACT Au, S-TYPE L/P			
PRODUCT SPEC 製品規格 108-78268		APPLICATION SPEC 取付適用規格 114-5377		SIZE A4		CAGE CODE 000779	
WEIGHT 0.071 g		CUSTOMER DRAWING		DRAWING NO 番号 C-1903115		RESTRICTED TO	
		SCALE 尺度 7:1		SHEET 1 OF 1		REV B	