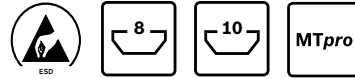
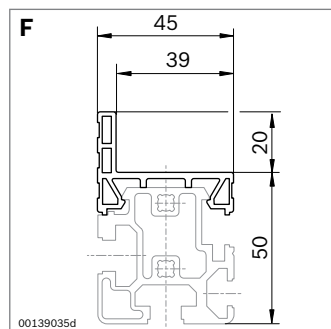
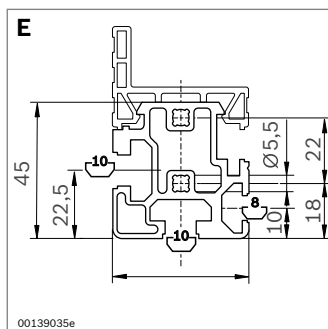
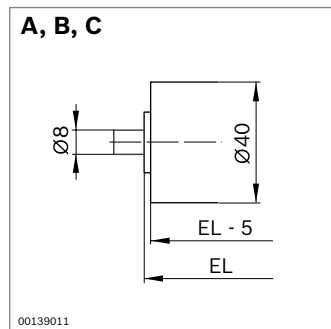
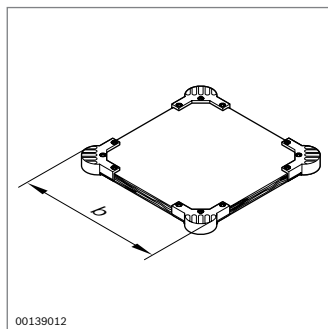
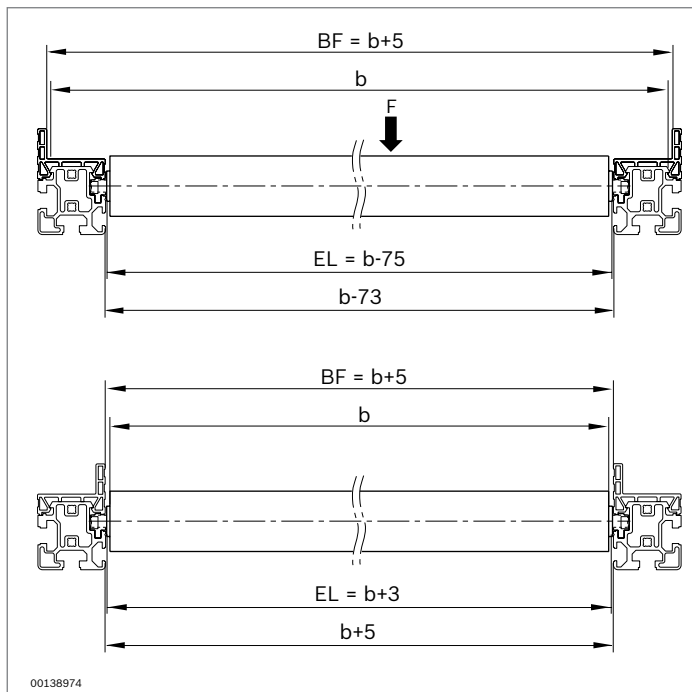
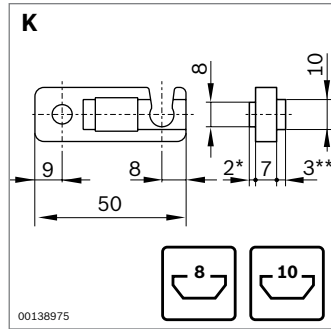
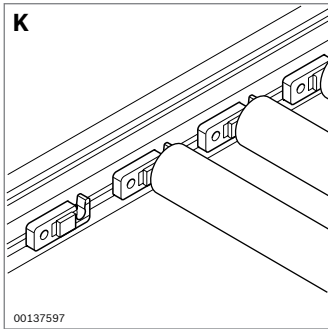


### EcoFlow conveyor track components



- ▶ Section profile with 10 mm groove on underside for mounting on strut profiles
- ▶ Guide profile for clipping to section profile with border on outside or inside. This allows for different conveyor track widths while using the same rollers. Available as ESD-conductive version
- ▶ Roller carrier with defined distances for a maximum of 5 rollers
- ▶ Full-width rollers available in plastic, steel or stainless steel
- ▶ Steel rollers suitable for use in building ESD-conductive conveyor tracks
- ▶ Rail holders for suspending on tubular cross tie: Preferably used in flow rack systems or at workstations for supplying materials in the accessory upright
- ▶ Stop plates suitable for conveyor tracks that are used to manually link workstations, for example



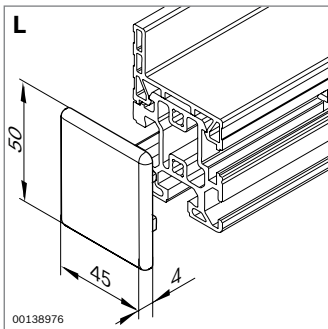
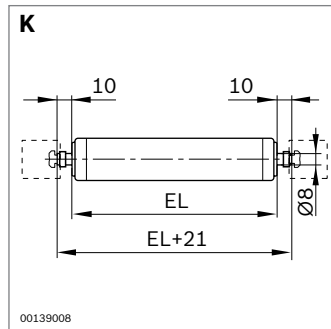
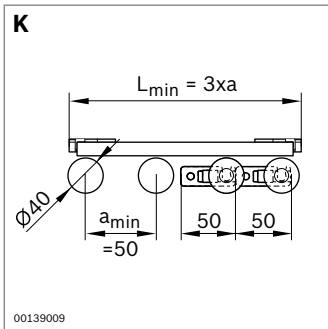


\* 8 mm slot  
\*\* 10 mm slot

**Roller mount (K)**


- For fast and simple construction of conveyor tracks using strut profiles with 8 or 10 mm slot. Can also be used in the 10 mm slot of the EcoFlow section profile
- Suitable for retrofitting rollers without having to disassemble the frame. The roller distance is variable.

Scope of delivery: includes fastening material for 8 or 10 mm slot



**Cap (L)**

- Cap for EcoFlow section profile with guide profile

		No.
<b>K</b> Roller mount, 8 mm slot	10	<b>3 842 535 667</b>
Roller mount, 10 mm slot	10	<b>3 842 535 668</b>
<b>L</b> Cap	20	<b>3 842 525 457</b>