

6.0 mm×3.5 mm Light Touch Switches

Type: **EVQPE**



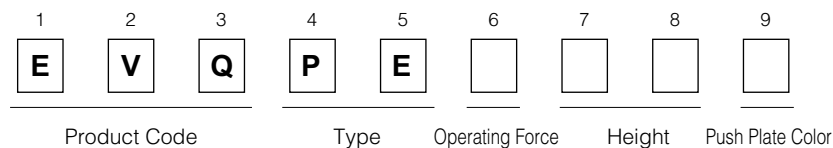
■ Features

- External dimensions : 6.0 mm×3.5 mm, Height 4.3 mm, 5.0 mm
- Wave soldering available

■ Recommended Applications

- Operating switches for other electronic equipment

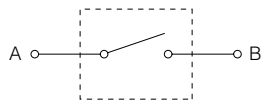
■ Explanation of Part Numbers



■ Product Chart


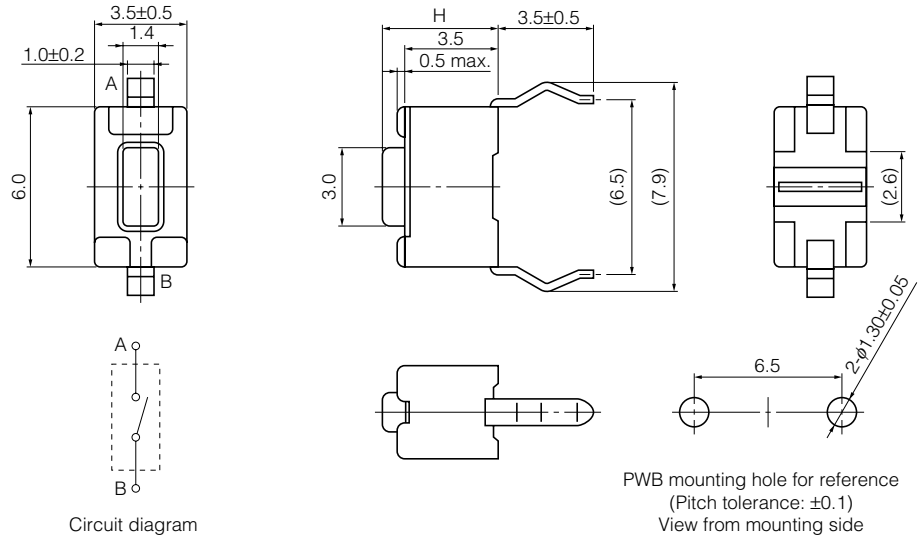
Operating Force	Type	Bulk Type	Height
1.0 N±0.5 N		EVQPE4	H=4.3 mm H=5.0 mm
1.6 N±0.5 N		EVQPE5	
2.4 N±0.6 N		EVQPE6	

■ Specifications

Type	Snap action/Push-on type SPST	
Electrical	Circuit Diagram	
	Rating	10 μA 2 Vdc to 50 mA 12 Vdc (Resistive load)
	Contact Resistance	100 mΩ max.
	Insulation Resistance	100 MΩ min. (at 100 Vdc)
	Dielectric Withstanding Voltage	250 Vac for 1 minute
Mechanical	Bouncing	10 ms max. (ON, OFF)
	Operating Force	1.0 N±0.5N (Low force type) 1.6 N±0.5 N (Standard) 2.4 N±0.6 N
Endurance	Travel	0.25 mm ^{+0.20} / _{-0.10} mm
	Operating Life	50000 cycles min. 30000 cycles min.
Operating Temperature		-30 °C to +85 °C
Storage Temperature		-40 °C to +85 °C (Bulk)
Minimum Quantity/Packing Unit		1000 pcs. Polyethylene Bag (Bulk)
Quantity/Carton		10000 pcs.

Design and specifications are each subject to change without notice. Ask factory for the current technical specifications before purchase and/or use. Should a safety concern arise regarding this product, please be sure to contact us immediately.

■ Dimensions in mm (not to scale)

<p>EVQPE4 EVQPE5 EVQPE6</p> <p>(Bulk)</p> 	 <p>Circuit diagram</p> <p>PWB mounting hole for reference (Pitch tolerance: ±0.1) View from mounting side</p>			
Part Numbers	Operating Force	H=Height	Push Plate Color	Operating Life
EVQPE404Q	1.0 N	4.3 mm	Grey	50000 cycles
EVQPE405Q	1.0 N	5.0 mm	Grey	50000 cycles
EVQPE504K	1.6 N	4.3 mm	Black	50000 cycles
EVQPE505K	1.6 N	5.0 mm	Black	50000 cycles
EVQPE604T	2.4 N	4.3 mm	Brown	30000 cycles
EVQPE605T	2.4 N	5.0 mm	Brown	30000 cycles