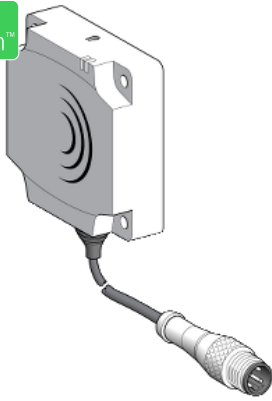


Product datasheet

Specifications



inductive sensor XS8 80x80x26 - PBT - Sn60mm - 24..240VAC/DC - 1/2"

XS8D1A1MAU20DIN

! Discontinued on: 01 November 2020

! Discontinued

XS8D1A1MAU20DIN has not been replaced. Please contact your customer care centre for more information.

Main

| | |
|------------------------------------|----------------------------------------------------|
| Range of product | Telemecanique Inductive proximity sensors XS |
| Series name | General purpose |
| Sensor type | Inductive proximity sensor |
| Device application | - |
| Sensor name | XS8 |
| Sensor design | Flat form 80 x 80 x 26 |
| Size | 40 mm |
| Body type | Fixed clippable onto DIN rail |
| Detector flush mounting acceptance | Non flush mountable |
| Material | Plastic |
| Enclosure material | PBT |
| Type of output signal | Discrete |
| Wiring technique | 2-wire |
| [Sn] nominal sensing distance | 40 mm flush mountable 60 mm non flush mountable |
| Discrete output function | 1 NO |
| Output circuit type | AC/DC |
| Electrical connection | Male connector 1/2"20 UNF, 3 pins |
| [Us] rated supply voltage | 24...240 V AC/DC 50/60 Hz |
| Switching capacity in mA | 5...200 mA DC 5...300 mA AC |
| IP degree of protection | IP67 double insulation conforming to IEC 60529 |

Complementary

| | |
|----------------------|--------------------------------------------------------------|
| Detection face | Frontal |
| Front material | PBT |
| Fine adjustment zone | 20...40 mm flush mountable 20...60 mm non flush mountable |
| Differential travel | 1...15% of Sr |

| | |
|--------------------------|-------------------|
| Supply voltage limits | 20...264 V AC/DC |
| Maximum residual current | 1.5 mA open state |
| Switching frequency | <= 150 Hz |
| Maximum voltage drop | <5.5 V (closed) |
| Current consumption | <= 10 mA no-load |
| Maximum delay first up | 15 ms |
| Maximum delay response | 0.3 ms |
| Maximum delay recovery | 6 ms |
| Marking | CE |
| Depth | 40 mm |
| Height | 80 mm |
| Width | 80 mm |

Environment

| | |
|---------------------------------------|-------------------------------------------------------------------------|
| Product certifications | CCC CSA UL |
| Ambient air temperature for operation | -25...70 °C |
| Ambient air temperature for storage | -40...85 °C |
| Vibration resistance | 25 gn amplitude = +/- 2 mm (f = 10...55 Hz) conforming to IEC 60068-2-6 |
| Shock resistance | 50 gn for 11 ms conforming to IEC 60068-2-27 |

Packing Units

| | |
|------------------------------|----------|
| Unit Type of Package 1 | PCE |
| Number of Units in Package 1 | 1 |
| Package 1 Weight | 434.0 g |
| Package 1 Height | 4.2 cm |
| Package 1 width | 9.5 cm |
| Package 1 Length | 13 cm |
| Unit Type of Package 2 | S01 |
| Number of Units in Package 2 | 11 |
| Package 2 Weight | 4.999 kg |
| Package 2 Height | 15 cm |
| Package 2 width | 15 cm |
| Package 2 Length | 40 cm |

Offer Sustainability

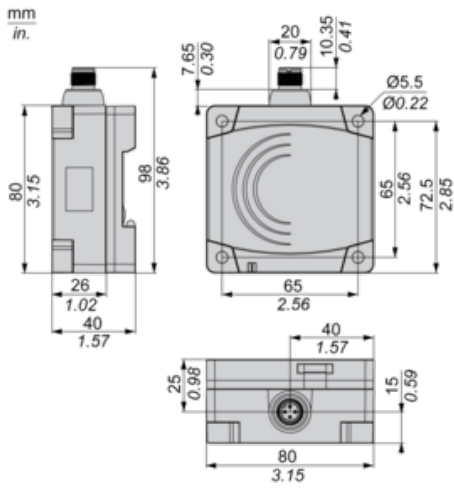
| | |
|----------------------------|---------------------------------------------------------------------------------------------------|
| Sustainable offer status | Green Premium product |
| REACH Regulation | REACH Declaration |
| EU RoHS Directive | Pro-active compliance (Product out of EU RoHS legal scope) EU RoHS Declaration |
| Mercury free | Yes |
| RoHS exemption information | Yes |
| Environmental Disclosure | Product Environmental Profile |

Contractual warranty

Warranty

18 months

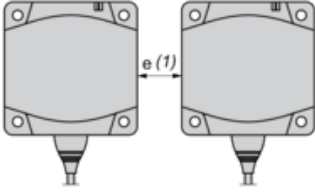
Dimensions



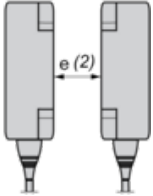
Setting-up

Minimum Mounting Distances (mm)

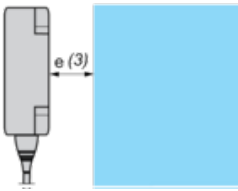
Side by Side



Face to Face



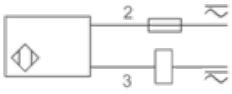
Facing a Metal Object



| | e (1) | e (2) | e (3) |
|-------------------|-------|-----------------|-------|
| Flush mounted | 200 | 400 | 40 |
| Not flush mounted | 600 | not recommended | |

Wiring Schemes

2-Wire NO Output



1/2"-20UNF

