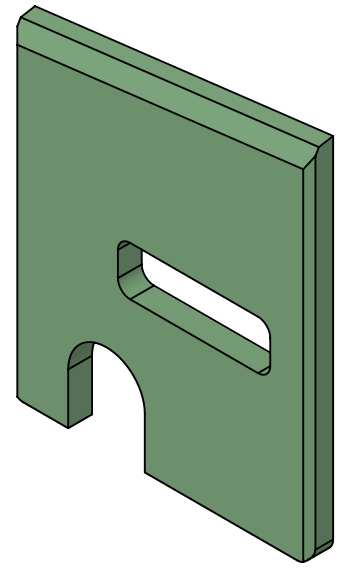
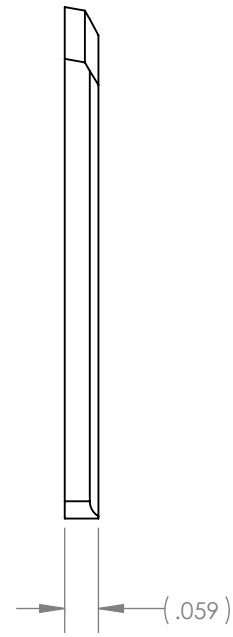
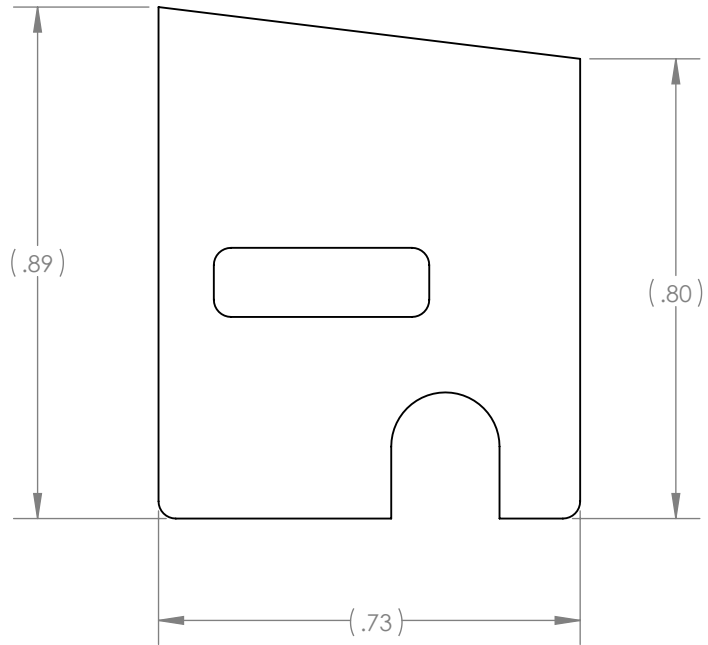


SW



Revision level			Revision Record	Changed	Date	Approved	Date
Drawing	State	Part					
00.0	Design Release		SEE ECN# 300341	AMS	08/14/2018	MRG	08/14/2018



REPLACES DRAWING TS2077410CST

Material STEEL	Units: inches	The copyright of this drawing is reserved by HellermannTyton. It is issued on condition that it is not reproduced, copied, or disclosed to a third party, either wholly or in part, without the consent of HellermannTyton.	Drawn	AMS	08/14/2018	Article/Type-No	110-95273	Scale	3:1
	Dimension without tolerances details to: .xxxx = ±.0005 .xxx = ±.005 .xx = ±.01 .x = ±.03 None = ±.06 ∠ = ±0.5° Dimension Formatted in [mm]		Approved	MRG	08/14/2018	Title	MK9SST BLADE	Project Number	PRP 2077
	<p>North America Email: corp@htamericas.com Web: www.hellermann.tyton.com</p>			Drawing-No	Production : Phase		Format	AH	
				2077-410-CSU		Sheet	1/1		