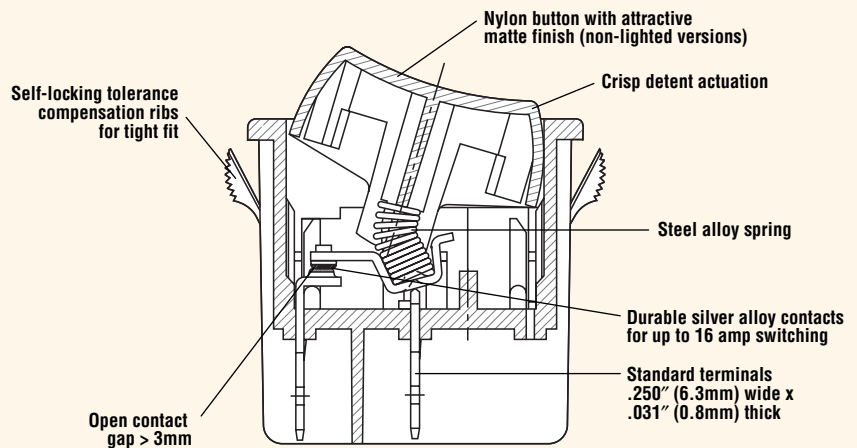


## DOUBLE-POLE POWER ROCKER SWITCH

# WR Series

### Features

- Rugged construction for 2-pole, high-current applications
- Lighted and non-lighted
- Maintained-action and momentary
- Single-throw and double-throw
- Available in a variety of colors
- Mechanical life: min. 50,000 operations



### Electrical Ratings

| Switch Series | EN61058 Rating          | UL1054 Rating                           | Electrical Life at Rated Load      |                                   |
|---------------|-------------------------|---|------------------------------------|-----------------------------------|
|               |                         |   | According to VDE (Min. Operations) | According to UL (Min. Operations) |
| WR            | 16(4)A, 250V~, T125 1E4 | 16A, 125/250VAC; 1/4HP@125V; 3/4HP@250V | 10,000                             | 6,000                             |

### Specifications

#### Electrical

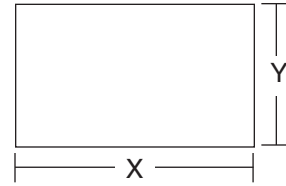
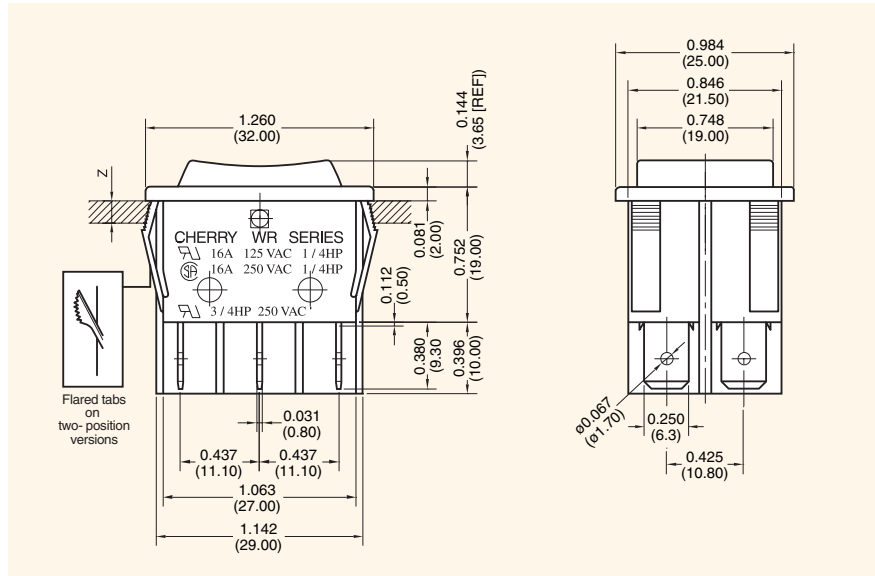
|                             |                                    |
|-----------------------------|------------------------------------|
| Dielectric Strength:        | 1000VAC for 1 minute               |
| Insulation Resistance:      | 10 <sup>9</sup> ohms min at 500VDC |
| Initial Contact Resistance: | 0.020 ohms max                     |
| Temperature Rating:         | -20°C to +65°C                     |

#### Materials

|                         |                            |
|-------------------------|----------------------------|
| Actuator (non-lighted): | Nylon 66 94V-2             |
| Actuator (lighted):     | Polycarbonate              |
| Case:                   | Nylon 66 94V-2             |
| Spring:                 | Steel Wire                 |
| Contacts:               | Silver Alloy               |
| Movable Arm:            | Silver-Plated Copper Alloy |
| Terminals:              | Tin-Plated Copper Alloy    |



### Dimensions inches (mm)



Z = Panel Thickness

### Recommended Panel Cut-Out Dimensions

| Dim. Z                           | Dim. X           | Dim. Y           |
|----------------------------------|------------------|------------------|
| 0.030 to 0.049<br>(0.75 to 1.25) | 1.180<br>(30.00) | 0.867<br>(22.02) |
| 0.049 to 0.079<br>(1.25 to 2.00) | 1.190<br>(30.25) | 0.867<br>(22.02) |
| 0.079 to 0.118<br>(2.00 to 3.00) | 1.200<br>(30.48) | 0.867<br>(22.02) |

### Examples of Common Part Numbers and Descriptions inches (mm)

| Part Number  | Circuitry | Switch Function  | Terminal Type                | Actuator/<br>Housing Color | Legend Marking |
|--------------|-----------|------------------|------------------------------|----------------------------|----------------|
| WRG32F2FBBNN |           | On - Off         | 0.250 (6.3)<br>Quick-Connect | Black/Black                |                |
| WRG34F2HBBNN |           | On - Off - On    | 0.250 (6.3)<br>Quick-Connect | Black/Black                |                |
| WRG32F2BBRLN |           | On - Off/Lighted | 0.250 (6.3)<br>Quick-Connect | Red/Black                  |                |

Boot #0015-0646

### Ordering Information

|                     |  |  |   |   |  |   |   |               |                    |
|---------------------|--|--|---|---|--|---|---|---------------|--------------------|
| <b>WR</b><br>Series | <b>G</b><br>Code<br>16A, 125/250VAC: 1/4HP@125V:<br>3/4HP@250V (UL)<br>16A, 125/250VAC:<br>1/4HP@125/250VAC (CSA)<br>16(4)A, 250V~, T125 1E4 (VDE) | <b>3</b><br>Code<br>2 Single-Pole<br>3 Double-Pole | <b>2</b><br>Code<br>2 On - Off<br>3 On - On<br>4 On - Off - On<br>5 (On) - Off<br>6 (On) - On<br>7 (On) - Off - (On)<br>8 (On) - Off - On | <b>F 2</b><br>Code<br>2 Curve<br>5 Flat Actuator<br>7 Curve - Dual Actuator | <b>F B</b><br>Code<br>E Charcoal Grey<br>Y Grey<br>B Black<br>W White<br>C Brown | <b>B N</b><br>Code<br>N Non-Lighted<br>L Lighted (Bulb 125VAC)<br>E Lighted (Bulb 250VAC)<br>F Lighted 5VDC Incandescent<br>G Lighted 6VDC Incandescent<br>H Lighted 12VDC Incandescent | <b>N</b><br>Code<br>N No Rocker Boot<br>S Rocker Boot |               |                    |
| <b>Code</b>         | <b>Contact Rating</b>  | <b>Code</b>  | <b>Switch Function</b>  | <b>Code</b>   | <b>Actuator Marking</b>  | <b>Code</b>   | <b>Lighted</b>  | <b>Code</b>   | <b>Splashproof</b> |
| <b>Code</b>         | <b>Terminal Type inches (mm)</b>   |  |   |   |  | <b>Code</b>   | <b>Actuator Color</b>                                 |               |                    |
| A                   | 0.187 (4.8) QC   |  |   |   | B  | Blank   | Y   | Grey          |                    |
| F                   | 0.250 (6.3) QC   |  |   |   | C  |   | B   | Black         |                    |
| S                   | 0.250 (6.3) M3 Tapped Screw  |  |   |   | D  |   | G   | Green         |                    |
| T                   | 0.250 (6.3) Solder Tag   |  |   |   | E  |   | A   | Amber         |                    |
|                     |  |  |   |   | F  |   | R   | Red           |                    |
|                     |  |  |   |   | G  |   | W   | White         |                    |
|                     |  |  |   |   | H  |   | C   | Brown         |                    |
|                     |  |  |   |   |  |   | E   | Charcoal Grey |                    |