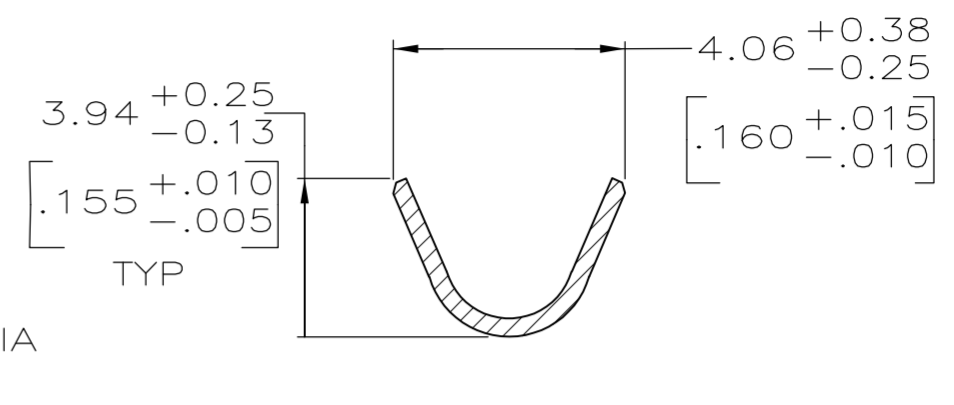
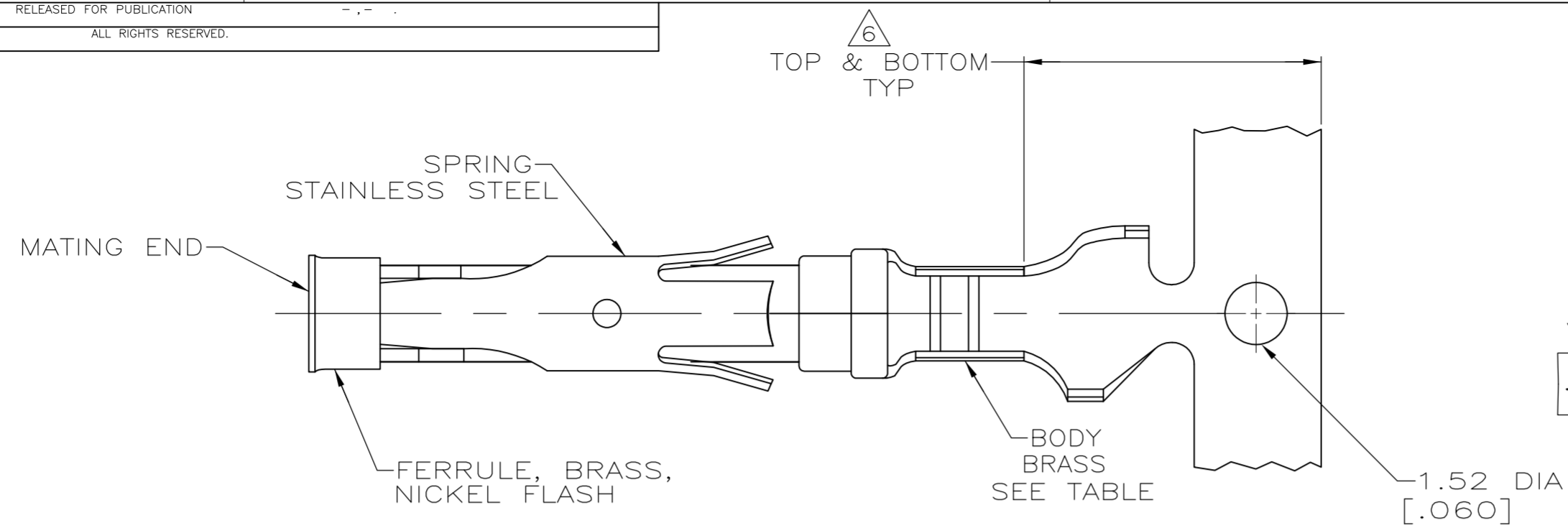
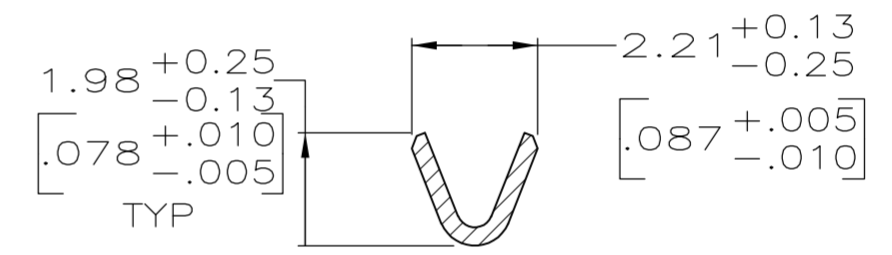
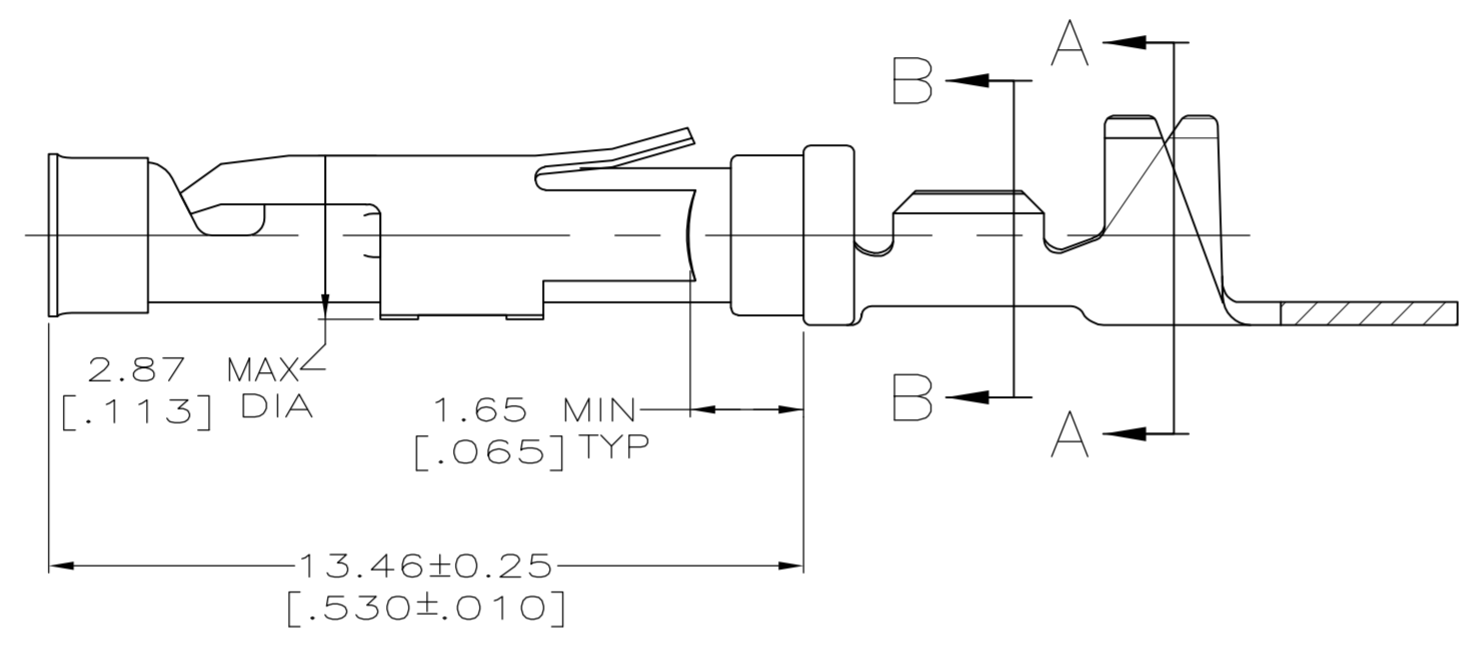
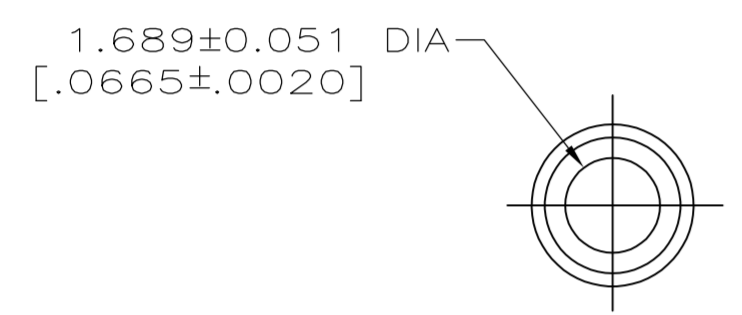


THIS DRAWING IS UNPUBLISHED. RELEASED FOR PUBLICATION  
 © COPYRIGHT - By - ALL RIGHTS RESERVED.

LOC		DIST		REVISIONS			
P	LTR	DESCRIPTION		DATE	DWN	APVD	
	R1	REVISED PER ECO-11-004917		11MAR11	RK	HMR	



SECTION A-A



SECTION B-B

- ① 0.76µm [.000030] MIN GOLD PER MIL-G-45204 ON MATING END FOR A LENGTH OF 5.08 [.200] MIN WITH GOLD FLASH ON THE REMAINDER OVER 0.76µm [.000030] MIN NICKEL PER QQ-N-290.
- ② 1.27µm [.000050] MIN TIN-LEAD PER MIL-T-10727 OVER 0.76µm [.000030] MIN NICKEL PER QQ-N-290.
- ③ 0.76µm [.000030] MIN GOLD PER MIL-G-45204 ON MATING END FOR A LENGTH OF 5.08 [.200] MIN WITH A UNIFORM GRADIENT TO 0.25µm [.000010] MIN GOLD PER MIL-G-45204 ON THE REMAINDER OVER 0.76µm [.000030] MIN NICKEL PER QQ-N-290.
- ④ 0.38µm [.000015] MIN GOLD PER MIL-G-45204 ON MATING END FOR A LENGTH OF 5.08 [.200] MIN WITH GOLD FLASH ON THE REMAINDER OVER 0.76µm [.000030] MIN NICKEL PER QQ-N-290.
- ⑤ 1.27µm [.000050] MIN GOLD PER MIL-G-45204 ON MATING END FOR A LENGTH OF 5.08 [.200] MIN WITH GOLD FLASH ON REMAINDER OVER 3.81µm [.000150] MIN NICKEL PER QQ-N-290.
- ⑥ GOLD PLATING NEED NOT APPEAR IN THIS AREA.
- ⑦ REVERSE REELED FOR MINI-APPLICATOR.
- ⑧ WIRE RANGE 24-20 AWG. INSULATION RANGE 1.52 [.060]-3.05 [.120].
- ⑨ 0.38µm [.000015] MIN GOLD PER MIL-G-45204 ON MATING END FOR A LENGTH OF 5.08 [.200] MIN, 1.27µm [.000050] MIN TIN-LEAD PER MIL-T-10727 FOR A LENGTH OF 5.69 [.224] MIN ON OPPOSITE END, BOTH OVER 1.27µm [.000050] MIN NICKEL PER QQ-N-290 ON ENTIRE CONTACT.
- ⑩ 1.27µm [.000050] MIN TIN PER MIL-T-10727 OVER 0.76µm [.000030] MIN NICKEL PER QQ-N-290.
- ⑪ 1.27 m [.000050] MIN TIN PER MIL-T-10727 OVER 0.76 m [.000030] MIN NICKEL PER QQ-N-290.

	66565-7	⑦	⑩	1-66563-1
OBSOLETE	66565-5	⑦	⑨	1-66563-0
OBSOLETE	-	⑦	⑤	66563-9
	66565-4	⑦	①	66563-8
OBSOLETE	66565-3	⑦	④	66563-7
	66565-2	⑦	②	66563-6
	66565-1	⑦	③	66563-5
	66565-4	STANDARD	①	66563-4
	66565-1	STANDARD	③	66563-1
	LOOSE PIECE REF	REELING	BODY FINISH	PART NO

THIS DRAWING IS A CONTROLLED DOCUMENT.		DWN R.SHIREY 8-7-91	<b>TE</b> TE Connectivity	
DIMENSIONS: INCHES		CHK R.STONE 9-19-91		
TOLERANCES UNLESS OTHERWISE SPECIFIED:		APVD J.WESTMAN 9-20-91	NAME SOCKET ASSEMBLY, .062, TYPE III+	
0 PLC ± -		PRODUCT SPEC	SIZE A2 CAGE CODE 00779 DRAWING NO C=66563	
1 PLC ± -		APPLICATION SPEC	RESTRICTED TO	
2 PLC ± 0.13 [.005]			SCALE 8:1 SHEET 1 of 1 REV R1	
3 PLC ± -				
4 PLC ± -				
ANGLES ± -				
FINISH SEE CALLOUTS		WEIGHT -		
MATERIAL SEE CALLOUTS		CUSTOMER DRAWING		