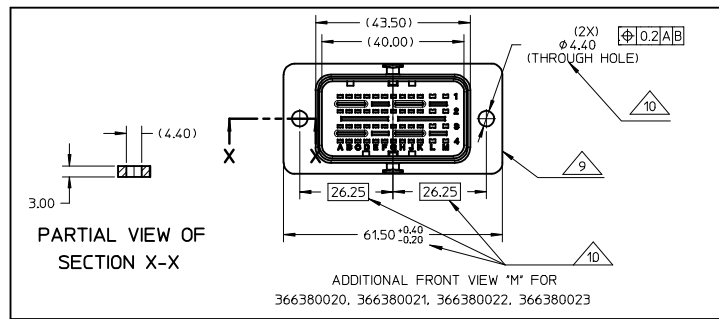
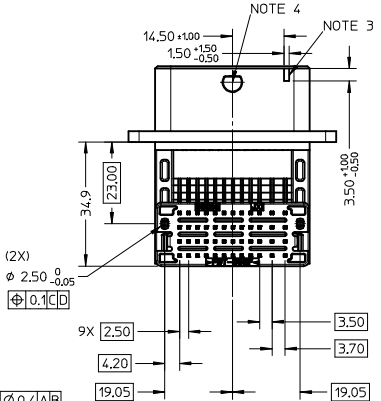
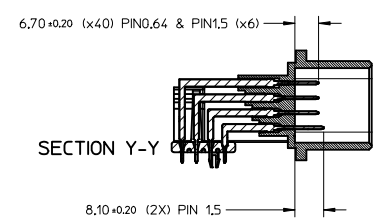
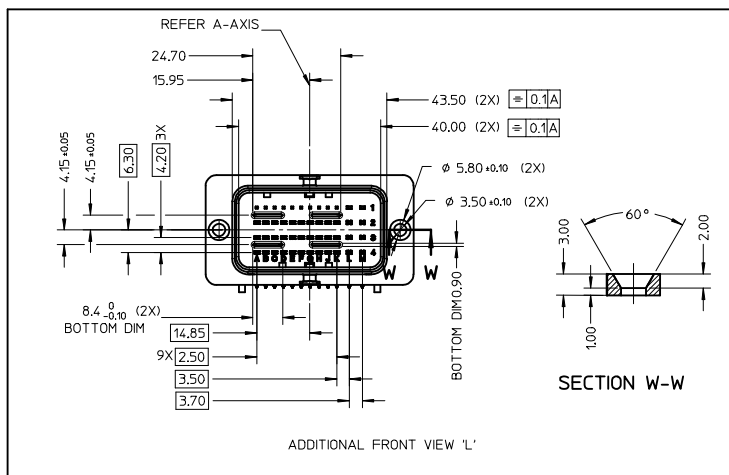
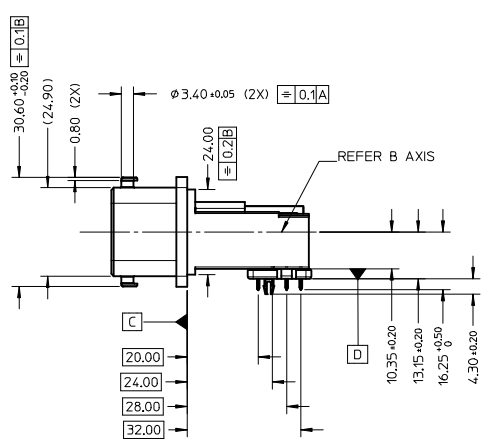
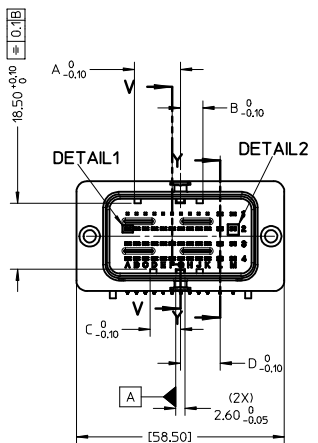
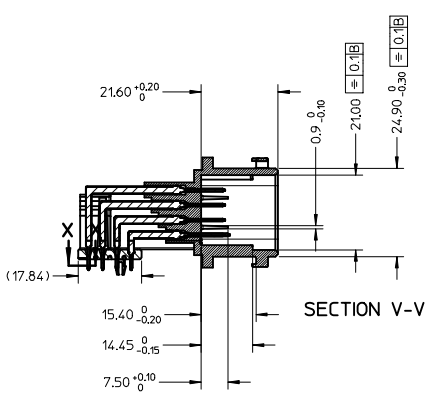
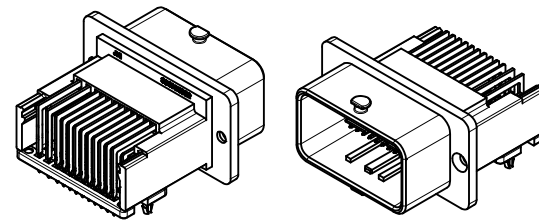
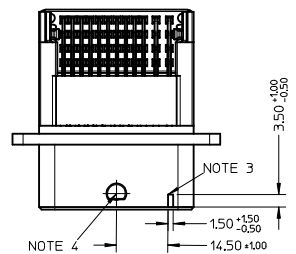
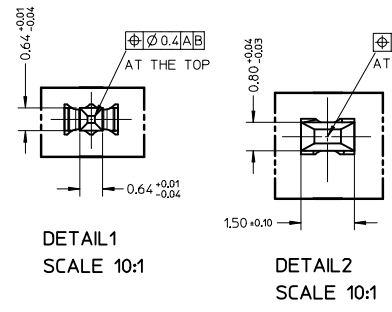


| | | | | |
|--------|--------------------------|-------------|-------------------------|-------------------------------------|
| 4 | 1 | GRID PLATE | PBT 30% GLASS FILLED | BLACK |
| 3 | 1 | HOUSING | | BLACK |
| 2 | SEE SHEET 2 TABLE 'A' | 1.5 | CuZn30 | NICKEL UNDERCOAT: 1.3µM TO 2.2µM |
| 1 | SEE SHEET 2 TABLE 'A' | 0.64 | CuZn30 | MATTE TIN OVERCOAT: 4µM TO 5µM |
| SL NO. | QTY | DESIGNATION | MATERIAL | FINISH |



| | | |
|-----------|-----------|-----------|
| D | 6.30 | 12.90 |
| C | 8.50 | 12.90 |
| B | 6.30 | 10.70 |
| A | 12.90 | 8.50 |
| DIMENSION | 366380002 | 366380003 |
| | 366380004 | 366380005 |
| | 366380006 | 366380007 |
| | 366380008 | 366380009 |
| | 366380020 | 366380021 |
| | 366380022 | 366380023 |
| | (BLACK) | (BROWN) |
| | MOLEX PN | |

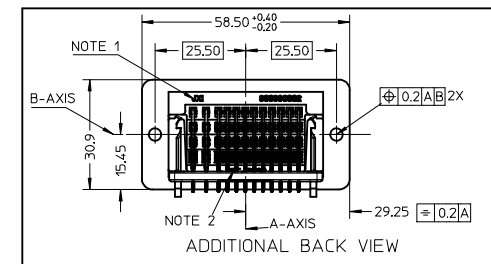
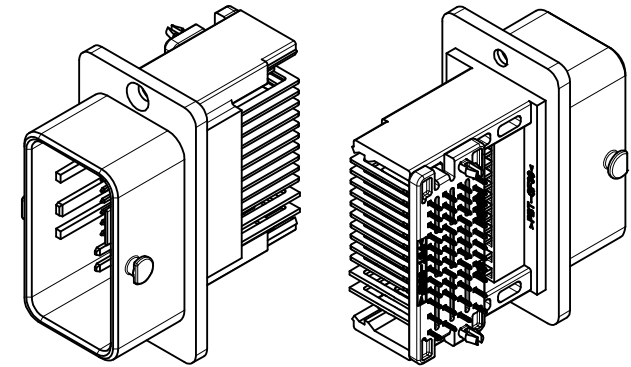


RoHS COMPLIANT

| | | | | | | | | | |
|---|-------------------------------|---|--|-----------------------------------|---------------------------|---|-------------------------------|------------------------|--|
| TOLERANCE UPDATED EC NO: I2015-0110 DRWN: VUTTARKAR 2015/02/11 CHKD: APPR: KRASAD 2015/03/02 13 | QUALITY SYMBOLS ▽=0 ▽=0 | GENERAL TOLERANCES (UNLESS SPECIFIED) | | DIMENSION STYLE MM ONLY | | SCALE 1:1 | DESIGN UNITS METRIC | THIRD ANGLE PROJECTION | |
| | | 4 PLACES ± --- ± --- 3 PLACES ± --- ± --- 2 PLACES ± 0.1 ± --- 1 PLACE ± 0.2 ± --- | mm INCH ± --- ± --- ± 0.1 ± --- ± 0.2 ± --- | DRAWN BY ROOPESH | DATE 08/05/2006 | TITLE CMC HEADER 48/48WAY AND 48/36WAY T3 INTERFACE | | | |
| | | DRAFT WHERE APPLICABLE MUST REMAIN WITHIN DIMENSIONS | | CHECKED BY DINESH | DATE 08/05/2006 | MOLEX INCORPORATED | | | |
| | | MATERIAL NO. SEE TABLE 'A' | | APPROVED BY DINESH | DATE 08/05/2006 | DOCUMENT NO. SD-36638-002 | SHEET NO. 1 OF 3 | | |

TABLE 'A'

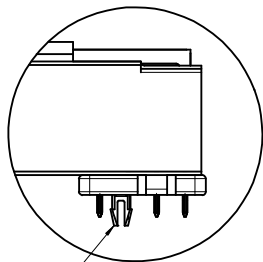
| | | | | | | | | |
|-----------------|---|---------------|---------------------------|---------------------------------|-------------|------|-----------------|--|
| ASSY CMC HEADER | ASSY CMC 48 WAY 48 CKT (THROUGH HOLE) SEE ADDITIONAL FRONT VIEW "M" | 366380020 | BLACK | AVAILABLE (SEE VIEW 'A') | 1.6 | 1.5 | 8 | L1 & M1,L2 & M2 L3 & M3,L4 & M4 |
| | | 366380021 | BROWN | | | | | A1 TO H1,J1 AND K1 A2 TO H2,J2 AND K2 A3 TO H3,J3 AND K3 A4 TO H4,J4 AND K4 |
| | | 366380022 | BLACK | NOT AVAILABLE (SEE VIEW 'B') | 0.8/1.6/2.0 | 0.64 | 40 | |
| | | 366380023 | BROWN | | | | | |
| | ASSY CMC 48 WAY 48 CKT (COUNTER SINK) SEE ADDITIONAL FRONT VIEW "L" | 366380002 | BLACK | AVAILABLE (SEE VIEW 'A') | 1.6 | 1.5 | 8 | L1 & M1,L2 & M2 L3 & M3,L4 & M4 |
| | | 366380003 | BROWN | | | | | A1 TO H1,J1 AND K1 A2 TO H2,J2 AND K2 A3 TO H3,J3 AND K3 A4 TO H4,J4 AND K4 |
| | | 366380004 | BLACK | NOT AVAILABLE (SEE VIEW 'B') | 0.8/1.6/2.0 | 0.64 | 40 | |
| | | 366380005 | BROWN | | | | | |
| | ASSY CMC 48 WAY 36 CKT (COUNTER SINK) SEE ADDITIONAL FRONT VIEW "L" | 366380006 | BLACK | AVAILABLE (SEE VIEW 'A') | 1.6 | 1.5 | 6 | L2 & M2 L3 & M3,L4 & M4 |
| | | 366380007 | BROWN | | | | | A2 TO H2,J2 AND K2 A3 TO H3,J3 AND K3 A4 TO H4,J4 AND K4 |
| | | 366380008 | BLACK | NOT AVAILABLE (SEE VIEW 'B') | 0.8/1.6/2.0 | 0.64 | 30 | |
| | | 366380009 | BROWN | | | | | |
| DESIGNATION | MOLEX PN | CODING COLOUR | PCB LOCKING ON GRID PLATE | FOR PCB OF THICKNESS | SPEC | QTY | CAVITIES NUMBER | |
| | | | | | PIN | | | |



NOTES :

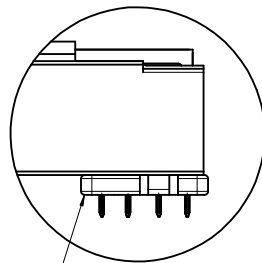
1. AREA FOR JXI AND MOLEX PART NUMBER REPRESENTATION
2. AREA FOR PLASTIC MATERIAL >PBT-30%GF< DESCRIPTION
3. PAINT WITH WHITE COLOR (RoHS COMPLIANT) AT SPECIFIED TWO AREAS
4. PAINT WITH BROWN COLOR (RoHS COMPLIANT) AT SPECIFIED AREA ON BOTH SIDE FOR PN: 366380003,366380005, 366380007,366380009, 366380021, 366380023.
5. PART TO MEET SOLDERABILITY SPEC SMES-152
6. PACKAGING SPECIFICATION:PK-36638-001.
7. PCB SOLDER HOLE SIZE IS DIA 1.1(+0.10/-0.05) FOR THE TERMINALS
8. MANUAL/WAVE SOLDER COMPATIBLE.
9. FOR OTHER DIMENSION(S) REFER REMAINING VIEWS IN THE DRAWING
10. THESE DIMENSIONS IS FOR 366380020, 366380021, 366380022, 366380023 PART NO'S ONLY.
11. 366380020, 366380021, 366380022, 366380023 WILL COMPLY TO VIEW "M". OUT OF WHICH 366380020 AND 366380022 ARE TOOLED AND 366380021, 366380023 ARE NOT TOOLED.

VIEW 'A'

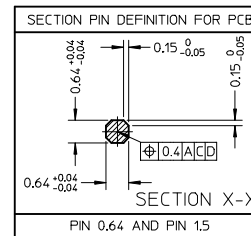


GRID PLATE WITH PCB LOCKING

VIEW 'B'

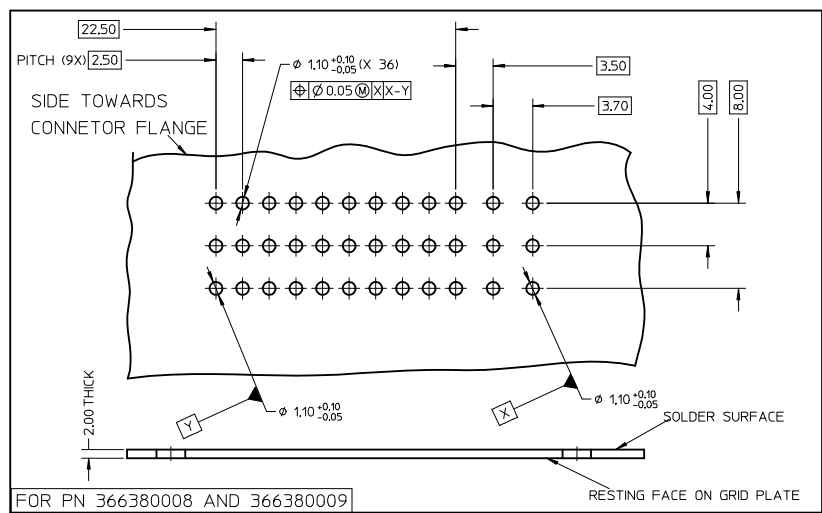
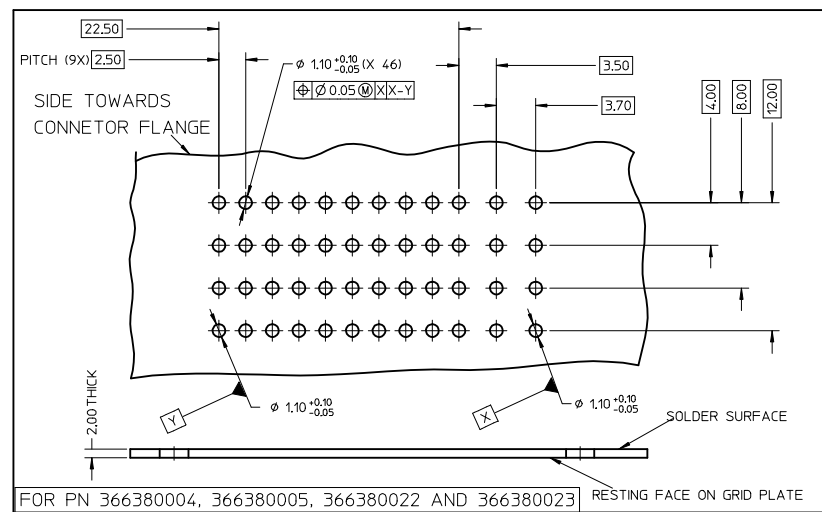
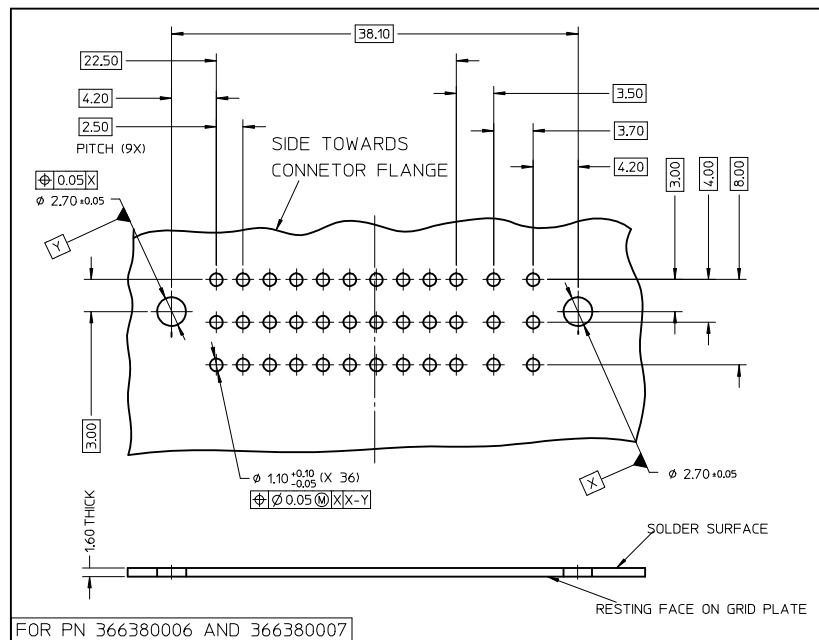
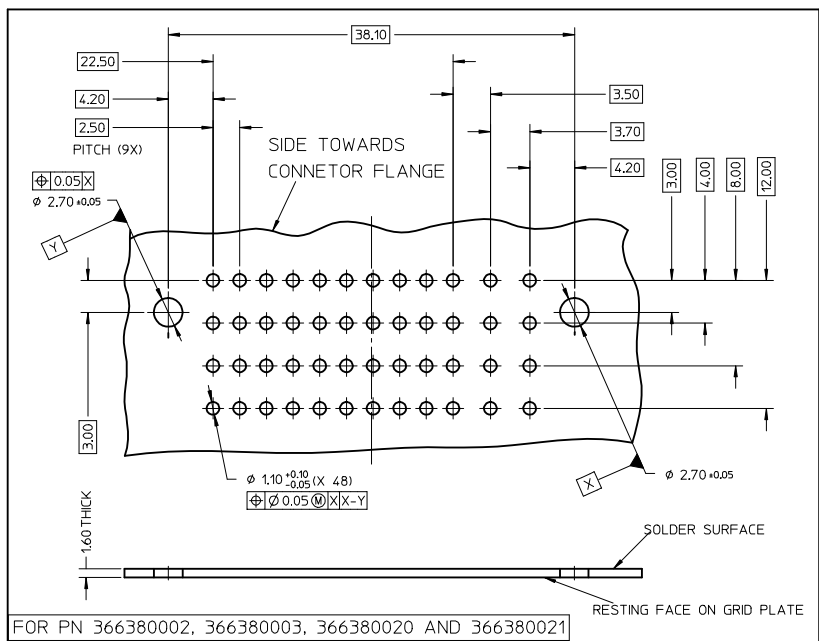


GRID PLATE WITHOUT PCB LOCKING

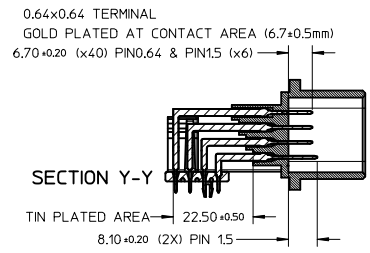
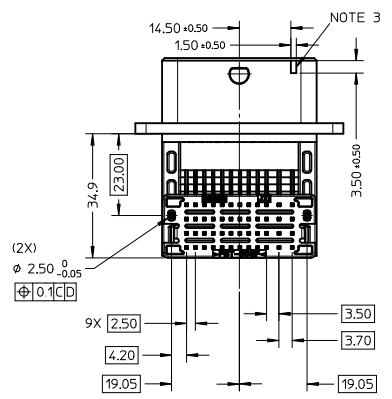
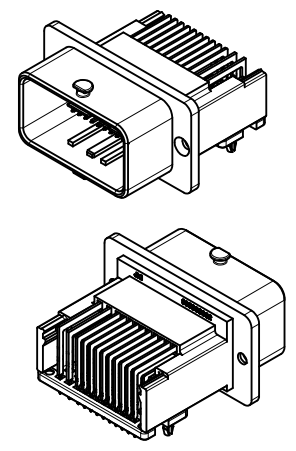
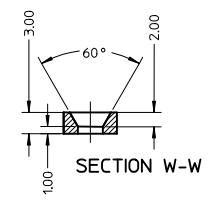
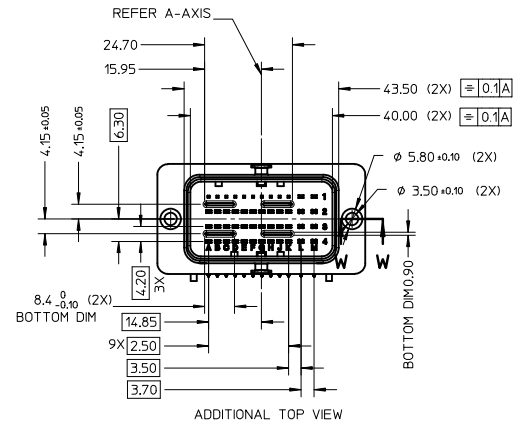
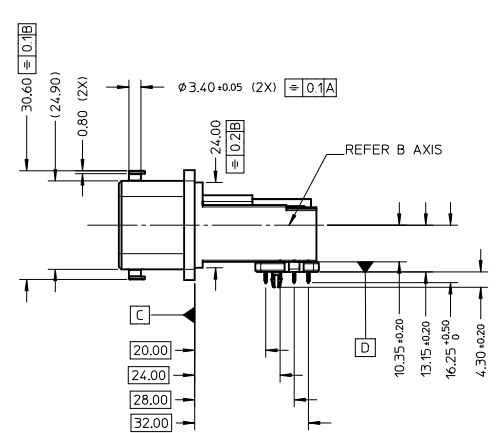
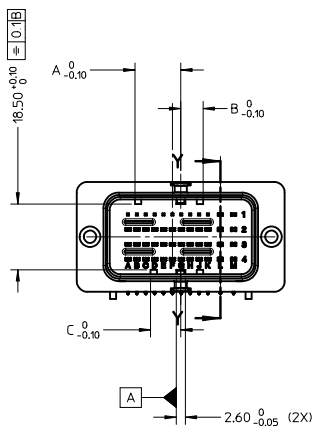


| | | | | | | | | | |
|---|-------------------------------|---------------------------------------|----------------------|--|--------------------|--|-------------------------------|------------------------------|---------------------|
| ENTER DESCRIPTION EC NO: 12015-0110 DRWN:WUTTARKAR 2015/02/11 CHKD: APPR:KPRASAD 2015/03/02 | QUALITY SYMBOLS ▽=0 ▽=0 | GENERAL TOLERANCES (UNLESS SPECIFIED) | | DIMENSION STYLE MM ONLY | | SCALE 1:1 | DESIGN UNITS METRIC | THIRD ANGLE PROJECTION | |
| | | m/m | INCH | DRAWN BY RUPESH | DATE 08/05/2006 | TITLE CMC HEADER 48/48WAY AND 48/36WAY T3 INTERFACE | MATERIAL NO. SEE TABLE 'A' | DOCUMENT NO. SD-36638-002 | SHEET NO. 2 OF 3 |
| | | 4 PLACES ± --- ± --- | 3 PLACES ± --- ± --- | CHECKED BY DINESH | DATE 08/05/2006 | | | | |
| | | 2 PLACES ± 0.1 ± --- | 1 PLACE ± 0.2 ± --- | APPROVED BY DINESH | DATE 08/05/2006 | | | | |
| DRAFT WHERE APPLICABLE MUST REMAIN WITHIN DIMENSIONS | | ANGULAR ± 1° | | THIS DRAWING CONTAINS INFORMATION THAT IS PROPRIETARY TO MOLEX INCORPORATED AND SHOULD NOT BE USED WITHOUT WRITTEN PERMISSION | | | | | |

INTERFACE PCB DEFINITION (SOLDER SIDE)



| | | | | | | | |
|--|-------------------------------|---|---|-------------------------------|---|------------------------|------------------------|
| ENTER DESCRIPTION EC NO: 12015-0110 DRWN: VUTARKAR 2015/02/11 CHKD: APPR: KRASAD 2015/03/02 13 | QUALITY SYMBOLS ▽=0 ▽=0 | GENERAL TOLERANCES (UNLESS SPECIFIED) mm INCH | | DIMENSION STYLE MM ONLY | SCALE 1:1 | DESIGN UNITS METRIC | THIRD ANGLE PROJECTION |
| | | 4 PLACES ± --- ± --- 3 PLACES ± --- ± --- 2 PLACES ± 0.1 ± --- 1 PLACE ± 0.2 ± --- ANGULAR ± 1° | DRAWN BY ROOPESH 08/05/2006 CHECKED BY DINESH 08/05/2006 APPROVED BY DINESH 08/05/2006 | DATE TITLE DOCUMENT NO. | CMC HEADER 48/48WAY AND 48/36WAY T3 INTERFACE MOLEX INCORPORATED SD-36638-002 | SHEET NO. 3 OF 3 | |
| DRAFT WHERE APPLICABLE MUST REMAIN WITHIN DIMENSIONS | | THIS DRAWING CONTAINS INFORMATION THAT IS PROPRIETARY TO MOLEX INCORPORATED AND SHOULD NOT BE USED WITHOUT WRITTEN PERMISSION | | | | | |

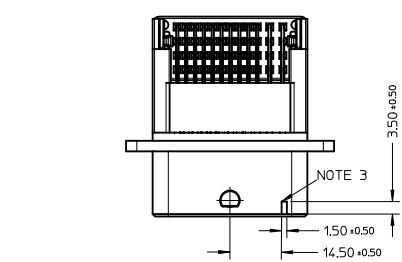


0.64x0.64 TERMINAL
GOLD PLATED AT CONTACT AREA (6.7+0.5mm)
6.70+0.20 (x4) PIN0.64 & PIN1.5 (x6)

| | | |
|-----------|-------|-----------|
| D | 6.30 | 366380013 |
| C | 8.50 | & |
| B | 6.30 | 366380019 |
| A | 12.90 | (BLACK) |
| DIMENSION | | MOLEX PN |

| | | | | | |
|--------|-----------------------------|----------------------|---|----|----|
| 5 | GRID PLATE WITHOUT PCB LOCK | PBT 30% GLASS FILLED | BLACK | 0 | 1 |
| 4 | GRID PLATE WITH PCB LOCK | | BLACK | 1 | 0 |
| 3 | HOUSING | | BLACK | 1 | 1 |
| 2 | 1.5 | CuZn30 | NICKEL UNDERCOAT: 1.3µM TO 2.2µM | 6 | 6 |
| 1 | 0.64 | CuZn30 | OVERCOAT:SELECTIVE GOLD 1.27µM Min & MATTE TIN 4µM TO 5µM | 30 | 30 |
| SL NO. | DESIGNATION | MATERIAL | FINISH | | |

| | |
|-----------|-----------|
| 366380013 | 366380019 |
| BOM QTY | |



RoHS COMPLIANT

THIRD ANGLE PROJECTION

QUALITY SYMBOLS

GENERAL TOLERANCES (UNLESS SPECIFIED)

| | mm | INCH |
|----------|--------|---------|
| 4 PLACES | ± 0.15 | ± 0.006 |
| 3 PLACES | ± 0.20 | ± 0.008 |
| 2 PLACES | ± 0.25 | ± 0.010 |
| 1 PLACE | ± 0.30 | ± 0.012 |

ANGULAR ±1/2°

DRAFT WHERE APPLICABLE MUST REMAIN WITHIN DIMENSIONS

DIMENSION STYLE MM ONLY

SCALE 1:1

DESIGN UNITS METRIC

DRAWN BY SNS01 DATE 2010/07/20

CHECKED BY DATE

APPROVED BY KPRASAD DATE 2010/10/26

MATERIAL NO. SEE TABLE 'A'

DOCUMENT NO. SD-36638-013

SHEET NO. 1 OF 2

CMC HEADER 48/36WAY T3 INTERFACE

MOLEX INCORPORATED

THIS DRAWING CONTAINS INFORMATION THAT IS PROPRIETARY TO MOLEX INCORPORATED AND SHOULD NOT BE USED WITHOUT WRITTEN PERMISSION

