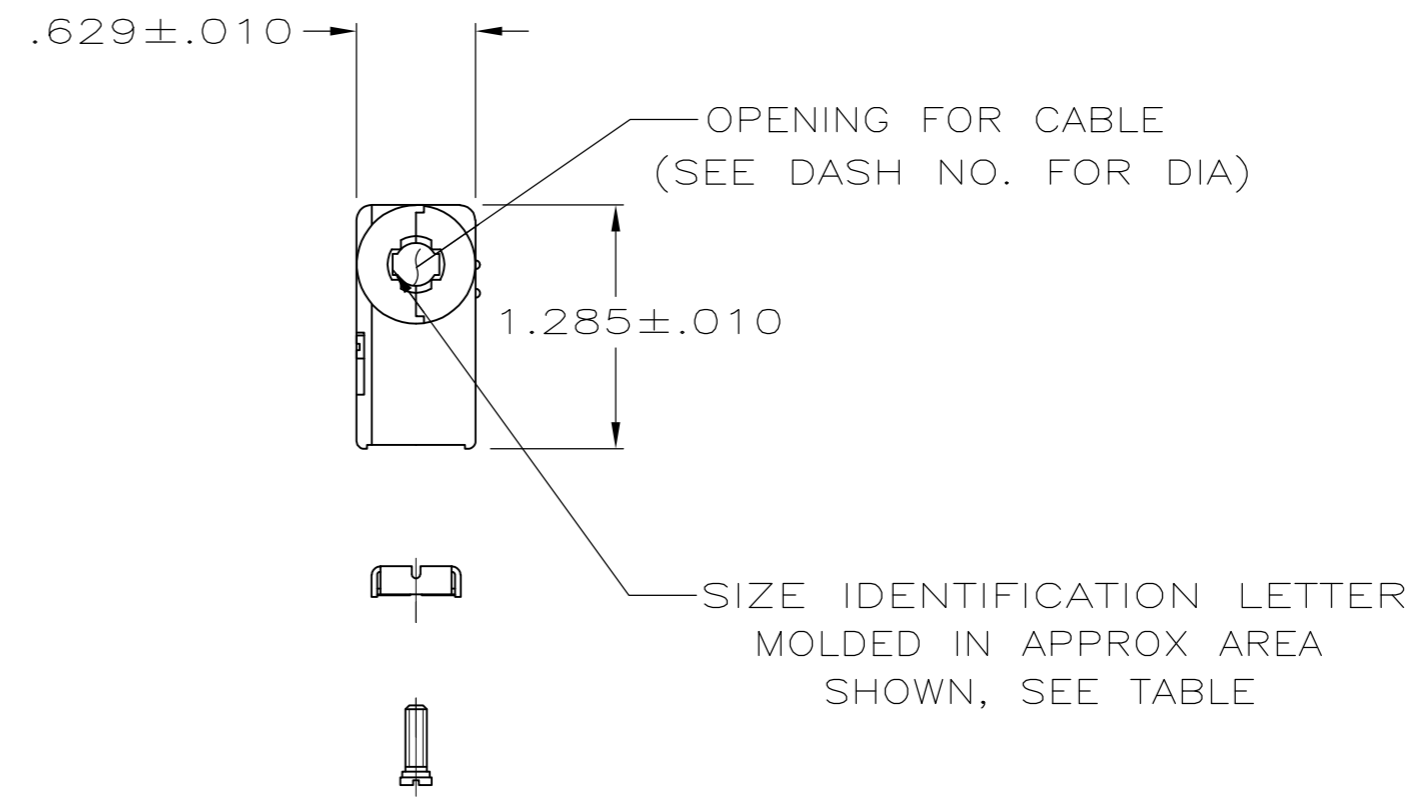
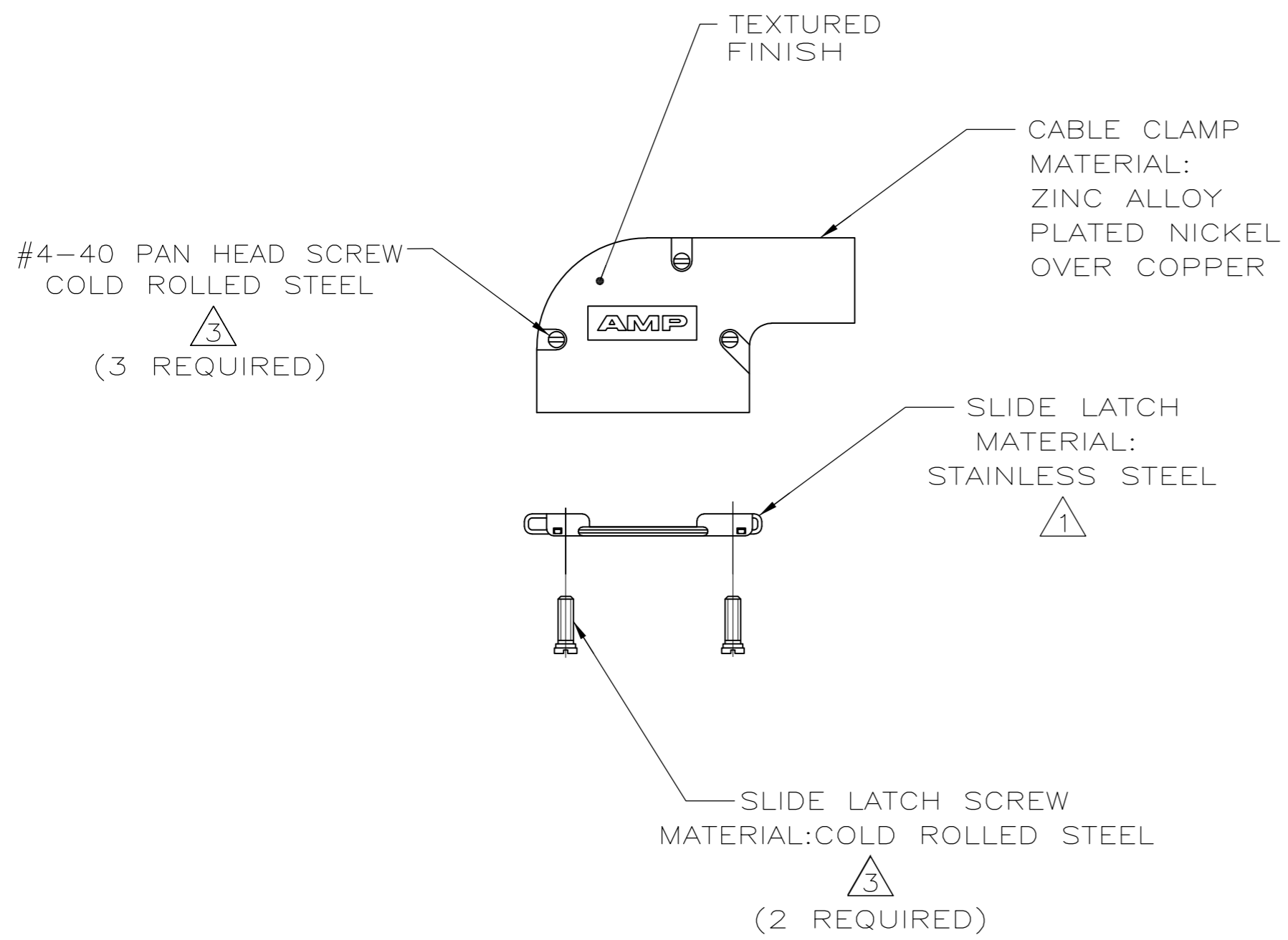
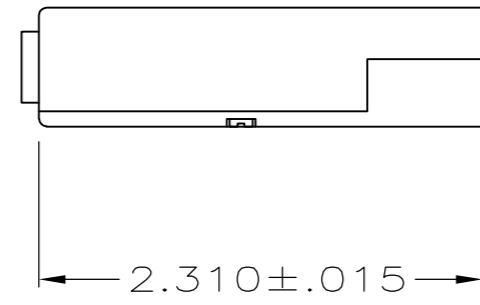


THIS DRAWING IS UNPUBLISHED. RELEASED FOR PUBLICATION  
 © COPYRIGHT - By - ALL RIGHTS RESERVED.

| LOC | DIST | REVISIONS                 |         |     |      |
|-----|------|---------------------------|---------|-----|------|
| P   | LTR  | DESCRIPTION               | DATE    | DWN | APVD |
| GP  | 00   |                           |         |     |      |
|     | P    | REVISED PER ECO-11-004835 | 11MAR11 | RK  | HMR  |



- 1 KIT INCLUDES SLIDE LATCH & SCREWS.
- 2. ALL PARTS PACKAGED UNASSEMBLED.
- 3 ZINC PLATED .000200-.000400 THICK, CLEAR CHROMATE COATING.

|            |           |           |
|------------|-----------|-----------|
| B          | .225      | 5745652-4 |
| E          | .300      | 5745652-3 |
| H          | .375      | 5745652-2 |
| K          | .430      | 5745652-1 |
| NECK IDENT | CABLE DIA | PART NO.  |

**COPYRIGHT 2005  
 TE CONNECTIVITY CORP  
 ALL RIGHTS RESERVED**

|   |   |                     |             |                  |                           |       |   |   |       |   |   |       |   |      |       |   |   |        |   |   |              |      |  |
|---|---|---------------------|-------------|------------------|---------------------------|-------|---|---|-------|---|---|-------|---|------|-------|---|---|--------|---|---|--------------|------|--|
| THIS DRAWING IS A CONTROLLED DOCUMENT.  |   | DWN                 | D. HENNY    | 8-13-05          | <b>TE</b> TE Connectivity |       |   |   |       |   |   |       |   |      |       |   |   |        |   |   |              |      |  |
| DIMENSIONS: INCHES  |   | CHK                 | C. ROHDE    | 8-13-05          |                           |       |   |   |       |   |   |       |   |      |       |   |   |        |   |   |              |      |  |
| TOLERANCES UNLESS OTHERWISE SPECIFIED:  |   | APVD                | M. WALMSLEY | 8-13-05          |                           |       |   |   |       |   |   |       |   |      |       |   |   |        |   |   |              |      |  |
| <table border="1"> <tr><td>0 PLC</td><td>±</td><td>-</td></tr> <tr><td>1 PLC</td><td>±</td><td>-</td></tr> <tr><td>2 PLC</td><td>±</td><td>-</td></tr> <tr><td>3 PLC</td><td>±</td><td>.005</td></tr> <tr><td>4 PLC</td><td>±</td><td>-</td></tr> <tr><td>ANGLES</td><td>±</td><td>-</td></tr> </table> |   | 0 PLC               | ±           | -                |                           | 1 PLC | ± | - | 2 PLC | ± | - | 3 PLC | ± | .005 | 4 PLC | ± | - | ANGLES | ± | - | PRODUCT SPEC | NAME |  |
| 0 PLC   | ± | -                   |             |                  |                           |       |   |   |       |   |   |       |   |      |       |   |   |        |   |   |              |      |  |
| 1 PLC   | ± | -                   |             |                  |                           |       |   |   |       |   |   |       |   |      |       |   |   |        |   |   |              |      |  |
| 2 PLC   | ± | -                   |             |                  |                           |       |   |   |       |   |   |       |   |      |       |   |   |        |   |   |              |      |  |
| 3 PLC   | ± | .005                |             |                  |                           |       |   |   |       |   |   |       |   |      |       |   |   |        |   |   |              |      |  |
| 4 PLC   | ± | -                   |             |                  |                           |       |   |   |       |   |   |       |   |      |       |   |   |        |   |   |              |      |  |
| ANGLES  | ± | -                   |             |                  |                           |       |   |   |       |   |   |       |   |      |       |   |   |        |   |   |              |      |  |
| MATERIAL SEE CALLOUTS   |   | FINISH SEE CALLOUTS |             | WEIGHT           | -                         |       |   |   |       |   |   |       |   |      |       |   |   |        |   |   |              |      |  |
| MATERIAL SEE CALLOUTS   |   | FINISH SEE CALLOUTS |             | SCALE            | 1:1                       |       |   |   |       |   |   |       |   |      |       |   |   |        |   |   |              |      |  |
| MATERIAL SEE CALLOUTS   |   | FINISH SEE CALLOUTS |             | CUSTOMER DRAWING | RESTRICTED TO             |       |   |   |       |   |   |       |   |      |       |   |   |        |   |   |              |      |  |
| MATERIAL SEE CALLOUTS   |   | FINISH SEE CALLOUTS |             | SIZE             | A2                        |       |   |   |       |   |   |       |   |      |       |   |   |        |   |   |              |      |  |
| MATERIAL SEE CALLOUTS   |   | FINISH SEE CALLOUTS |             | CAGE CODE        | 00779                     |       |   |   |       |   |   |       |   |      |       |   |   |        |   |   |              |      |  |
| MATERIAL SEE CALLOUTS   |   | FINISH SEE CALLOUTS |             | DRAWING NO       | C=5745652                 |       |   |   |       |   |   |       |   |      |       |   |   |        |   |   |              |      |  |
| MATERIAL SEE CALLOUTS   |   | FINISH SEE CALLOUTS |             | SHEET            | 1 of 1                    |       |   |   |       |   |   |       |   |      |       |   |   |        |   |   |              |      |  |
| MATERIAL SEE CALLOUTS   |   | FINISH SEE CALLOUTS |             | REV              | P                         |       |   |   |       |   |   |       |   |      |       |   |   |        |   |   |              |      |  |