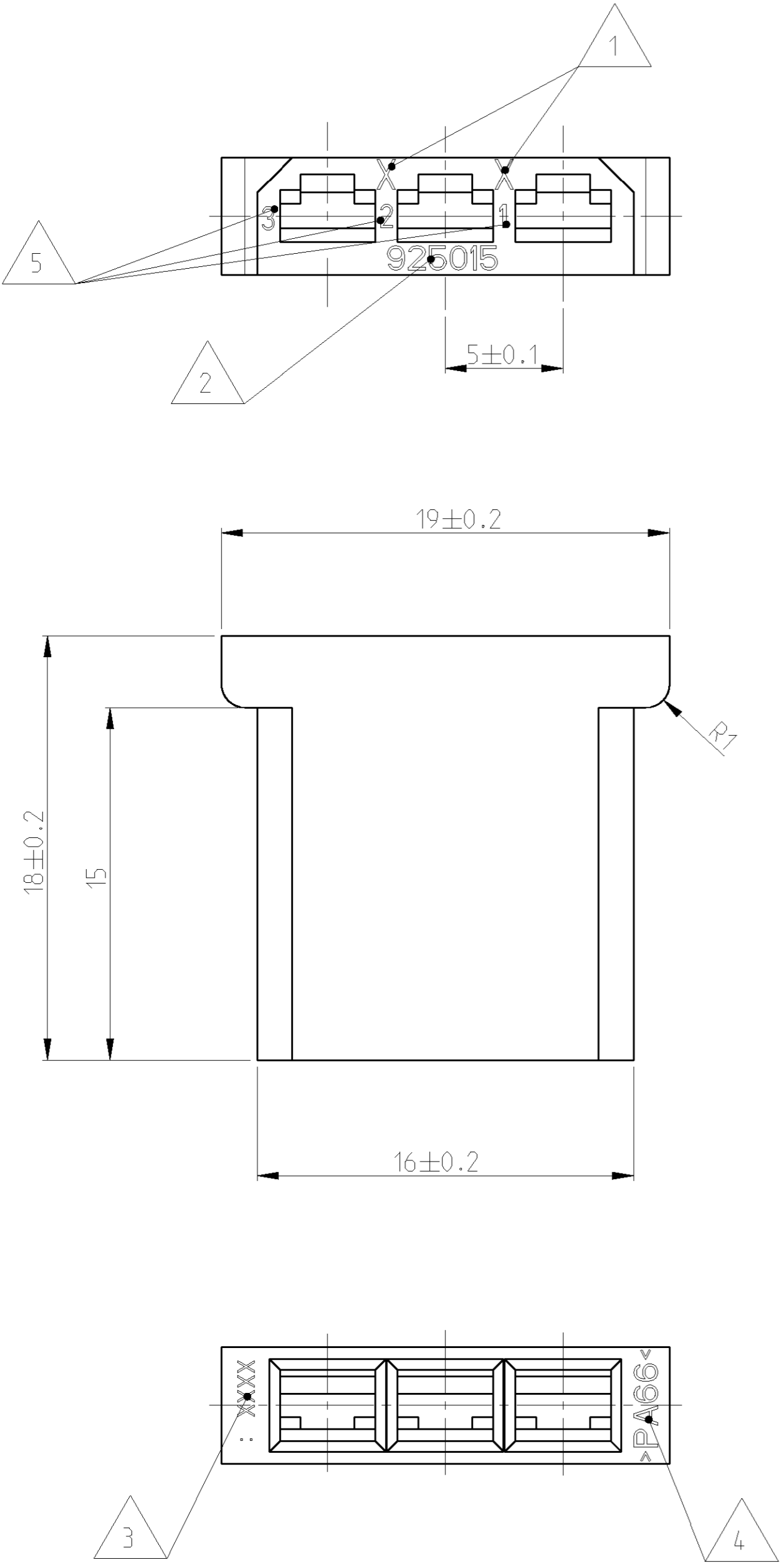
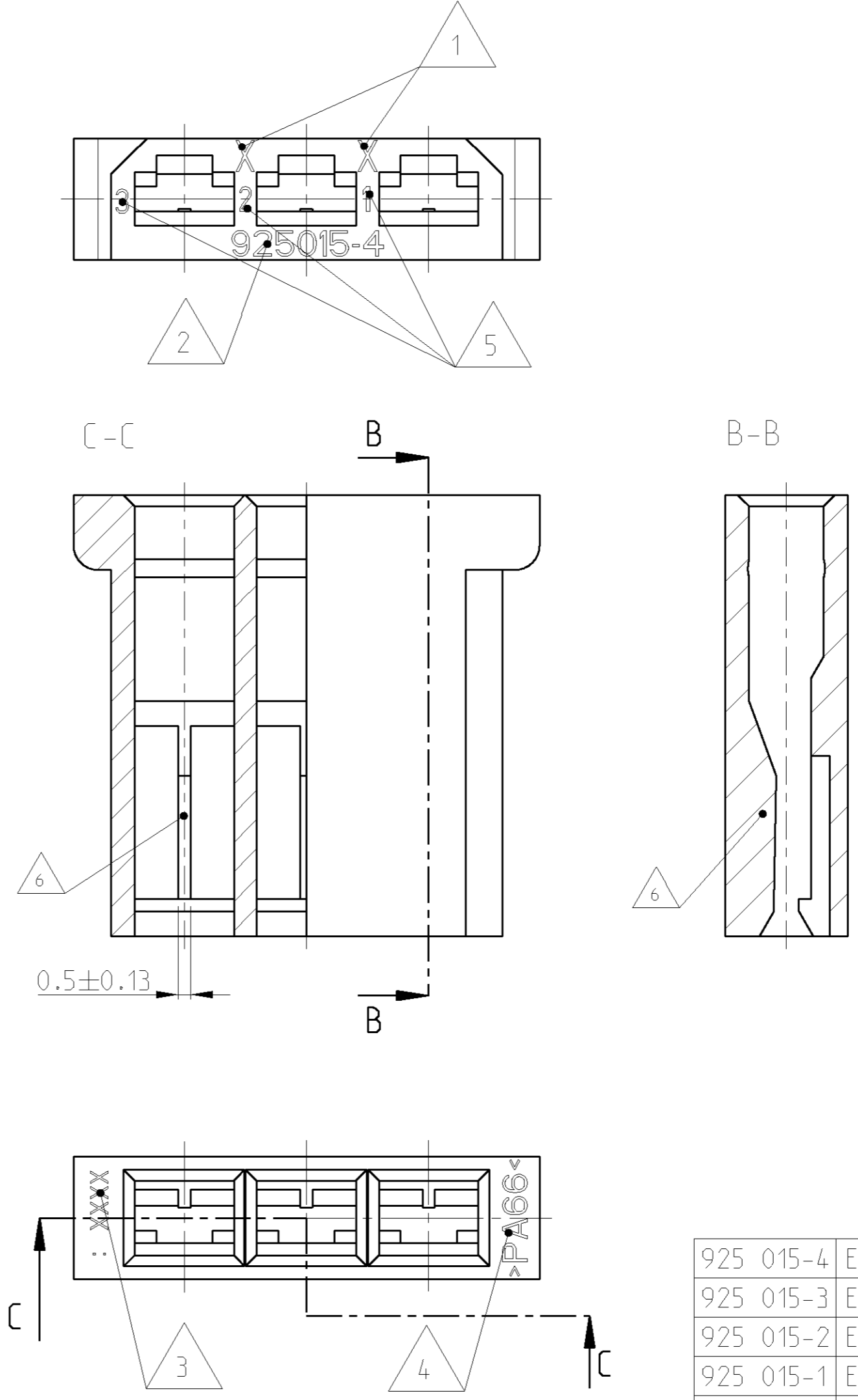


THIS DRAWING IS UNPUBLISHED. RELEASED FOR PUBLICATION 2006
 © COPYRIGHT 2006 BY TYCO ELECTRONICS CORPORATION. ALL RIGHTS RESERVED.



925015-4 AS SHOWN
 925015-4 wie dargestellt



LOC	DIST	REVISIONS					
		P	LTR	DESCRIPTION	DATE	DWN	APVD
A1	-	E		16+/-0.2 war 16+/-0.1	23OCT1998	-	M.P.
		E2		Zeichnungsrevision angepasst	29SEP2004	-	Stre.
		E3		Drawing update	16NOV2004	Haas	Stre.
		E4		PN 925015-4 added	28MAR2006	Haas	Stre.

NOTES
 Bemerkungen

- 1 MOULD CAVITY NUMBER
Werkzeugnestzahl
- 2 PART NUMBER
Teilenummer
- 3 ARTWORK LOGO
Firmenzeichen
- 4 MATERIAL MARKING
Werkstoffkennzeichnung
- 5 CHAMBER NUMBER
Kammernummer
- 6 CODING RIB
Kodiersteg
- 7 WEIGHT: 925015-0/-1/-2/-3 - 0,94g
Gewicht: 925015-4 - 0,98g

AMP-ORDER-NO.	REV	DESCRIPTION	MATERIAL	COLOUR
925 015-4	E	3POS. HOUSING	PA6.6	NATURAL
925 015-3	E	3POS. HOUSING	PA6.6 (ZYTEL 101)	NATURAL
925 015-2	E	3POS. HOUSING	PA6.6	RED
925 015-1	E	3POS. HOUSING	PA6.6	BLACK
925 015-0	E	3POS. HOUSING	PA6.6	NATURAL

THIS DRAWING IS A CONTROLLED DOCUMENT FOR TYCO ELECTRONICS CORPORATION IT IS SUBJECT TO CHANGE AND THE CONTROLLING ENGINEERING ORGANIZATION SHOULD BE CONTACTED FOR THE LATEST REVISION.		DWN Haas.C. 21MAR2005 CHK Stredak.F. 22MAR2005 APVD Bleicher.M. 31MAR2005	tyco Electronics tyco Electronics AMP GmbH 64625 Bensheim (Germany)
DIMENSIONS: mm	TOLERANCES UNLESS OTHERWISE SPECIFIED: 0 PLC ± 0.4 mm 1 PLC \pm 2 PLC \pm 3 PLC \pm 4 PLC \pm ANGLES \pm FINISH	NAME 3POS. FAST-IN-FASTON REC. HSG. SER.110 3pol. F.F. Stechdülsengehäuse SERIE 2.8	SIZE CAGE CODE DRAWING NO. RESTRICTED TO A2 00779 C=925015 -
MATERIAL -		WEIGHT Δ SEE NOTE	SCALE 5:1 SHEET 1 OF 1 REV E4
CUSTOMER DRAWING			