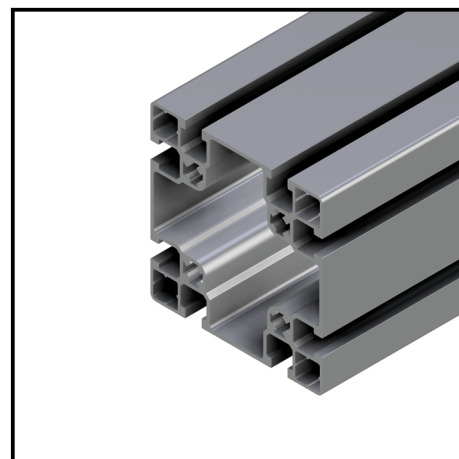
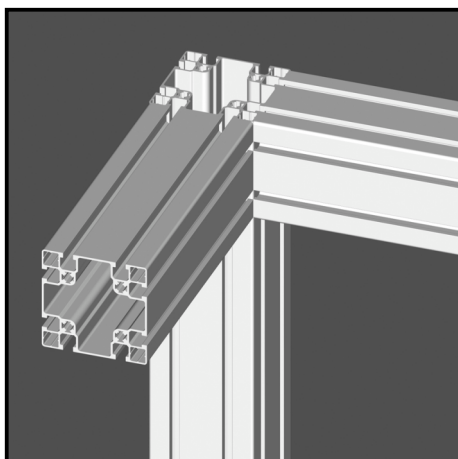
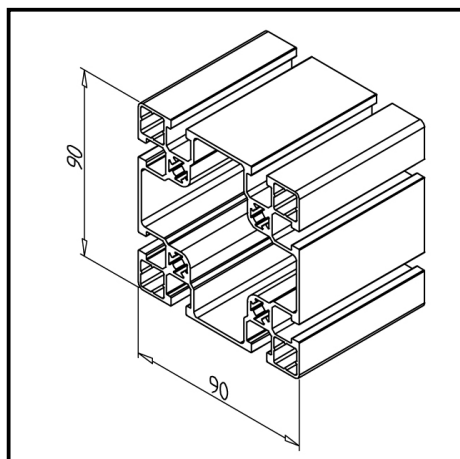


PROFILE 90 X 90 UL

Article Nr. 20.0999/0

[See the product on the website](#) →

[Download CAD Files](#) →



TECHN. DATA / ITEMS SUPPLIED

- Aluminium, extruded, anodized E6/EV1
- $I_x = 132.001 \text{ cm}^4$
- $I_y = 132.001 \text{ cm}^4$
- $w_x = 29.334 \text{ cm}^3$
- $w_y = 29.334 \text{ cm}^3$
- $IT = 343.488 \text{ cm}^4$
- Weight = 3.776 kg/m
- Packing unit = 12 m

APPLICATIONS

- Weight optimized constructions
- Guide in the central hollow chamber for internal balancing weight for lifting doors

ASSEMBLY

- MiniTec power-lock fastener
- Mounting bracket 45 or 90
- Screw connection
- Bolt connector