

TECHNICAL DATA

Motor Type – 555 Series

Voltage – 24v DC

Motor Resistance at 21°C. –  
9.6 Ohms

Input Power at 24v DC –  
3.4 Watts

Nominal Current at 24v DC –  
0.14 Amps

Stall Current at 24v DC –  
2.19 Amps

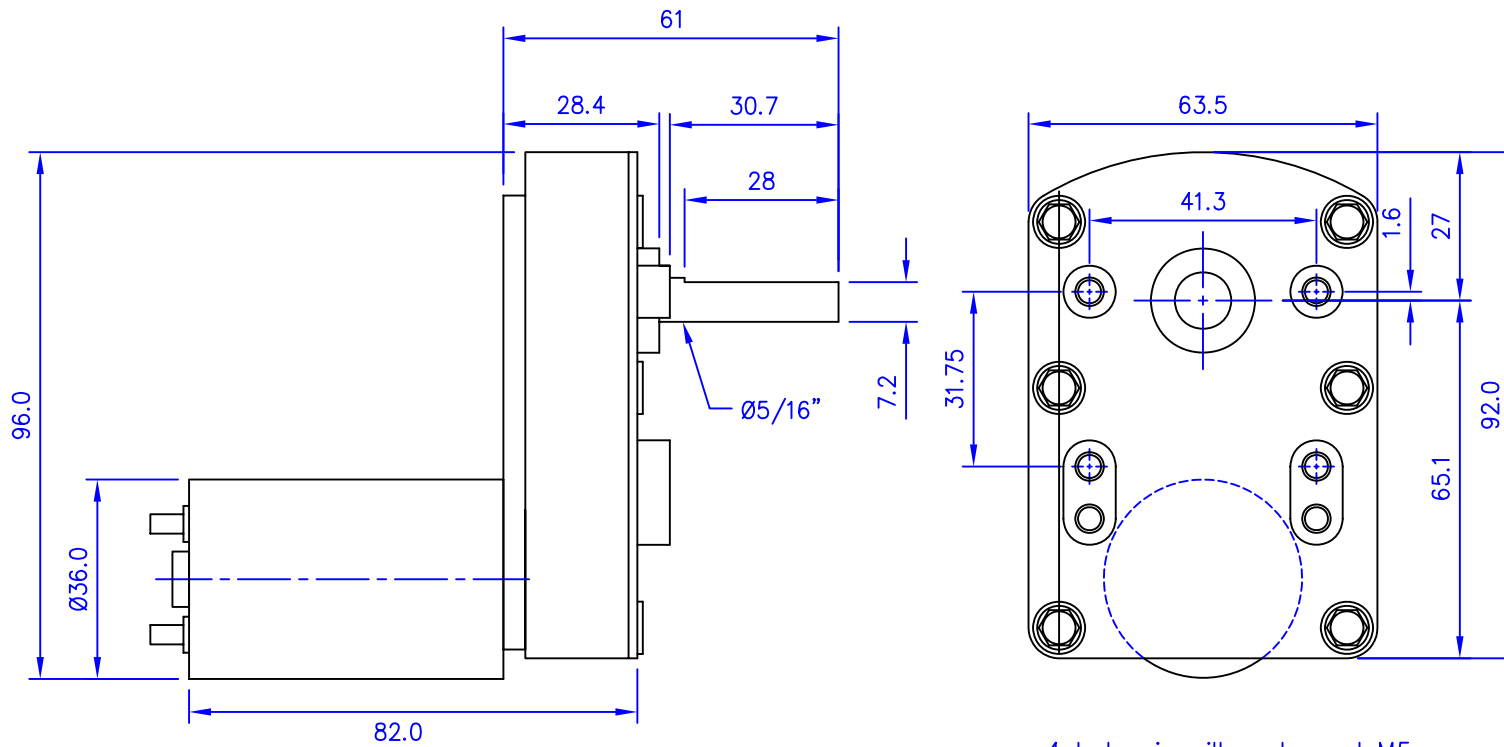
Output torque at 24v DC –  
6.8 Kg/cm

Thermal Protection –  
No Thermal Protection

Duty Cycle – Continuous

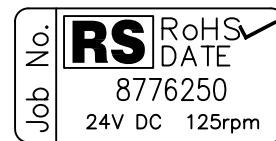
No Load Speed at 24v DC –  
125.0rpm.

Output Shaft Rotation when viewed  
from front – CW/CCW.



4 holes in pillars tapped M5

LABEL DETAILS



Dimensions in mm

MELLOR ELECTRICS Ltd  
BLACKBURN ENGLAND

DESCRIPTION  
T6 DC 125rpm 24v DC 555 Series

CUSTOMER  
RS COMPONENTS

DRAWN LC 20/03/15

PART No  
UBD1105