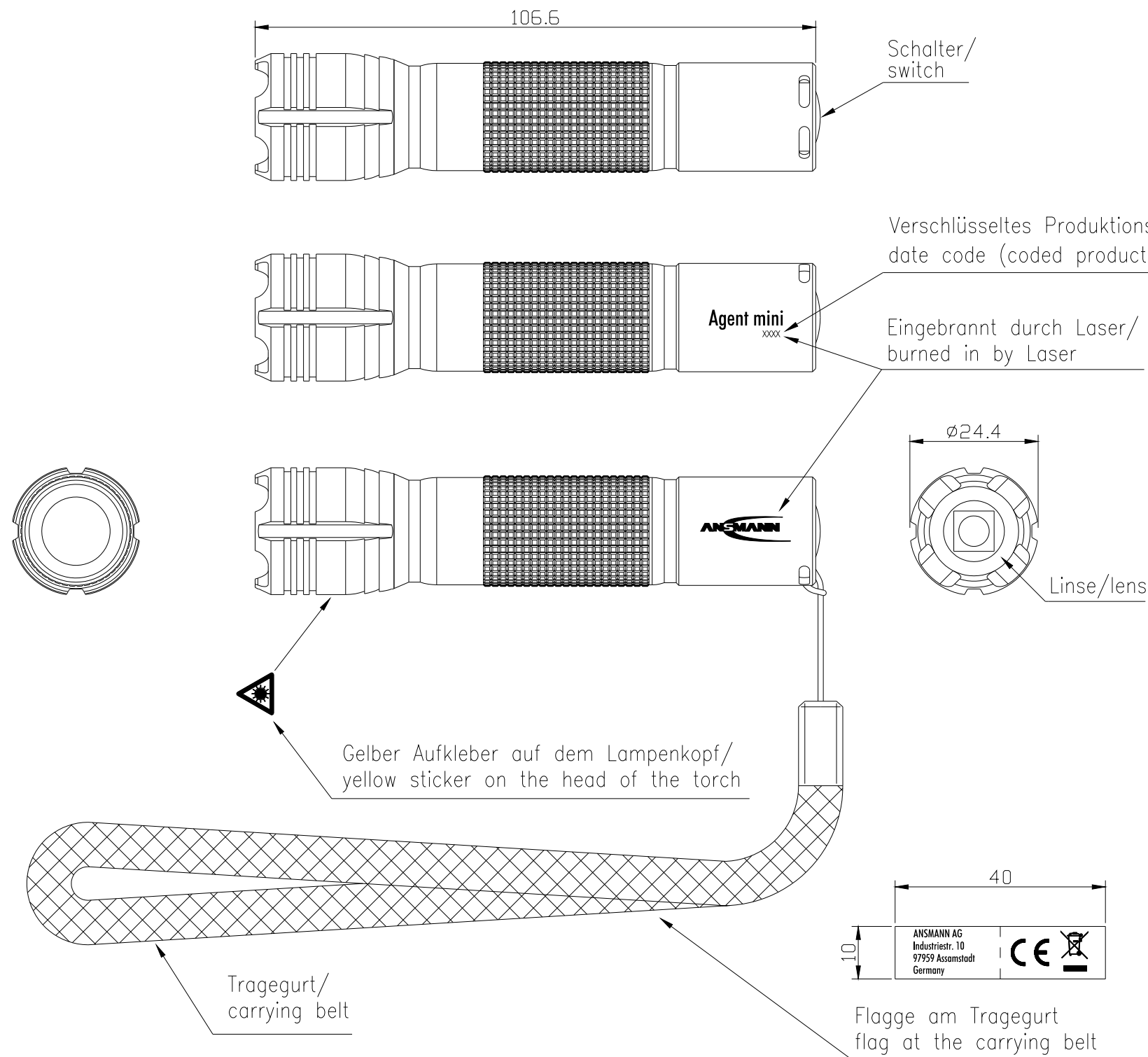


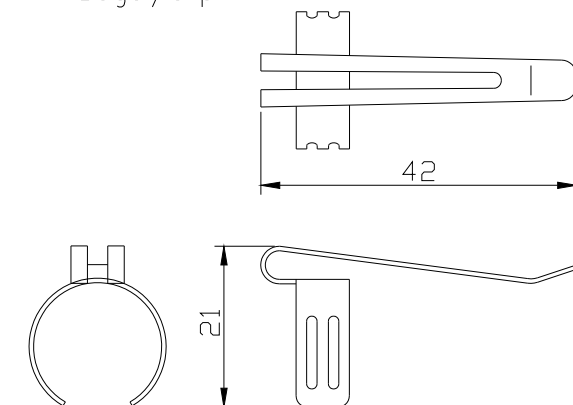
The supplier acknowledges that, with the acceptance of the drawing, he is in a position to manufacture the illustrated part in accordance with the drawing in reproducible form and series production. Through the selected manufacturing processes no impairments will arise in the material and structure which could subsequently lead to an impairment of the component. Verbal agreements over and above that are not valid. Deviations from this rule must be written and must be signed by the purchaser.

This drawing may not be copied, reproduced or made available to third parties in any way whatsoever without or prior written approval.



- Technische Daten Lampe/
technical data lamp
- Leuchtmittel/
illuminant : 1.0W CREE LED
 - Lebensdauer/
Life-time : ca./approx. 50.000h
 - Zellenzahl/
number of cells : 1x AA Mignon 1.5V Batterien/batteries
(Alkaline; LR6/MN1500/AM3)
 - Schalterfunktion/
switch function : Schalt- und Tastfunktion/
Switch and push-button function
 - Leuchtweite (ANSI FL1)/
beam range (ANSI FL1) : 80m
 - Sichtweite/
visual range : 150m
 - Leuchtdauer/
operating time : 3h
 - Helligkeit/
brightness : 50 Lumen
3000 Lux
 - Schutzart/
protection : IP67
 - Gehäuse/
housing : Aluminiumgehäuse, schwarz
aluminiumhousing, black
 - Gewicht/
weight : 75.5g inkl. Batterie und Clip/
75.5g incl. battery and clip
 - Approbationen/
approvals : CE
 - Lieferumfang/
shipment : -2x AA Mignon 1.5V Batterien/batteries
(Alkaline; LR6/MN1500/AM3)
-Tragegurt/
lanyard
-Gürtelclip
belt clip

Bügel/clip



Schalt- und Tastfunktion
Schaltfunktion: An/Aus
Tastfunktion: Kurzzeitiges Anschalten
(solange getastet wird; nur im ausgeschalteten Zustand)

Switch and push-button function
Switch function: On/Off
Push-button function: momentary turning on
(as long as being pushed; only when turned off)

| | | | | | | | |
|---|-------------------------------------|----------|-----|---|------------------------|--|----------------|
| Verwendungsbereich/Application range für Anfrage/for inquiry AN201167Amini | | | | Zul. Abweichung/ Allowable deviation | Oberfläche/ Surface | Maßstab/Scale (DIN A3): 1:1 | Gewicht/Weight |
| | | | | | | Werkstoff/Work material, Modell-Nr. | |
| | | | | 2012 | Datum/Date | Name | |
| | | | | Erstellt/ Drawn by | 01.08 | KA | |
| V2 | technical data updated | 16.09.14 | SIT | | | | |
| V2 | date code changed and address added | 21.01.14 | CF | | | | |
| V1 | technical data updated | 28.08.13 | CB | | | | |
| V0 | dimensions updated | 18.09.12 | DC | | | | |
| V0 | Length & technical data updated | 09.08.12 | DC | | | | |
| V0 | --- | 01.08.12 | KA | | | | |
| Version Änderung/Change Datum/Date Name | | | | Ursprung/Origin Proj. 063/22/12 | | Zeichnungsname/Drawing name Agent mini – neues Design/ Agent mini – new Design | |
| | | | | | | Zeichnungsnummer/Drawing number Artikelnummer/Part number 1600-0033 | |
| | | | | | | Blatt/ Sheet 1 | |
| Ersatz für/Replaced by | | | | | | Ersatz durch/Replacement through: | |