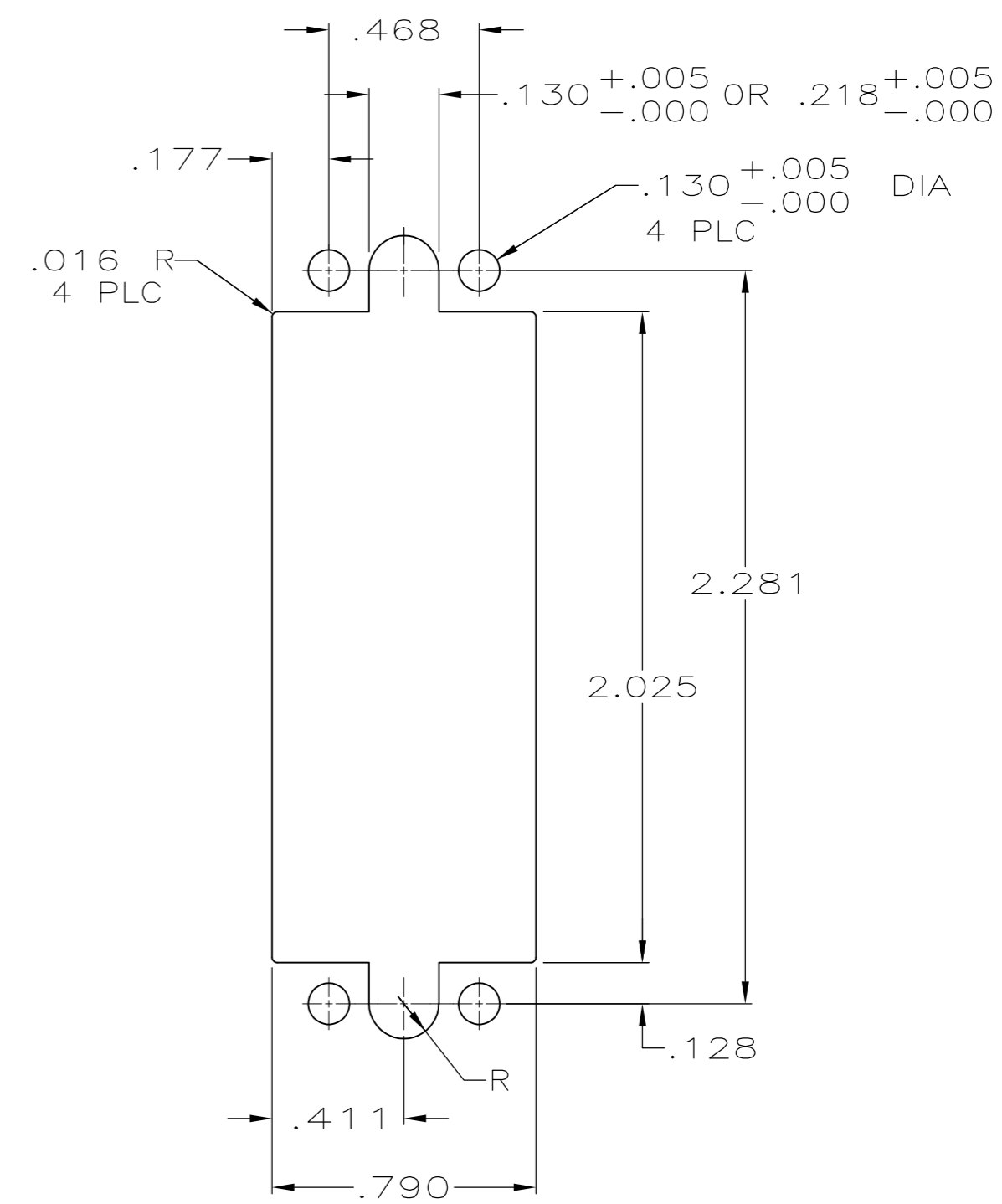
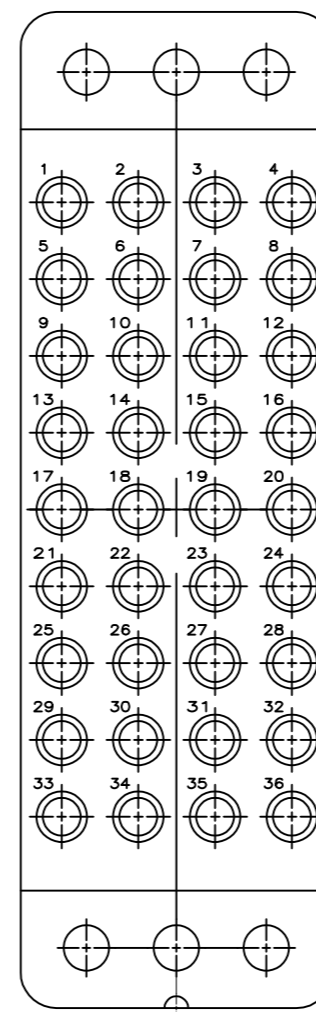
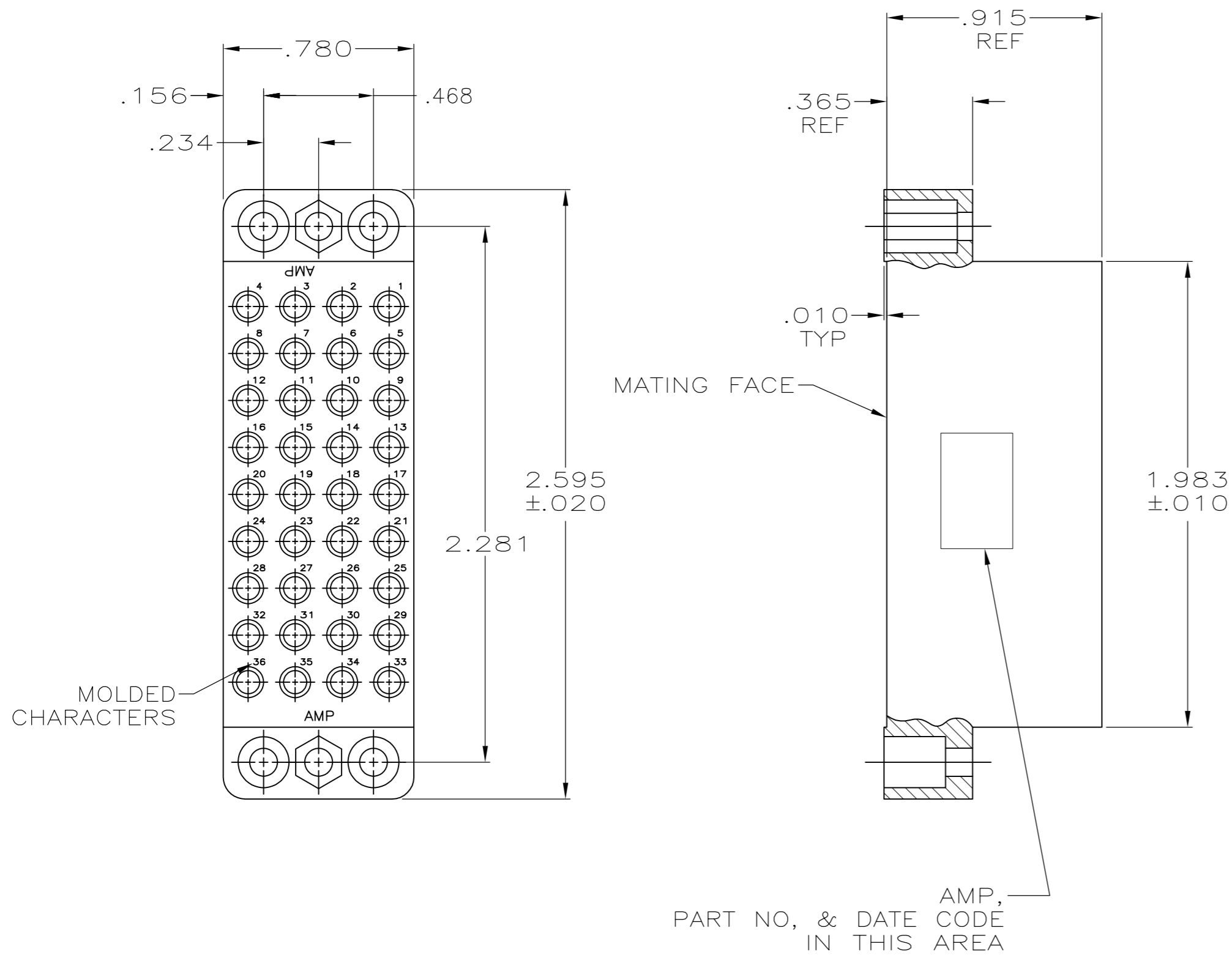


THIS DRAWING IS UNPUBLISHED. RELEASED FOR PUBLICATION
 © COPYRIGHT BY TYCO ELECTRONICS CORPORATION. ALL RIGHTS RESERVED.

LOC		DIST		REVISIONS			
P	LTR	DESCRIPTION		DATE	DWN	APVD	
FT	0	K	REVISED PER ECO-07-025670	11/6/07	SS	GS	



SUGGESTED PANEL CUTOUT

1. ACCOMODATES TYPE II OR III+ #16 SOCKET CONTACTS.

205076-2
PART NUMBER

THIS DRAWING IS A CONTROLLED DOCUMENT.		DWN B. MOYER 04/22/91	Tyco Electronics Corporation Harrisburg, PA 17105-3608	
DIMENSIONS: INCHES		CHK R. STONE 05/08/91	NAME	
TOLERANCES UNLESS OTHERWISE SPECIFIED: 0 PLC ± - 1 PLC ± - 2 PLC ± - 3 PLC ± .005 4 PLC ± - ANGLES ± - FINISH -		APVD -	HOUSING, PLUG, 36 POSITION, M SERIES	
MATERIAL PHENOLIC PER MIL-M-14,	FINISH -	PRODUCT SPEC -	APPLICATION SPEC -	RESTRICTED TO -
CUSTOMER DRAWING		WEIGHT -	SIZE A2	CAGE CODE 00779
		DRAWING NO C=205076		SCALE 2:1
		SHEET 1 of 1		REV K