

MICRO (M12) Distribution Box - ASBV

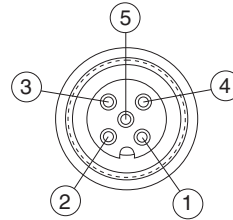
Female Outlet 5 Pole - 4 Port Actuator/Sensor Distribution Box with Halogen-Free PUR Home Run Cable IP68, NEMA 6P and C-Track Rated

4 Port



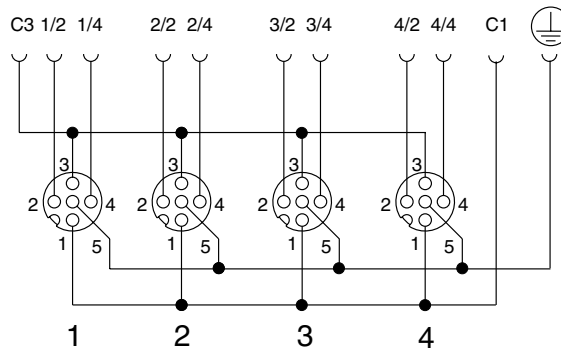
4 Port

FEMALE PORT FACE VIEW



**WIRING DIAGRAM
4 PORT**

- 1 = BRN (C1)
- 3 = BLU (C3)
- 2 = GRY/PNK (1)
RED/BLU (2)
WHT/GRN (3)
BRN/GRN (4)
- 4 = WHT (1)
GRN (2)
YEL (3)
GRY (4)
- 5 = GRN/YEL (gnd)



MICRO DISTRIBUTION BOX Ordering Information

PART NUMBER

ASBV 4 5-256/xx

Standard Cable Lengths: 5m and 10m



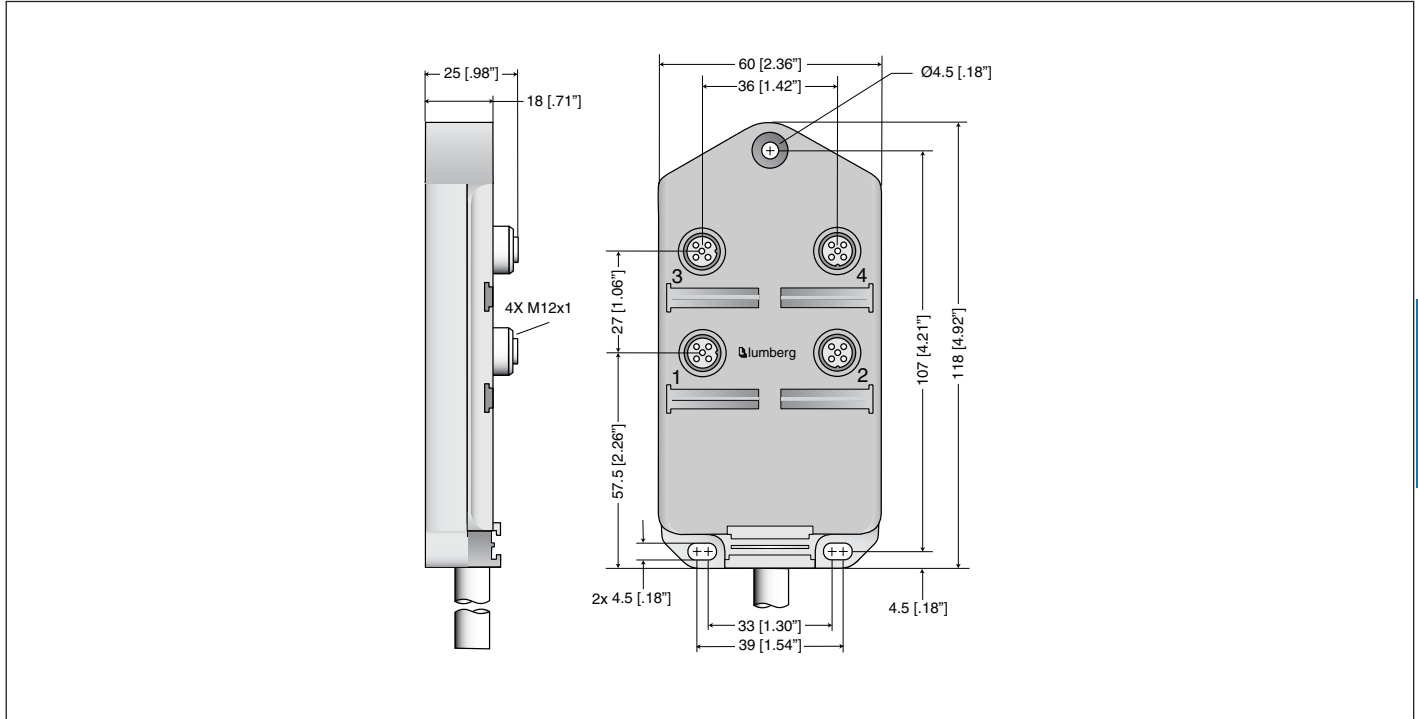
For Other Options, Contact Lumberg, Inc.

MICRO (M12) Distribution Box - ASBV



Female Outlet 5 Pole - 4 Port Actuator/Sensor Distribution Box with Halogen-Free PUR Home Run Cable IP68, NEMA 6P and C-Track Rated

TECHNICAL SPECIFICATIONS



MICRO

Mechanical

Housing: PUR, Orange
Contact: Brass, Gold over Nickel plated
Receptacle Housing: Brass, Nickel plated
Insert: Nylon



Electrical

Contact Resistance: $\leq 5\text{m}\Omega$
Current Rating: 4A/port and 12A/box
Voltage Rating: 250V

Environmental

Protection: IP68, NEMA 6P (*Fully Locked Position Only!*)
Operating Temperature: -15°C to $+90^{\circ}\text{C}$

Certifications

 UL Recognized, File NO. E104696
 CSA Certified, File NO. LR101546-1

Cable:

Voltage: 300V

256: Halogen-Free, Black PUR jacket, Hi-flex bare, 8x0.50mm² and 3x1.0mm² copper stranding

Outside Diameter: 9.3mm/.366"