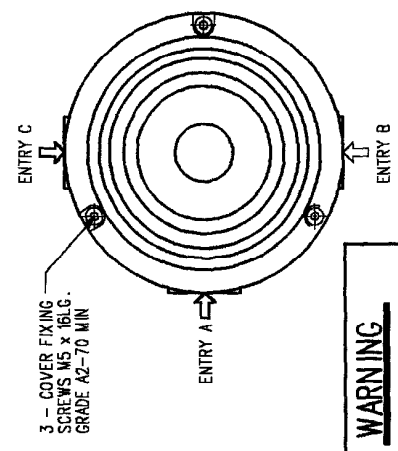
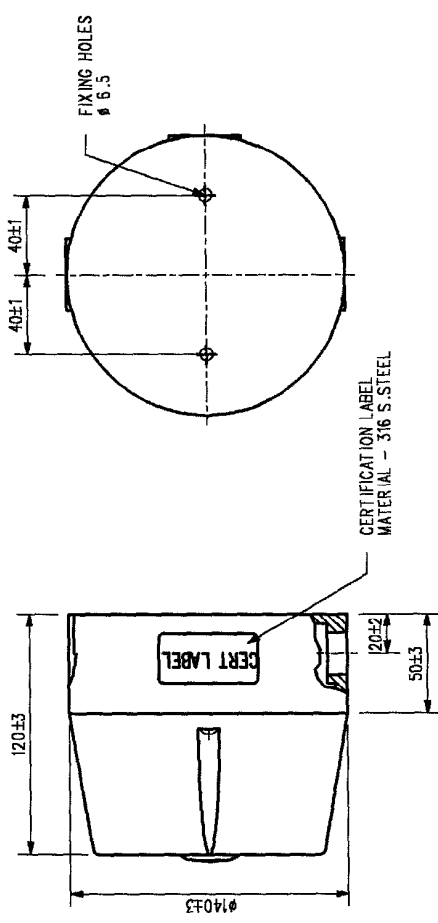


DO NOT SCALE



CELL NO. J

- 1/ TYPE DB7
- 2/ CERTIFICATION No. BASEEFA BAS00ATEX1260 (APPARATUS)
Ex96D2362 (SYSTEM)
⊕ I I G EE x ia IIC T4
OR
⊕ I I G EE x ia IIB T4
- 3/ WEIGHT :- 1.0 ±0.1kg
- 4/ MATERIAL :- GLASS REINFORCED POLYESTER
- 5/ SELF ADHESIVE TAG LABEL, LETTER SIZE 5mm MAX
- 6/ SELF ADHESIVE DUTY LABEL, LETTER SIZE 5mm MAX
- 7/ TERMINALS SUITABLE FOR UP TO 2.5mm SQ CABLE
- 8/ CABLE ENTRIES AVAILABLE AT "A" "B" AND "C" VIA KNOCKOUTS.



WARNING
THIS DRAWING RELATES TO A CERTIFIED PRODUCT.
NO MODIFICATIONS PERMITTED WITHOUT THE AUTHORISATION OF THE TECHNICAL MANAGER

CURRENT PRODUCTION COPY

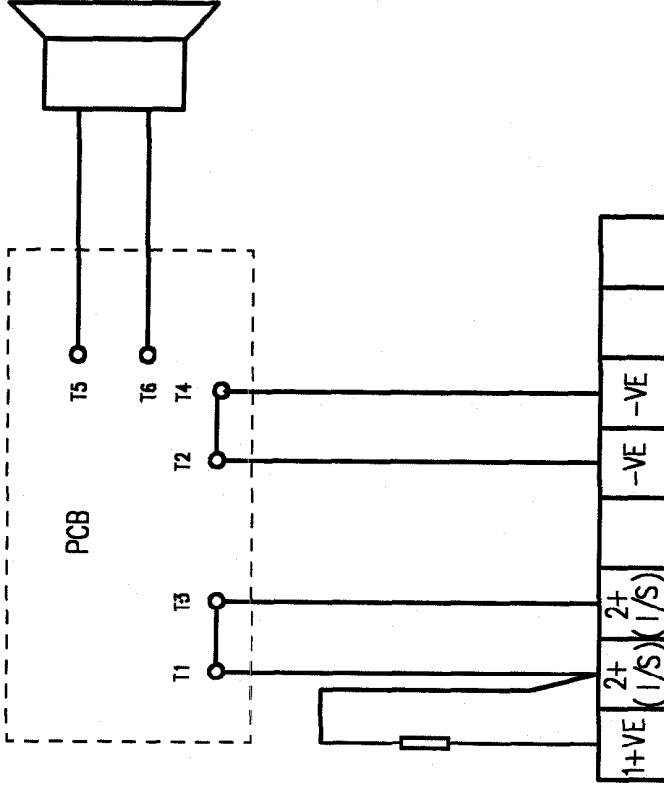
MEDC
DESIGNERS & MANUFACTURERS OF ELECTRICAL & ELECTRONIC EQUIPMENT & SYSTEMS FOR HAZARDOUS AREAS
MEDC, Colliery Road, Pinxton, Nottingham NG16 5JF, U.K.
Tel: +44 (0)1773 812249
Fax: +44 (0)1773 590282

ALL DIMENSIONS ARE IN MILLIMETRES UNLESS OTHERWISE STATED REMOVE ALL BURRS AND SHARP EDGES MACHINE SYMBOLS THUS	DRAWN BY: D.HAGIN CHECKED BY: M.SELDEN APPROVED BY: D.HAGIN SCALE: —	DATE: 18-04-01 DATE: 18-04-01 DATE: 18-04-01 SIZE: A4	TITLE: DB7 ATEX GENERAL ARRANGEMENT DRG No. 212-310 ISSUE A
	THIS DRAWING IS CONFIDENTIAL AND IS THE PROPERTY OF MEDC AND MUST NOT BE REPRODUCED EITHER WHOLLY OR PARTLY. ALL RIGHTS IN RESPECT OF PATENTS, DESIGNS AND COPYRIGHT ARE RESERVED.		
	ISSUES		
	THIS DRAWING RELATES TO A CERTIFIED PRODUCT. NO MODIFICATIONS PERMITTED WITHOUT THE AUTHORISATION OF THE TECHNICAL MANAGER		

DO NOT SCALE



DUAL TONE UNIT



WARNING
 THIS DRAWING RELATES
 TO A CERTIFIED PRODUCT.
 NO MODIFICATIONS
 PERMITTED WITHOUT
 THE AUTHORISATION OF
 THE TECHNICAL MANAGER

**CURRENT
 PRODUCTION COPY**

CELL NO. J



MEDC, Colliery Road, Pinxton,
 Nottingham NG16 6JF, U.K.
 Tel: +44 (0)1773 812249
 Fax: +44 (0)1773 580282

DESIGNERS & MANUFACTURERS
 OF ELECTRICAL & ELECTRONIC
 EQUIPMENT & SYSTEMS FOR
 HAZARDOUS AREAS

ALL DIMENSIONS ARE
 IN MILLIMETRES UNLESS
 OTHERWISE STATED

REMOVE ALL BURRS
 AND SHARP EDGES

MACHINE
 SYMBOLS THUS

THIS DRAWING IS CONFIDENTIAL
 AND IS THE PROPERTY OF MEDC
 AND MUST NOT BE REPRODUCED
 EITHER WHOLLY OR PARTLY.
 ALL RIGHTS IN RESPECT OF
 PATENTS, DESIGNS AND
 COPYRIGHT ARE RESERVED.

DRAWN BY:	S. HUNT	DATE:	23-10-01
CHECKED BY:	D. HAGIN	DATE:	223-10-01
APPROVED BY:	B. TAYLOR	DATE:	23-10-01
SCALE:	A4	SIZE	A4

TITLE	WIRING DIAGRAM DB7 ATEX WITH PROTECTIVE RESISTOR
DRG No.	212-331
ISSUE	A

ISSUES