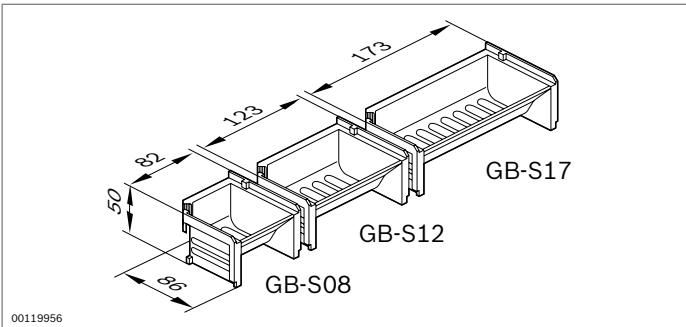




00120994



00119956

Grab tray	Color	ESD No.
GB-S08	Light gray	3 842 344 764
	Black	3 842 346 294
GB-S12	Light gray	3 842 344 765
	Black	3 842 346 295
GB-S17	Light gray	3 842 344 766
	Black	3 842 346 296

Grab trays

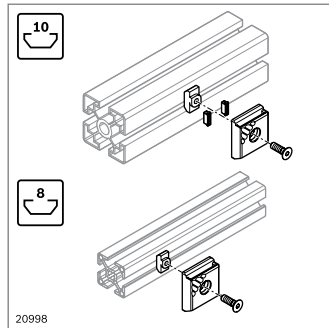


- ▶ Space-saving supply of small parts, e.g., underneath the material feed
- ▶ Integrated lip for easier removal of small parts
- ▶ Mounted on suspension profile (see page 184) or container mount

Material: ABS plastic



22032



20998

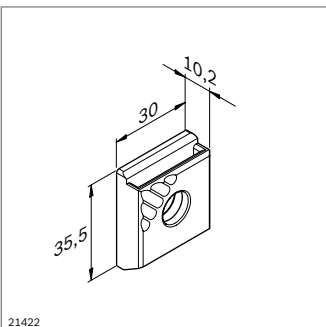
Container mount



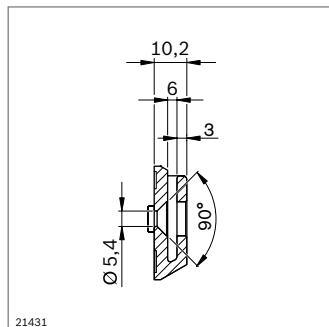
- ▶ Container mount for mounting tool holders, grab containers, grab trays and grab ledges
- ▶ Suitable for 8 mm and 10 mm slots

Material: PA 66; black

Scope of delivery: includes fastening material for fastening in 8 mm and 10 mm slots



21422



21431

	ESD No.
Container mount	3 842 544 797