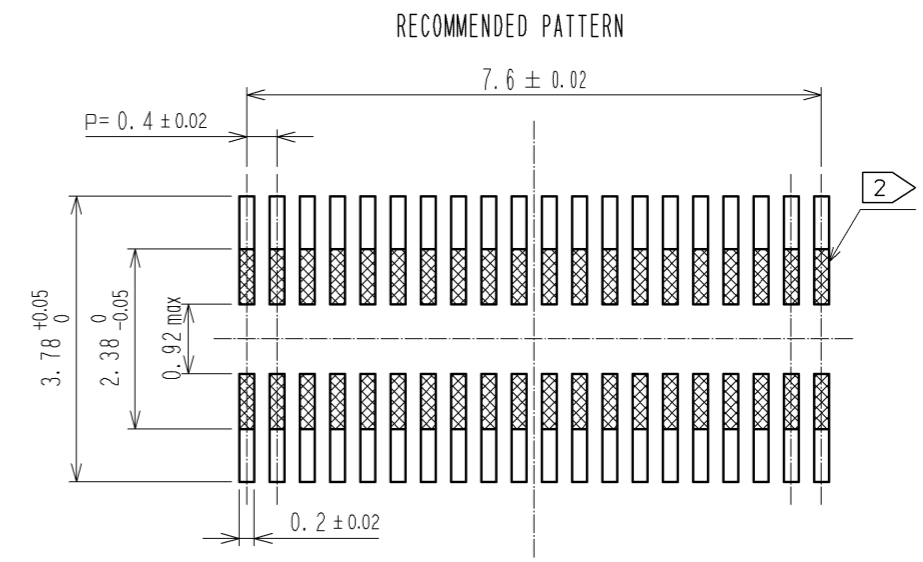
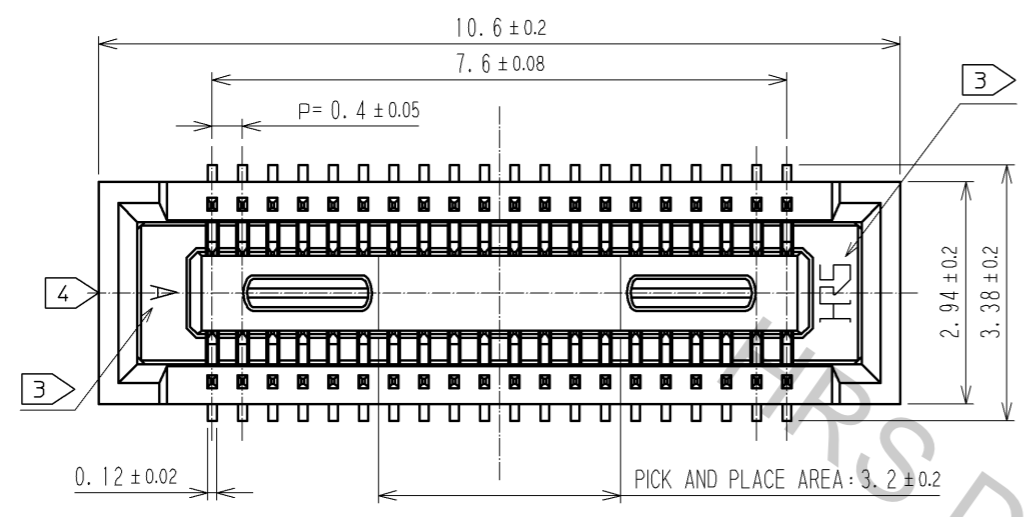
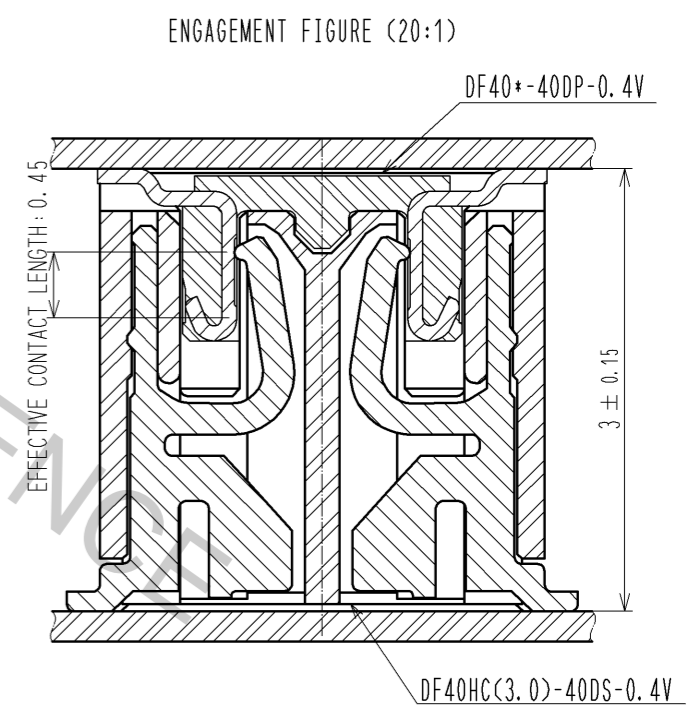
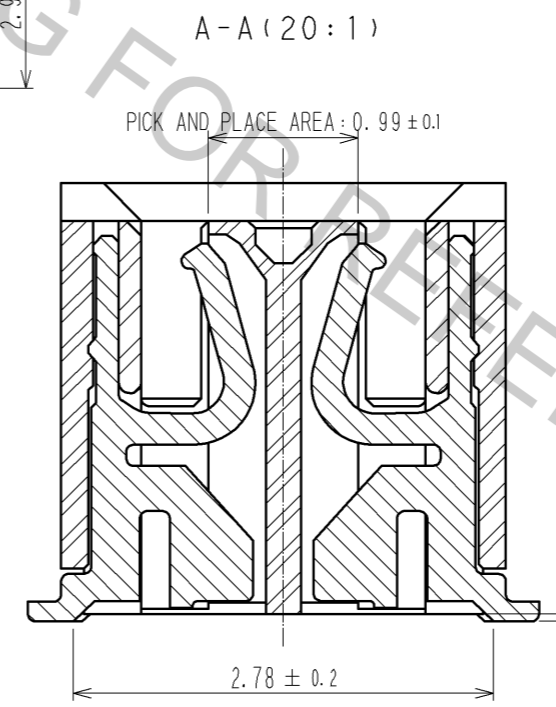
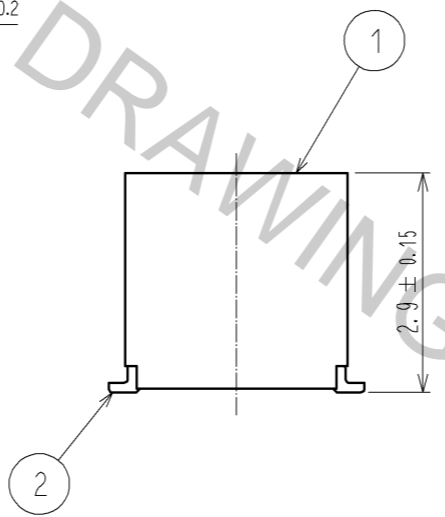
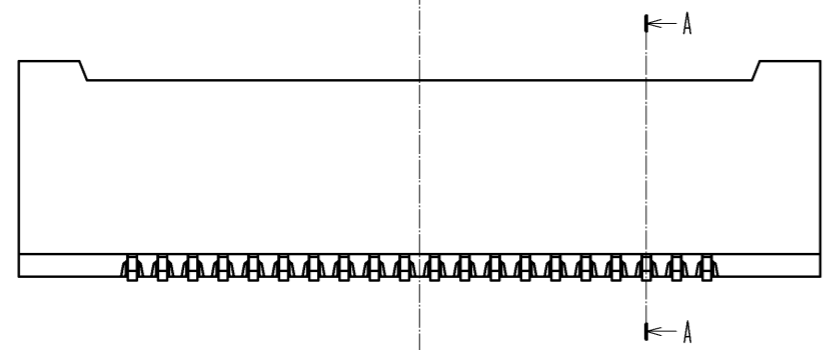


May.1.2017 Copyright 2017 HIROSE ELECTRIC CO., LTD. All Rights Reserved.



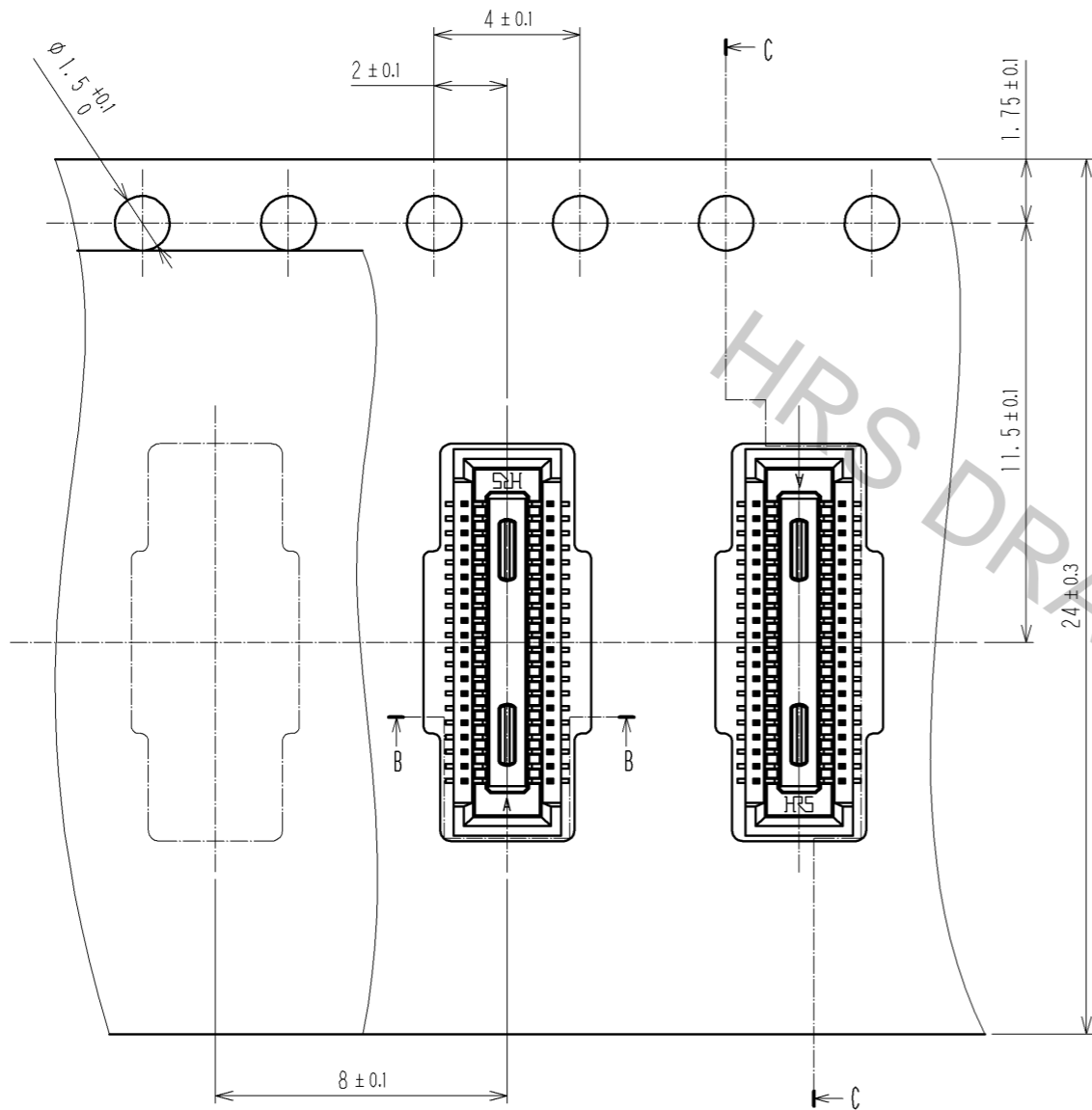
RECOMMENDED METAL MASK THICKNESS : 120 μm
 RECOMMENDED METAL MASK OPENING RATIO : 80% FOR LEAD PAD



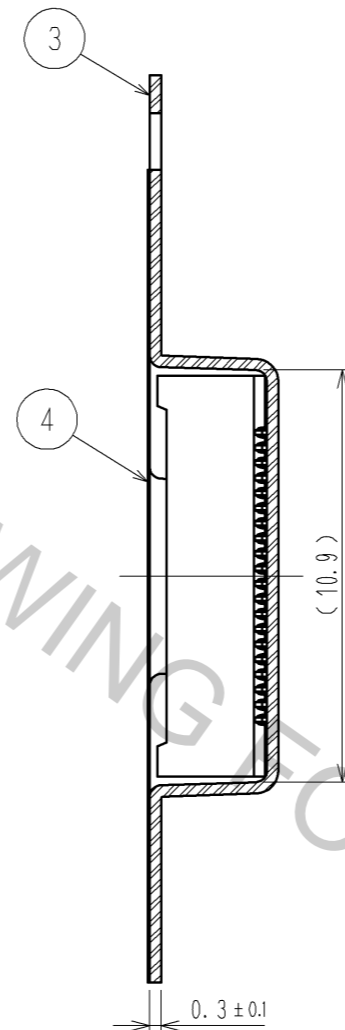
NOTE 1. ALL LEADS CO-PLANARITY SHALL BE 0.1 MAX.
 2 IS NO PATTERN AREA OTHER THAN THE SAME CIRCUIT.
 3 HRS MARK AND CAV NO. IS INDICATED IN APPROXI POSITION SHOWN.
 4 GATE POSITION IS POSITIONED IN APPROXIMAL AREA SHOWN.

2	PHOSPHOR BRONZE	CONTACT AREA: GOLD 0.05 μm MIN	5	PS	BLACK			
		SMT LEAD: GOLD 0.05 μm MIN		4	POLYESTER	CLEAR, COVER TAPE		
		UNDERPLATING: NICKEL 1 μm MIN		3	PS	CLEAR, EMBOSSED CARRIER TAPE		
1	LCP	BLACK, UL94V-0						
NO.	MATERIAL	FINISH, REMARKS	NO.	MATERIAL	FINISH, REMARKS			
UNITS: mm		SCALE: 10:1	COUNT: \triangle		DESCRIPTION OF REVISIONS	DESIGNED	CHECKED	DATE
HRS HIROSE ELECTRIC CO., LTD.		APPROVED: KH. IKEDA	11.08.31	DRAWING NO. EDC3-340389-01				
		CHECKED: TS. MIYAZAKI	11.08.31	PART NO. DF40HC(3.0)-40DS-0.4V(51)				
		DESIGNED: TR. YUNOKI	11.08.31	CODE NO. CL684-4169-6-51				
		DRAWN: TR. YUNOKI	11.08.31					\triangle 1/2

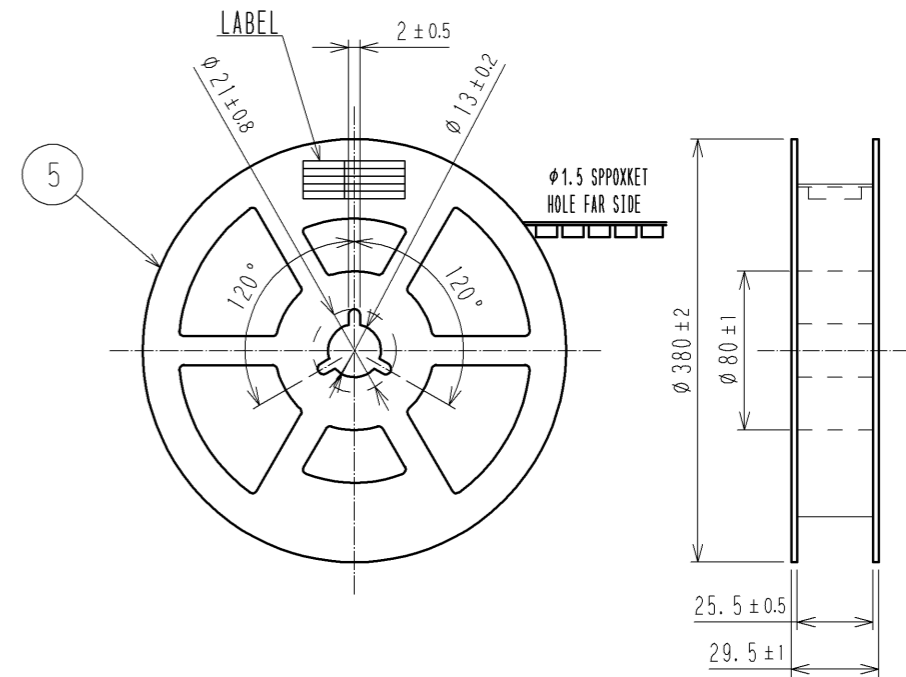
SCALE (5:1)



C-C(5:1)



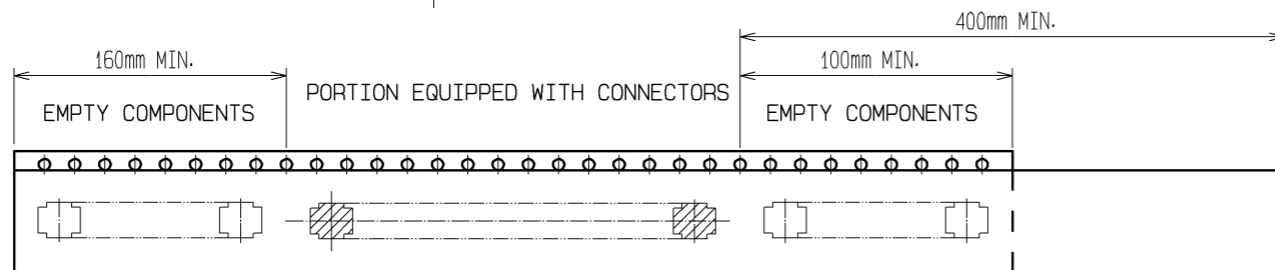
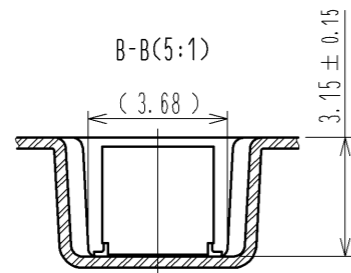
STYLE AND DIMENSION OF REEL (FREE SIZE)



8 > DETAIL OF PART NO. LABEL

製造年月日	** ** *
製品コード	CL684-4169-6-51
製品名	DF40HC(3.0)-40DS-0.4V(51)
数量	3000
納入者	ヒロセ電機(株)

DIRECTION OF UNREELING →



7 > TAPING

- NOTES)
- PER REEL 3000 CONNECTORS.
 - THE DIMENSIONS IN PARENTHESES ARE FOR REFERENCE.
 - REFER TO JIS C 0806(PACKING OF COMPONENTS FOR AUTOMATIC HANDLING)
 - DETAIL OF PART NO. LABEL IS WRITTEN IN JAPANESE.
- PRODUCTION DATE:
 PRODUCT CODE: CL684-4169-6-51
 PART NUMBER: DF40HC(3.0)-40DS-0.4V(51)
 NUMBER OF PIECES: 3000 PIECES
 SUPPLIER NAME: HIROSE ELECTRIC CO., LTD.

HRS	DRAWING NO.	EDC3-340389-01
	PART NO.	DF40HC(3.0)-40DS-0.4V(51)
	CODE NO.	CL684-4169-6-51