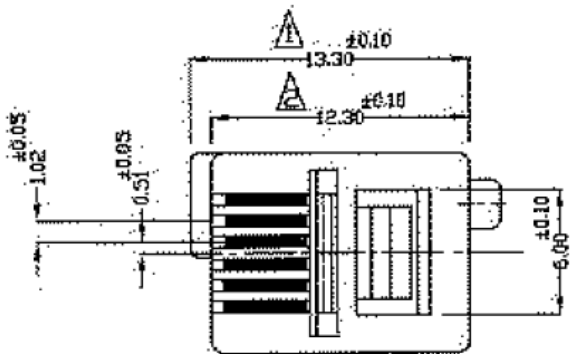
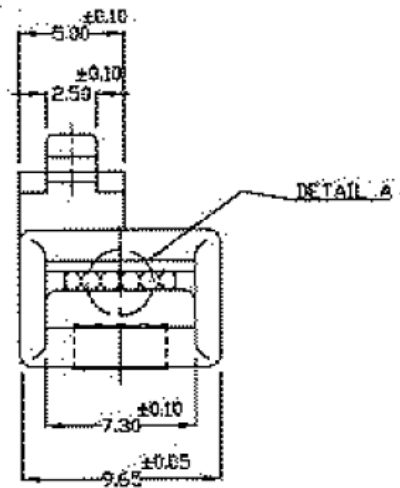
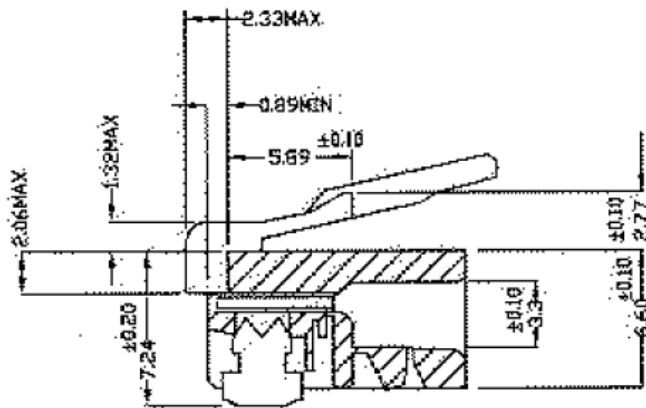


Datasheet

6 way 6 contact MMJ modular data plug

RS Stock number [331-6370](#)



Specifications:

Housing:	Polycarbonated (PC)
Contact:	Phosphor Bronze
Dielectric withstanding:	500 volts ac
Insulation Resistance:	500Megohms