



MICRO SWITCH

FREEPORT ILLINOIS, U.S.A.
A DIVISION OF HONEYWELL

FED. MFG CODE 91929

SWITCH - BASIC

CATALOG LISTING

BZ-2RQ124-A2

M BZ-2RQ124-A2
PAGE 1 OF 1
RELEASE NO PR-1043

DRAWING NUMBER
9

ISSUE

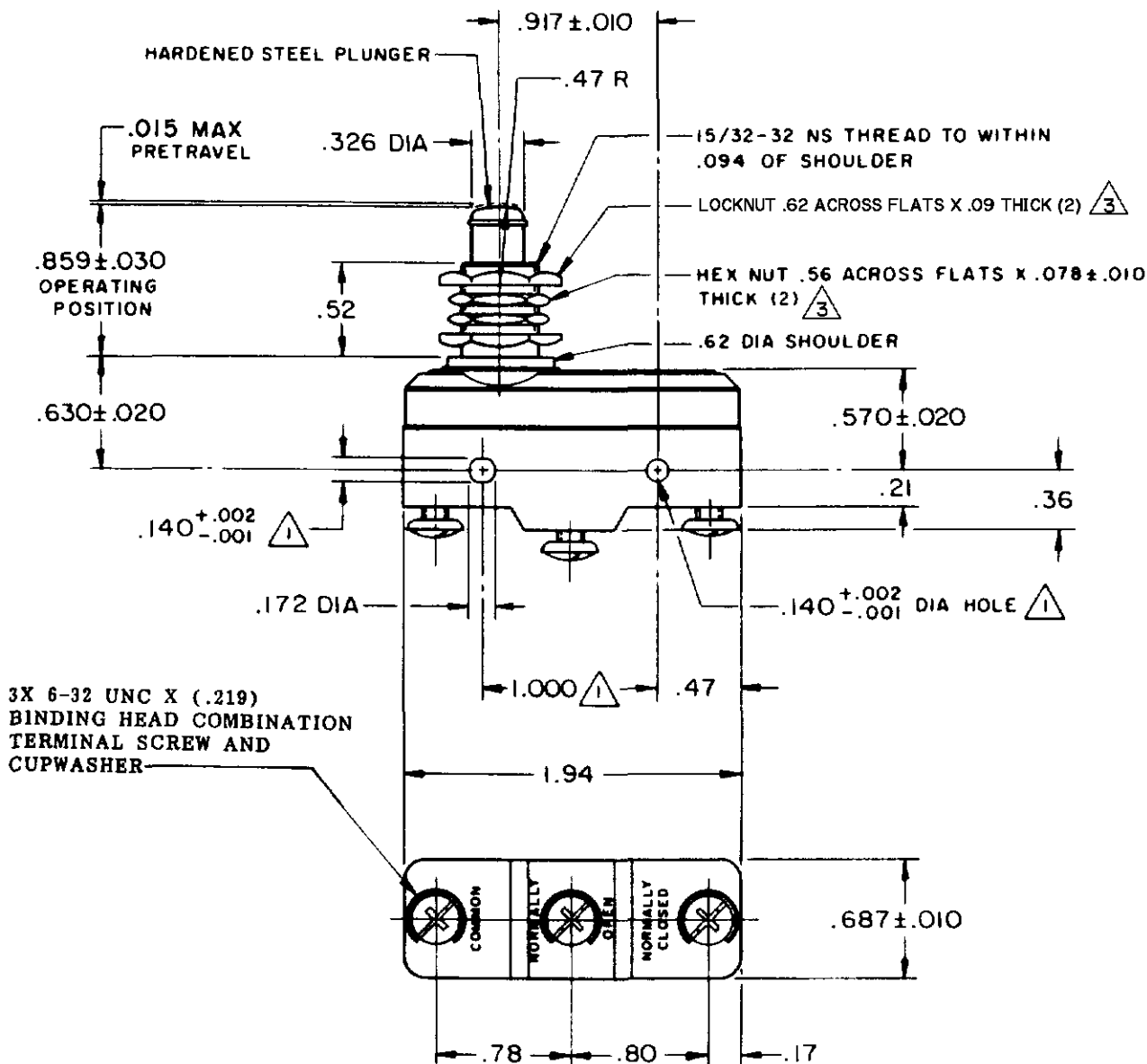
REVISIONS

A	GD17410	GCH	22 MAY 83
B	088	CO18887	H B W
C	PR-1043	GCH	9 DEC 89
D	CO-73287-J	JAL	22 NOV 93
E	CO-77588	MAM	29 MAR 94
F	CO-82133	CSL	30 JUL 96
G	CO93346	D.L.T	10 SEP 98

FORMTEK
FO-80378

DRAWN
GCH 22 MAY 83

CHECK
L.S.D 18 JUN 83



NOTES

- $\triangle 1$ MOUNTING HOLES WILL ACCEPT PINS OR SCREWS OF .139 MAX DIA ON 1.000 \pm .002 CENTERS
- 2 - SWITCH WILL WITHSTAND TEMPERATURE OF 250° F
- $\triangle 3$ HARDWARE FURNISHED UNASSEMBLED

THIS DRAWING COVERS A PROPRIETARY ITEM AND IS THE PROPERTY OF MICRO SWITCH, A DIVISION OF MINNEAPOLIS-HONEYWELL REGULATOR CO. THIS DRAWING IS NOT TO BE COPIED OR USED WITHOUT THE APPROVAL OF MICRO SWITCH.

CHARACTERISTICS

OPERATING FORCE ----- 9 - 13 OZ

RELEASE FORCE ----- 4 OZ MIN

DIFFERENTIAL TRAVEL ----- .0004 - .0020

OVERTRAVEL ----- .219 MIN

ELECTRICAL DATA

CONTACT ARRANGEMENT
S P D T

UNDERWRITERS' LAB INC. LISTED RATING

-L96- 15 A-125, 250, OR 400 VAC
1/2 A-125 VDC, 1/4 A-250 VDC
1/8 NP-125 VAC, 1/4 NP-250 VAC

-L288-

-L299- 16A 250V T85 5E4

-L306-

SCALE FULL

DO NOT SCALE PRINT

UNLESS OTHERWISE NOTED
DIMENSIONS ARE IN INCHES

TOLERANCES ARE:

ONE PLACE (Ø)	\pm .030
TWO PLACE (.00)	\pm .015
THREE PLACE (.000)	\pm .005
ANGLES	\pm

WEIGHT 094 LB