



**Datasheet**

**ENGLISH**

# **Marine Switch**

## **Switch Sealed Rocker**



**Package Contain:**

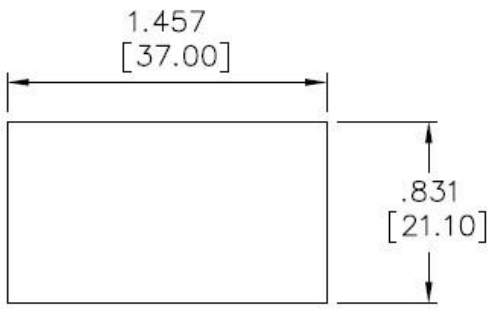
1 x Marine Switch

1 x Gasket

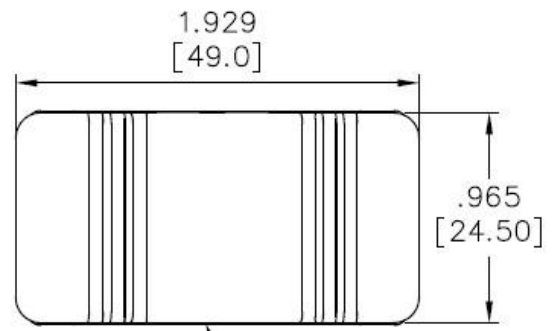
**Specification:**

<b>SWITCH TYPE:</b>		3001748299
<b>POLES/THROWS:</b>		DPDT
<b>SWITCH FUNCTIONS:</b>		ON-(ON)
<b>ELECTRICAL CHARACTERISTICS</b>	<b>CONTACT RATING:</b>	16(8)A 125/250V~ $\mu$ 20(8)A 125/250V~ $\mu$ 16A DC30V $\mu$
	<b>ELECTRICAL LIFE:</b>	30,000 make-and-break cycles at full load
	<b>CONTACT RESISTANCE:</b>	20m-ohms max. initial @ 2-4VDC, 100mA
	<b>INSULATION RESISTANCE:</b>	Apply 500VDC for 1min $\pm$ 5sec. After which measurement to be made b/w terminals shall result 100M-ohms min.
	<b>DIELECTRICAL STRENGTH:</b>	1,500VAC (50Hz-60Hz) RMS @ sea level shall result no damage to parts arcing or flashover
	<b>OPERATING TEMPERATURE:</b>	-30Celsius degree to +85Celsius degree
<b>RELAIBILITY PERFORMANCE</b>	<b>MECHANICAL LIFE:</b>	Without load, 30,000cycles min.
	<b>IP PROTECTION CLASS:</b>	Front panel protection to IP67
	<b>SOLDERING HEAT RESISTANCE:</b>	Max soldering temperature @ 260Celsius degree, immersion time 5+/-1sec, frequency of soldering process @ 2 times max.
	<b>COLD TEST:</b>	Stored at temperature -30(+/-3)Celsius degree for 48 hours, shall result no changes to switch's electrical performance
	<b>HOT TEST:</b>	Stored at temperature +85(+/-3)Celsius degree for 48 hours, shall result no changes to switch's electrical performance
	<b>HUMIDITY TEST:</b>	Stored at temperature 40(+/-3)Celsius degree with relative humidity 90%~95% for 48 hours, shall result no changes to switch's electrical performance
	<b>SALT SPRAY TEST:</b>	Stored at temperature @ 35(+/-3)Celsius degree, and salt solution concentration of 5% with full air temperature @ 47(+/-3) Celsius degree and air pressure 1.0kg for 48 hours. The switch shall result no corrosion as well as no apparent changes to its functional performance. Per ASTM-B117 & JIS-Z371 STD.

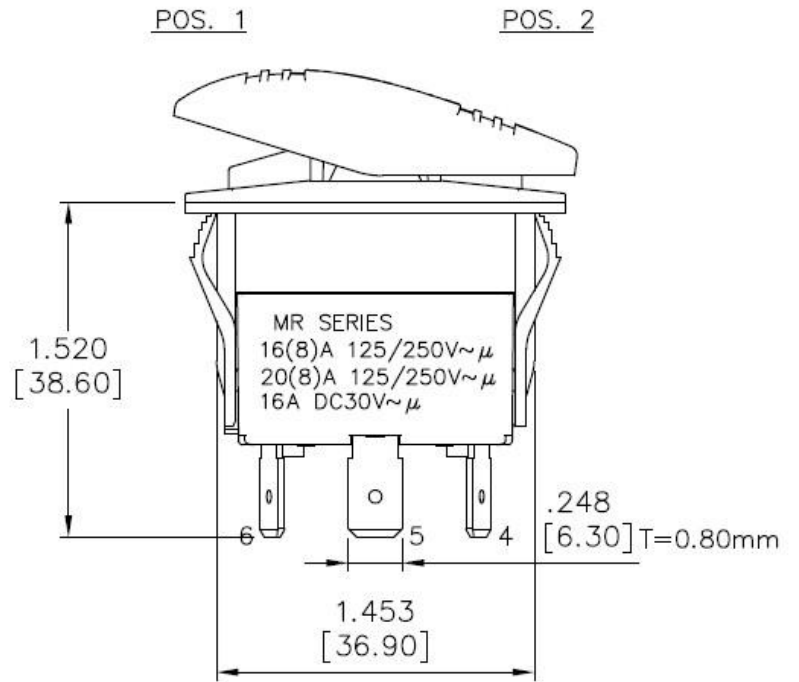
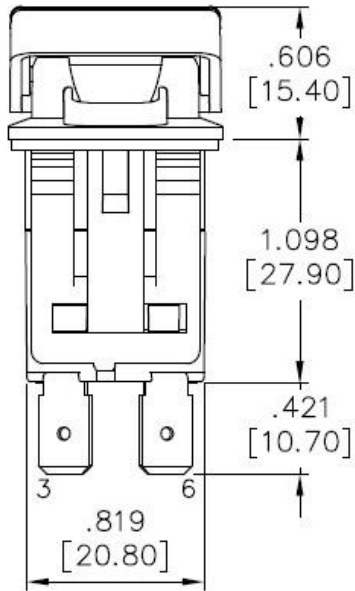
<b>MATERIAL CHARACTERISTICS</b>	<b>BASE:</b>	<b>PBT, UL94V-0</b>
	<b>ACTUATOR:</b>	<b>PC and PA66 (Hard surface) TPR (Soft surface) With added UV protection (optional)</b>
	<b>ACTUATOR COLOR:</b>	<b>Black</b>
	<b>COVER:</b>	<b>PA66, UL94V-0</b>
	<b>ACTUATOR BLOCK:</b>	<b>PC, UL94V-0</b>
	<b>PIVOT PIN:</b>	<b>PES, UL94V-0</b>
	<b>SPRING:</b>	<b>Stainless steel</b>
	<b>CONTACT:</b>	<b>Copper alloy, silver rivet</b>
	<b>TERMINALS:</b>	<b>Brass, tin plated</b>
	<b>SEAL:</b>	<b>Silicone</b>
<b>SOLDERING &amp; CLEANING RECOMMENDATION</b>	<b>HAND SOLDERING:</b>	<b>Max. temperature @ 350Celsius degree (662F)with continuous soldering time @ 3sec. max.</b>
	<b>CLEANING PROCESS:</b>	<b>Noted, the switch is "not totally sealed" so it is important not to immerse/spray or clean unsealed areas of the switch during flux removal. Improper cleaning could cause switch deficiencies such as intermittence or open contact failures</b>
<b>PACKAGE</b>	<b>INTERNAL PACKAGING:</b>	<b>1pcs per PE bag</b>
	<b>RoHS IDENTIFICATIONS:</b>	<b>Bag is attached with a label marking "RoHS"</b>
<b>PRODUCT HANDLING &amp; STORING</b>	<p>The switch is suitable for power rated applications, rating recommendation is per aforementioned above (Contact rating section)</p> <p>Problem relates to terminal oxidization can be prevented by storing product in an environment that is dry and cool with the relative humidity less than 90%. Noted, prior to mounting products onto circuit board as well as for unused units, it is recommended to keep them in the bag and with the bag sealed.</p>	



Panel Cutout



Hard Actuator in Black



MODEL NO.	SWITCH POSITION		
	ON	NONE	(ON)
DP-2	ON	NONE	(ON)
Term. Comm.	2-1,5-4	OPEN	2-3,5-6