



| Auxiliary supply Us                    |   |               |              |
|--|---|---------------|--------------|
| Auxiliary rated supply voltage AC      | VAC   | 100...440     |              |
| Auxiliary rated supply voltage DC      | VDC   | 120...250     |              |
| Auxiliary operating voltage range      |   |               |              |
| AC                                     |   | min           | VAC 90       |
|  |   | Max           | VAC 484      |
| DC                                     |   | min           | VDC 93.5     |
|  |   | Max           | VDC 300      |
| Operational frequency                  |   | min           | Hz 45        |
|  |   | max           | Hz 66        |
| Power consumption                      |   | Max           | VA 9.5       |
| Power dissipation Max                  | W   | 3.5           |              |
| Measuring voltage inputs               |   |               |              |
| Rated voltage (Ue)                     |   | phase-phase   | VAC 600      |
|  |   | phase-neutral | VAC 300      |
| Operating voltage range                |   | phase-phase   | VAC 50...720 |
|  |   | phase-neutral | VAC 30...360 |
| Voltage inputs operational frequency   |   | min           | Hz 45        |
|  |   | max           | Hz 66        |
| Voltage inputs measurement method      | True RMS  |               |              |
| Connection method                      | Single. two. three-phase with or without neutral. balanced three-phase system |               |              |
| Current inputs                         |   |               |              |
| Rated current (Ie)                     | A   | 1A/5A         |              |
| Current reading through Rogowski coils | A   | 20...6300     |              |
| Measurement range                      | 0.025...6A  |               |              |
| Measurement method                     | TRMS  |               |              |
| Overload capacity                      | +20% Ie by external CT with 5A secondary                                      |               |              |
| Overload peak                          | A   | 50A for 1s    |              |
| Current                                |   |               |              |
| IEC maximum (Imax)                     | A   | 100           |              |
| Accuracy                               |   |               |              |
|  | VLN voltage   | ±0.5%         |              |
|  | VLL voltage   | ±0.5%         |              |

FLUSH-MOUNT LCD MULTIMETER, EXPANDABLE, BACKLIGHT ICON LCD DISPLAY, 72X46MM/2.8X1.8", AUXILIARY SUPPLY 100-440VAC/120-250VDC, FRONT OPTICAL PORT AND RS485 PORTS. CURRENT READING THROUGH 3 ROGOWSKI COILS INCLUDED, MAX CURRENT 100A, Ø50MM AND CABLE LENGTH 2M

|                 |                           |
|-----------------|---------------------------|
| Current         | ±0.5%                     |
| Frequency       | ±0.05%                    |
| Active power    | ±0.5%                     |
| Active energy   | Class 1 (IEC/EN 62053-21) |
| Reactive energy | Class 2 (IEC/EN 62053-23) |

### Insulations

|                                       |    |     |
|---------------------------------------|----|-----|
| Rated insulation voltage Ui IEC/EN    | V  | 600 |
| Rated impulse withstand voltage Uimp  | kV | 9.5 |
| Operating frequency withstand voltage | kV | 5.2 |

### Functions

|                                 |            |
|---------------------------------|------------|
| Harmonic analysis               | 15th order |
| PLC logic                       | No         |
| Type of communication port      | RS485      |
| Ethernet-RS485 gateway function | No         |

### Mechanical features

|                         |           |                 |     |
|-------------------------|-----------|-----------------|-----|
| Housing type            | Polyamide |                 |     |
| Terminals type          | Removable |                 |     |
| Conductor cross section |           |                 |     |
|                         | min       | mm <sup>2</sup> | 0.2 |
|                         | Max       | mm <sup>2</sup> | 2.5 |
|                         | min       | AWG             | 24  |
|                         | Max       | AWG             | 12  |

|                         |      |     |
|-------------------------|------|-----|
| Tightening torque (Max) |      |     |
|                         | Nm   | 0.5 |
|                         | lbin | 4.5 |

|        |                |     |
|--------|----------------|-----|
| Fixing | Flush-mounting |     |
| Weight | g              | 350 |

### Ambient conditions

|                       |     |    |     |
|-----------------------|-----|----|-----|
| Temperature           |     |    |     |
| Operating temperature |     |    |     |
|                       | min | °C | -20 |
|                       | max | °C | +60 |

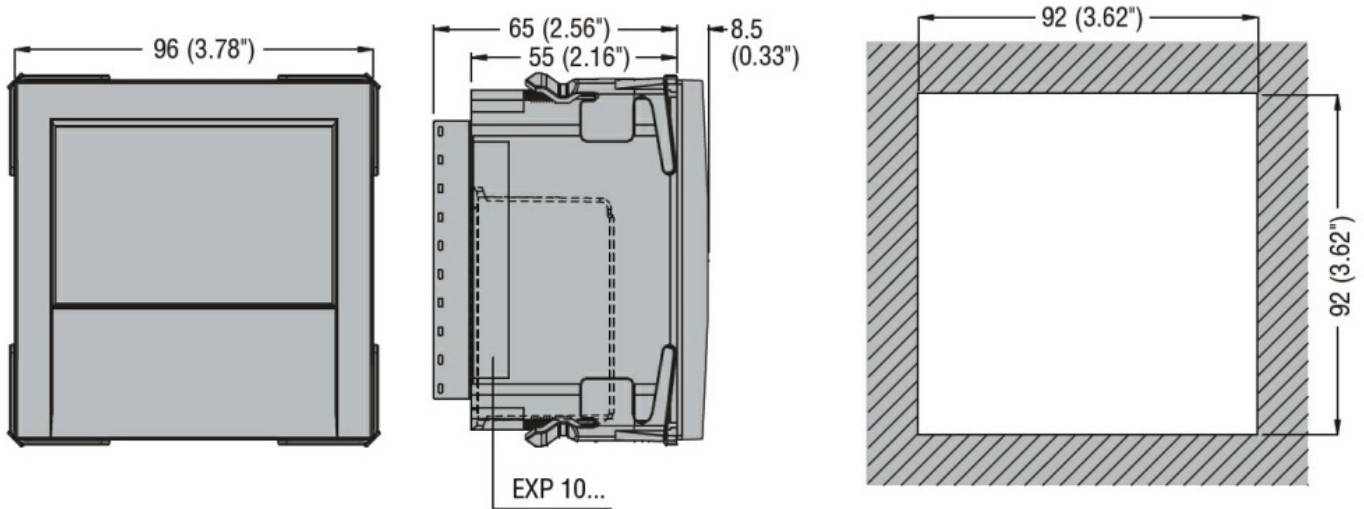
|                     |     |    |     |
|---------------------|-----|----|-----|
| Storage temperature |     |    |     |
|                     | min | °C | -30 |
|                     | max | °C | +80 |

|                          |   |     |
|--------------------------|---|-----|
| Relative humidity        | % | <90 |
| Maximum Pollution degree |   | 2   |

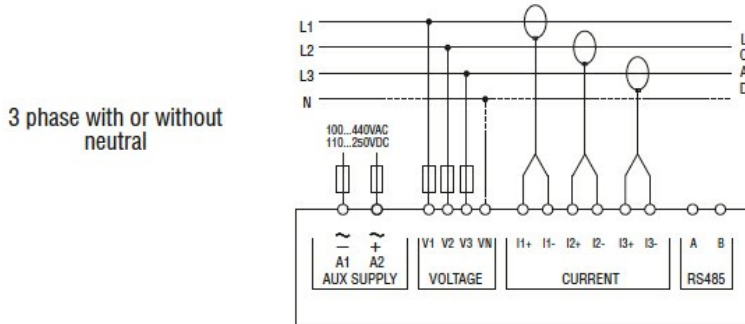
|                   |                                   |
|-------------------|-----------------------------------|
| Protection degree | IP54 on front -<br>IP20 terminals |
|-------------------|-----------------------------------|

### Dimensions

FLUSH-MOUNT LCD MULTIMETER, EXPANDABLE, BACKLIGHT ICON LCD DISPLAY, 72X46MM/2.8X1.8", AUXILIARY SUPPLY 100-440VAC/120-250VDC, FRONT OPTICAL PORT AND RS485 PORTS. CURRENT READING THROUGH 3 ROGOWSKI COILS INCLUDED, MAX CURRENT 100A, Ø50MM AND CABLE LENGTH 2M



**Wiring diagrams**



**Certifications and compliance**

**Compliance**

- IEC/EN 61000-6-2
- IEC/EN 61000-6-3
- IEC/EN 61010-1
- IEC/EN 61010-2-030

**Certificates**

EAC

**ETIM classification**

ETIM 8.0

EC002301 -  
Multifunction  
measuring  
instrument