



Datenblatt - Fiche technique - Data sheet

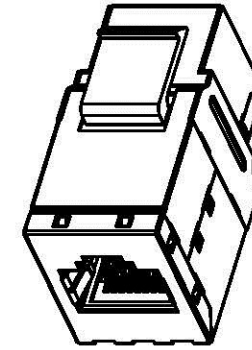
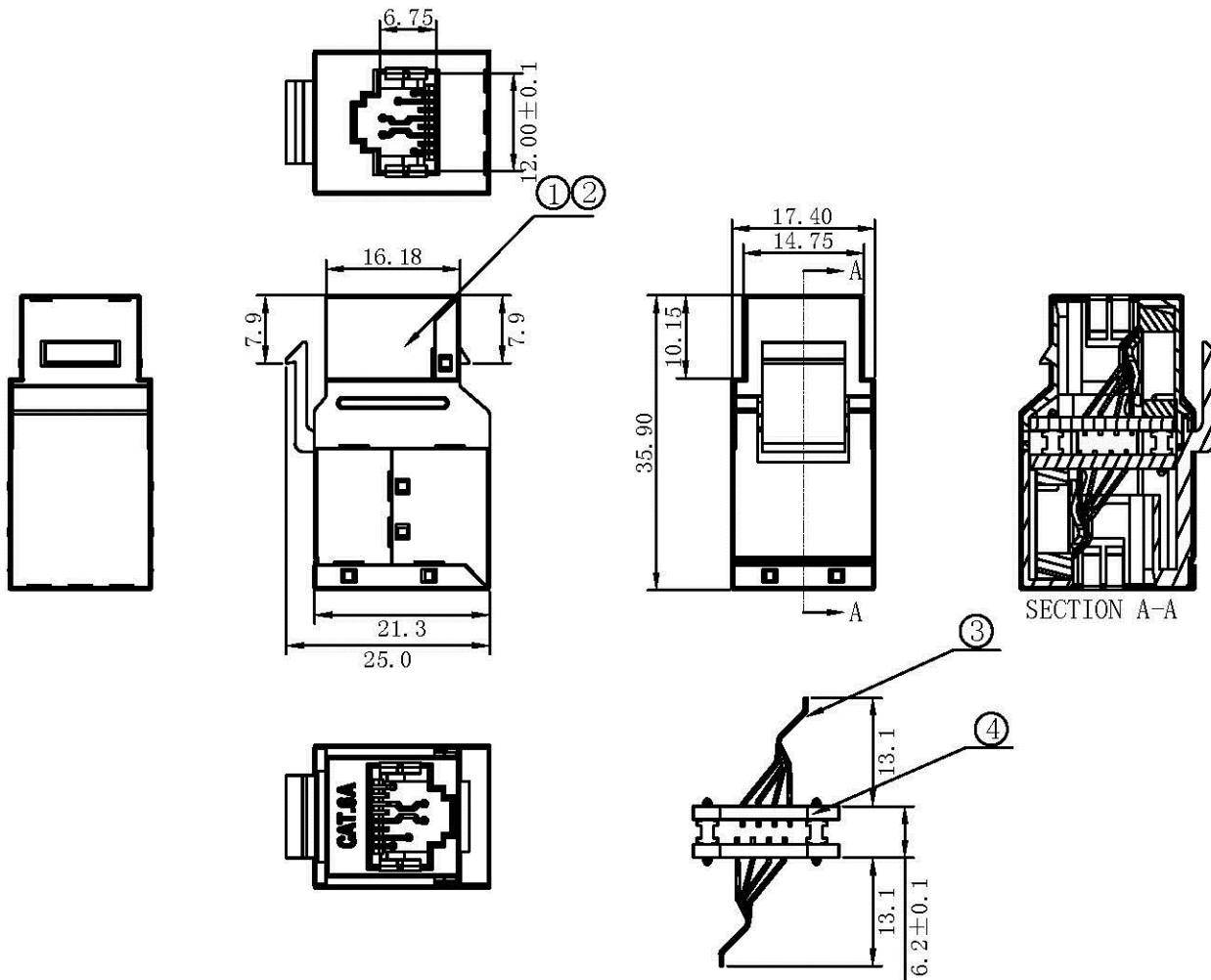
21.17.3006



ROLINE RJ-45 Kupplung, Keystone, geschirmt, Kat. 6A

ROLINE Coupleur Keystone RJ-45 blindé, Cat. 6A

ROLINE Cat.6a Keystone Modular Coupler, STP



NOTES:

ELECTRICAL:

1. Contact Resistance: 20MΩ MAX.
2. Insulation Resistance: 500MΩ MIN. @500V DC
3. Withstand Voltage: DC 1000V AC 700V RMS 60Hz, 1MIN
4. Component testig for Cat. 6A to ISO/IEC 11801 Ed. 2.2:2011-06
DIN EN 50173-1:2011-09
TIA/EIA-568-C.2 (2009-08)

ENVIRONMENTAL:

1. Storage temperature: -40 °C ~ +70 °C
2. Operating temperature: -10 °C ~ +60 °C

MECHANICAL:

1. RJ45 Contact Life: 750 times Min.
2. Plug in force: <N30

Fluke Test: Permanent Link ISO 11801 (PL2) Class Ea

MATERIAL LIST:

④	PCB	FR-4	2	
③	Contact	8P8C 3u" Gold Plated	16	
②	Shielded	Nickel Plated brass t= 0.2mm	1	
①	Shell	ABS	1	
NO	PARTS NAME	SPECIFICATION STANDARD	QT' Y	REMARK

SECOMP			
Item no.	21.17.3006		
Desc.	ROLINE Keystone Modular Coupler Cat. 6A, STP, silver		
DRAWNBY	CHECKBY	APPOBY	DATE
			2015-01-05

		NEW	2015-01-05	A
BY	CHK	REVISION RECORD MODIFICATIONS	DATE	REV.