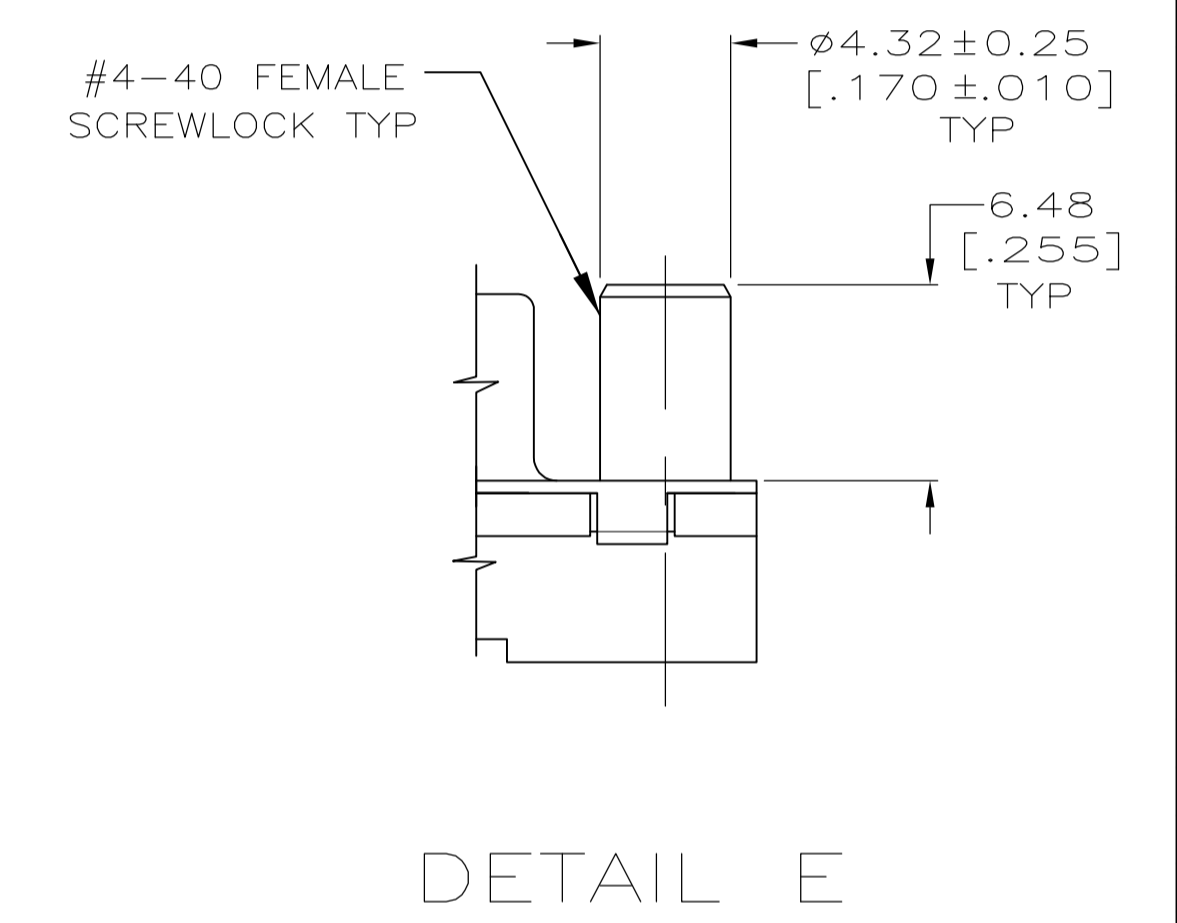
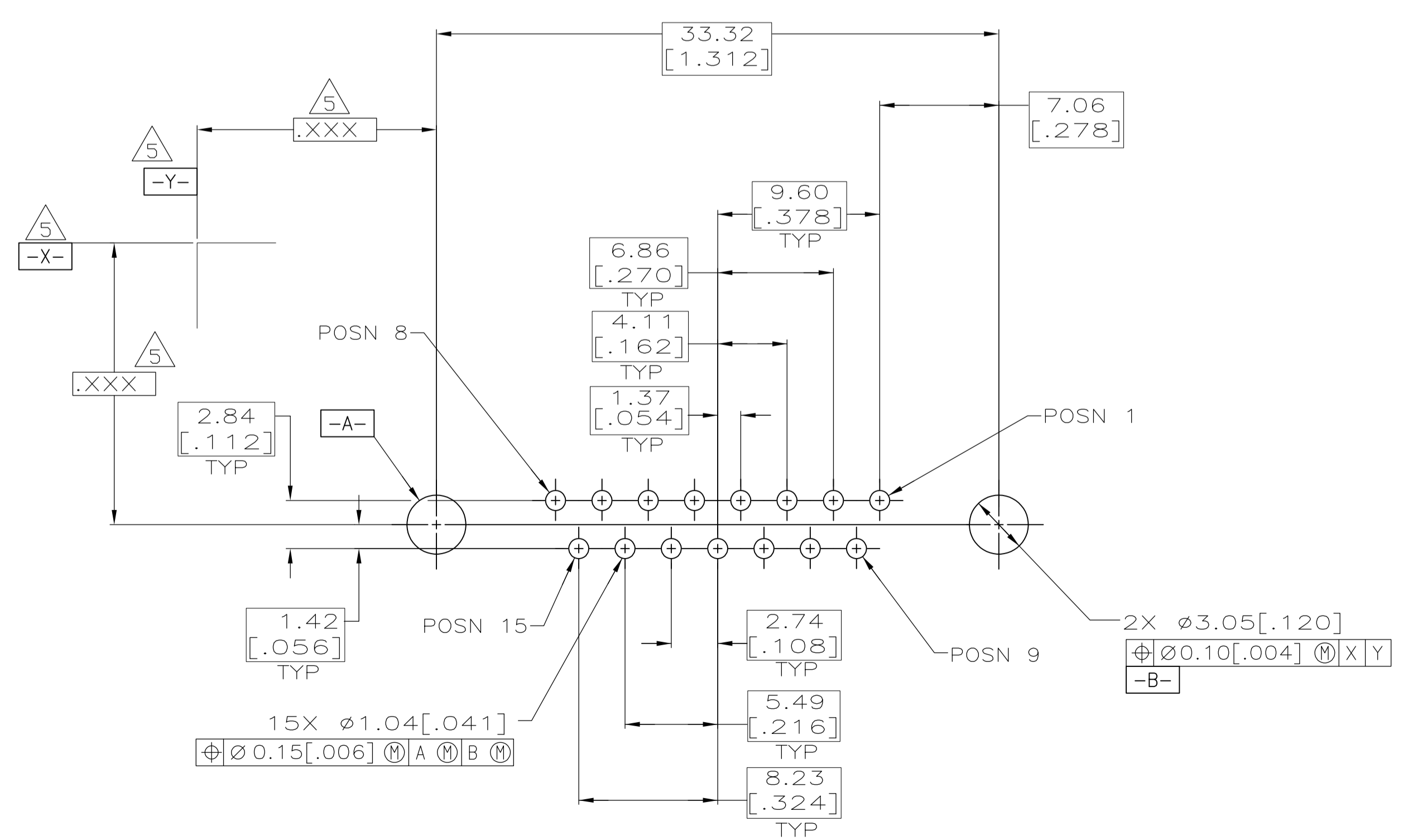


DETAIL D



DETAIL E



RECOMMENDED PC BOARD MOUNTING DIMENSIONS

- 1 HOUSING: POLYESTER, UL 94V-0 RATED, COLOR BLACK.
SHELL: CARBON STEEL.
CONTACTS: PHOS BRONZE.
INSERTS: BRASS.
SCREWLOCKS: ZINC.
- 2 SHELL: 5.08µm [.000200] MIN TIN OVER 2.54µm [.000100] MIN COPPER.
CONTACTS: SEE TABLE.
INSERTS: UNPLATED.
SCREWLOCKS: CLEAR CHROMATE COATING.
- 3 GOLD FLASH FOR A LENGTH OF 2.54 [.100] MIN FROM MATING END, 2.54µm [.000100] MIN TIN ON BOTH END, BOTH OVER 1.27µm [.000050] MIN NICKEL.
- 4 0.76µm [.000030] MIN GOLD FOR A LENGTH OF 2.54 [.100] MIN FROM MATING END, 2.54µm [.000100] MIN TIN ON OPPOSITE END, BOTH OVER 1.27µm [.000050] MIN NICKEL.
- 5 DATUMS AND BASIC DIMENSIONS ESTABLISHED BY CUSTOMER.
- 6 2.79 [.110] MAX IN SHELL TAB CLINCH AREAS.

OBSOLETE	PER DETAIL E	4	4.32 [.170]	1-5747299-6
	PER DETAIL E	4	3.18 [.125]	1-5747299-4
	PER DETAIL E	3	3.18 [.125]	1-5747299-3
	PER DETAIL D	3	3.18 [.125]	5747299-7
AS SHOWN		4	4.32 [.170]	5747299-4
AS SHOWN		4	3.18 [.125]	5747299-2
HARDWARE OPTIONS		CONTACTS		PART NO
HARDWARE OPTIONS		FINISH		
C				

THIS DRAWING IS A CONTROLLED DOCUMENT.		DIN B. LATTUCA 22SEPT05		STE TE Connectivity	
DIMENSIONS: INCHES		TOLERANCES UNLESS OTHERWISE SPECIFIED:		RECEPTACLE ASSEMBLY, SIZE 2, 15 POSITION, FRONT METAL SHELL, WITH OR WITHOUT SCREWLOCKS OR INSERTS, AMPLIMITE HD-20	
0 PLC ± -		1 PLC ± -		SIZE: A1	
1 PLC ± -		2 PLC ± 0.13 [.005]		SCALE: 4:1	
2 PLC ± -		3 PLC ± -		SHEET 1 OF 1	
3 PLC ± -		4 PLC ± -		REV B1	
4 PLC ± -		ANGLES ± -			
MATERIAL		FINISH		CUSTOMER DRAWING	
1		2			