

# Customer Information Sheet

DRAWING No.: M80-867XXX

SHEET 2 OF 2

IF IN DOUBT - ASK

©

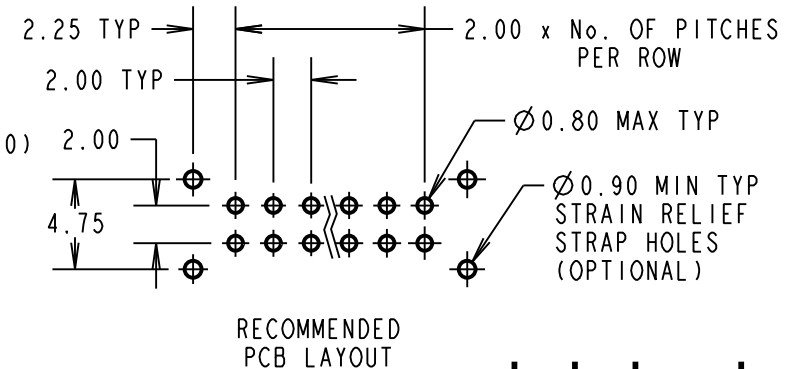
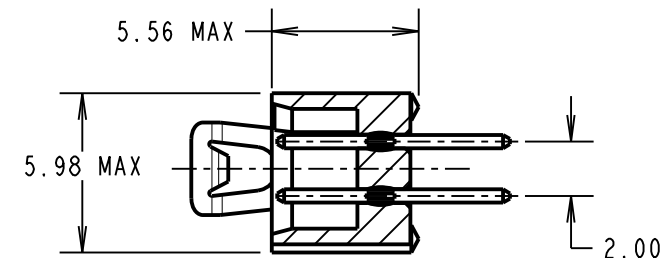
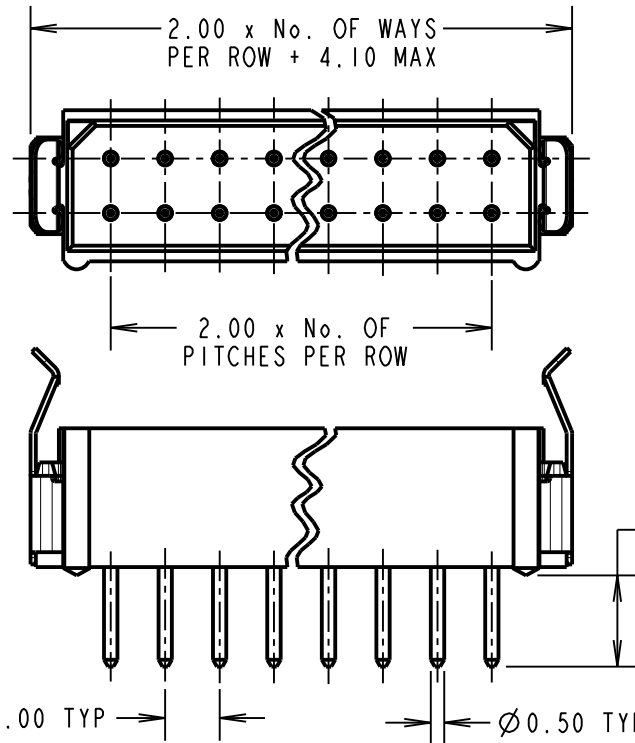
NOT TO SCALE

THIRD ANGLE PROJECTION

ALL DIMENSIONS IN mm

**SPECIFICATIONS:**

**MATERIAL:**  
 MOULDING = GLASS-FILLED POLYESTER,  
 UL94V-0, BLACK  
**CONTACTS = PHOSPHOR BRONZE**  
**LATCHES = BERYLLIUM COPPER**  
**FINISH:**  
**CONTACTS:**  
 05 = 0.75µ GOLD  
 22 = 0.75µ GOLD ON CONTACT AREA.  
 3.0µ 90/10 TIN/LEAD ON TAILS  
**LATCH = 1.25µ NICKEL**  
**ELECTRICAL:**  
 CURRENT RATING (25°C) = 3.0A MAX.  
 CURRENT RATING (85°C) = 2.2A MAX.  
 WORKING VOLTAGE = 120V AC/DC  
 VOLTAGE PROOF = 360V AC/DC  
**CONTACT RESISTANCE:**  
 INITIAL = 20 mΩ MAX.  
 AFTER CONDITIONING = 25 mΩ MAX.  
**INSULATION RESISTANCE:**  
 INITIAL = 1000 MΩ MIN.  
 AFTER CONDITIONING = 100 MΩ MIN.  
**MECHANICAL:**  
 DURABILITY = 500 OPERATIONS  
**ENVIRONMENTAL:**  
 TEMPERATURE RANGE = -55°C TO +125°C  
**PACKING:**  
 TUBE  
 FOR COMPLETE SPECIFICATION, SEE  
 COMPONENT SPEC C005XX (LATEST ISSUE)



**NOTES:**

- 2-OFF STRAIN RELIEF STRAPS M80-0030006 MAY BE USED WITH THIS CONNECTOR.
- FOR RoHS COMPLIANT EQUIVALENT PRODUCT USE M80-853XXX CONNECTORS.

BRITISH STANDARD ORDER CODE:

**B5743-2XX-M-T-X**

TOTAL No. OF WAYS  
 04, 06, 08, 10, 12, 14, 16,  
 18, 20, 26, 34, 44

FINISH:  
 1 = SELECTIVE GOLD  
 3 = GOLD

ORDER CODE:

**M80-867XXX**

TOTAL No. OF WAYS  
 04, 06, 08, 10, 12, 14, 16,  
 18, 20, 26, 34, 44

FINISH:  
 05 = GOLD  
 22 = SELECTIVE GOLD + TIN/LEAD

SM	15	24.08.11	11434
NAME	ISS.	DATE	C/NOTE
APPROVED: S. MCCULLAGH			
CHECKED: M. G. PLESTED			
DRAWN: J. CLAY			
CUSTOMER REF.:			
ASSEMBLY DRG:			

**HARWIN**

HARWIN USA  
 TEL: 603 893 5376  
 FAX: 603 893 5396  
 mis@harwin.com

HARWIN Europe (UK)  
 TEL: 023 9231 4545  
 FAX: 023 9231 4590  
 mis@harwin.co.uk

HARWIN Asia  
 TEL: +65 6 779 4909  
 FAX: +65 6 779 3868  
 mis@harwin.com.sg

THIS DRAWING AND ANY INFORMATION OR DESCRIPTIVE MATTER SET OUT HEREON ARE CONFIDENTIAL AND COPYRIGHT PROPERTY OF THE HARWIN GROUP AND MUST NOT BE DISCLOSED, LOANED, COPIED OR USED FOR MANUFACTURING, TENDERING OR FOR ANY OTHER PURPOSE WITHOUT THEIR WRITTEN PERMISSION.

**TOLERANCES**  
 X. = ±1mm  
 X.X = ±0.25mm  
 X.XX = ±0.10mm  
 X.XXX = ±0.01mm  
 ANGLES = ±5°  
 UNLESS STATED

**MATERIAL:**  
 SEE ABOVE  
**FINISH:** SEE ABOVE  
**S/AREA:** mm<sup>2</sup>

**TITLE:** DATAMATE DIL VERTICAL MALE PC TAIL ASSEMBLY - LATCHED  
**DRAWING NUMBER:** M80-867XXX  
 SHT 2 OF 2