

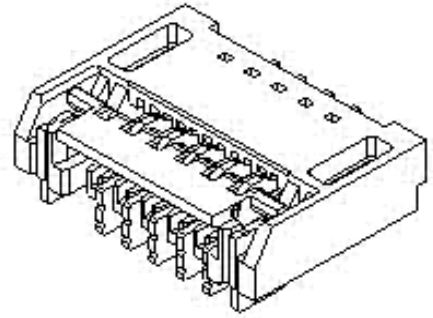
Part Number : [5019122590](#)

Product Description : 0.30mm Pitch Easy-On FPC Connector, Right-Angle, Surface Mount, Bottom Contact Style, 1.80mm Mated Height, 25 Circuits

Series Number : 501912

Status : Obsolete

Product Category : FFC / FPC Connectors



Documents & Resources

Drawings


[5019122590_sd.pdf](#)

Specifications

[PS-501912-001-001.pdf](#)

Product Environment Compliance

Compliance

GADSL/IMDS	Compliant with Exemption 44; 33
China RoHS	per SJ/T 11365-2006 
EU ELV	Not Relevant
Low-Halogen Status	Not Low-Halogen per IEC 61249-2-21
REACH SVHC	Not Contained per D(2025)4165-DC (25 June 2025)
EU RoHS	Compliant per EU 2015/863

Compliance Statements

- EU RoHS
- REACH SVHC
- Low-Halogen

Industry Documents

- IPC 1752A Class C
- IPC 1752A Class D
- Molex Product Compliance Declaration
- IEC-62474

- chemSHERPA (xml)

Substances of Interest

- PFAS

EU RoHS Certificate of Compliance

Additional Product Compliance Information

Part Details

General

Status	Obsolete
Category	FFC / FPC Connectors
Series	501912
Description	0.30mm Pitch Easy-On FPC Connector, Right-Angle, Surface Mount, Bottom Contact Style, 1.80mm Mated Height, 25 Circuits
Comments	Pattern layout, Size Different
Product Name	Easy-On
UPC	822350380683

Electrical

Current - Maximum per Contact	0.2A
Voltage - Maximum	50V

Physical

Actuator Type	Front Flip
Circuits (Loaded)	25
Color - Resin	Black, Natural
Contact Position	Bottom
Durability (mating cycles max)	20
Mated Height	1.80mm
Material - Metal	Copper, Phosphor Bronze
Material - Plating Mating	Gold
Material - Plating Termination	Gold
Material - Resin	High Temperature Thermoplastic
Net Weight	122.348/mg
Orientation	Right Angle

Packaging Type	Embossed Tape on Reel
PCB Locator	No
PCB Mounting	Surface Mount
PCB Retention	None
Pitch - Mating Interface	0.30mm
Pitch - Termination Interface	0.30mm
Plating min - Mating	0.102µm
Plating min - Termination	0.051µm
Polarized to PCB	No
Stackable	No
Temperature Range - Operating	-40° to +105°C
Wire/Cable Type	FPC only

This document was generated on Aug 06, 2025

Obsolete