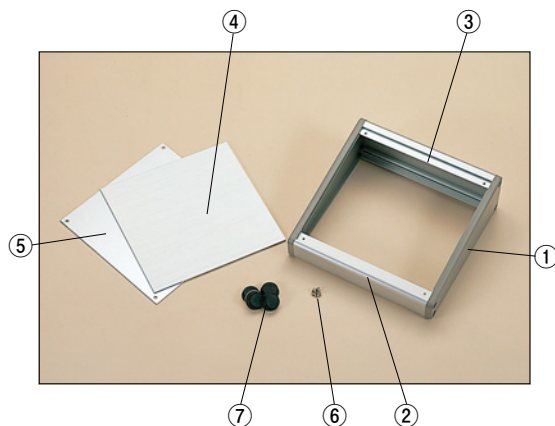


# CF SERIES

## CF SLOPED ENCLOSURE

Technical data  
Protection class IP40



### FEATURE

- Very simple design box has 10° inclination for superior operability.
- Both slide panel and screwed panel can be used as the front panel.
- Suitable for console or control device.

### Components

Ref. #	Part name	Pcs	Material	Color / Finish
1	Side plate	2	ABS (UL94V-0)	Black · Gray
2	Front frame	1	Aluminium extrusion	Silver · Black / Anodized
3	Rear frame	1	Aluminium extrusion	Silver · Black / Anodized
4	Slide panel	1	Aluminium t1.5	Black painted
			Aluminium t1.5	Silver anodized hair-line finish
5	Screwed panel	1	Aluminium t1.5	Black painted
			Aluminium t1.5	Silver anodized hair-line finish
6	Screw	1 set	Steel	Black trivalent chromate · Nickel painted
7	Rubber feet	4	Rubber	Black

### Color Type

Color code	Frame color	Side plate
BB	Black	Black
GS	Silver	Gray

### Part no. / Dimensions

Part no.	W	H1	H2	D	a	Weight(kg)
CF 7-11□□	70	28.4	48.3	111	57	0.15
CF 11-11□□	110	28.4	48.3	111	97	0.21
CF 16-11□□	160	28.4	48.3	111	147	0.29
CF 22-11□□	220	28.4	48.3	111	207	0.38
CF 28-11□□	280	28.4	48.3	111	267	0.47
CF 12-18□□	120	32.4	66.2	181.3	104	0.38
CF 18-18□□	180	32.4	66.2	181.3	164	0.53
CF 27-18□□	270	32.4	66.2	181.3	254	0.76
CF 35-18□□	350	32.4	66.2	181.3	334	0.97
CF 43-18□□	430	32.4	66.2	181.3	414	1.17

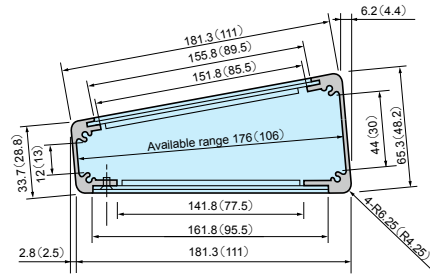
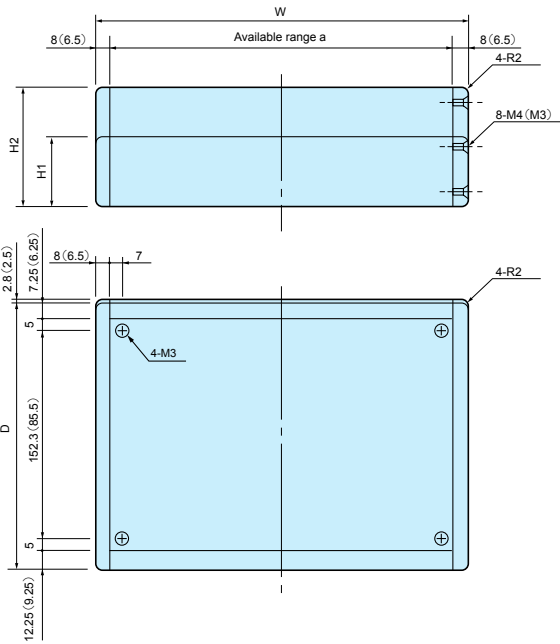
• Please suffix color code at the end of part number □□ when ordering CF series.

Part no.	W	H1	H2	D	a	Weight(kg)
CF 15-23□□	150	39.6	79.7	230.9	131	0.52
CF 21-23□□	210	39.6	79.7	230.9	191	0.7
CF 27-23□□	270	39.6	79.7	230.9	251	0.88
CF 36-23□□	360	39.6	79.7	230.9	341	1.14
CF 45-23□□	450	39.6	79.7	230.9	431	1.41
CF 21-28□□	210	49.8	98.6	281	191	0.93
CF 28-28□□	280	49.8	98.6	281	261	1.17
CF 36-28□□	360	49.8	98.6	281	341	1.46
CF 45-28□□	450	49.8	98.6	281	431	1.77

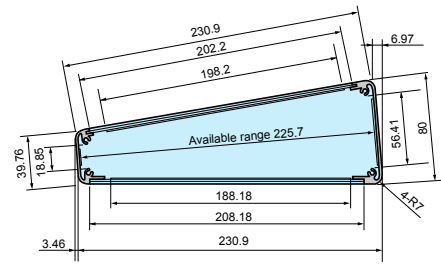
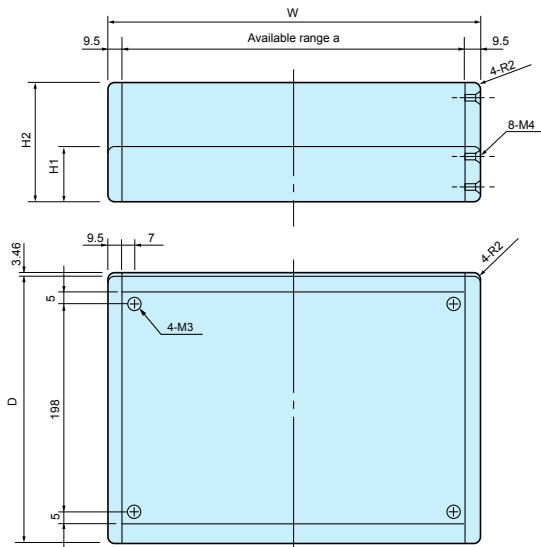
• CAD data is downloadable from our website.

**CF dimensions**

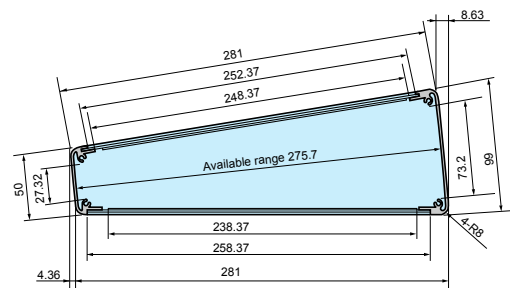
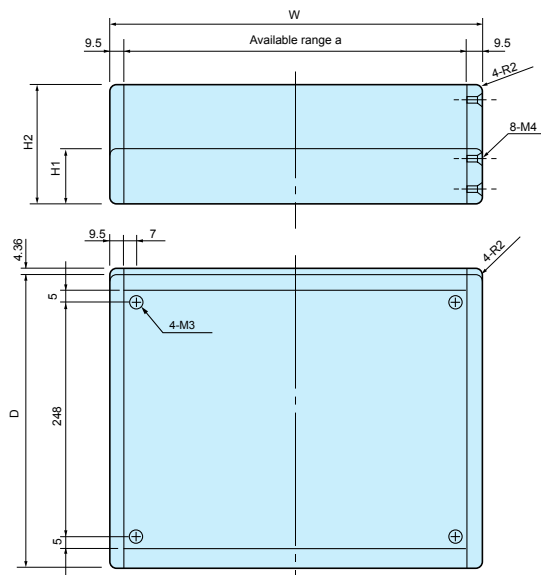
CF□-11 Series ( ) = Dimension of CF □-11  
 CF□-18 Series



CF□-23 Series



CF□-28 Series



**Accessories (Optional parts)**



## TORX SCREW SET for CH · CF series



- Torx screw pack for a unit including 4pcs of slotted raised countersunk head screws for fastening a panel and 8pcs of countersunk head screws for fastening end-panels.



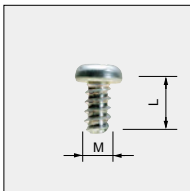
### Suitable enclosure

Part no.	Enclosure series
MR-3CS	CH4-□-10, CH6-□-14, CF□-11 series
MR-4CS	CH7-□-17, CH8-□-23, CF□-18, CF□-23, CF□-28 series

### Part no. / Dimensions

Part no.	Size · Pcs	Torx head size	Material	Color / Finish
MR-3CS	M3-10mm×8pcs, M3-5mm×4pcs	T10(M3), T20(M4)	Steel	Nickel plated
MR-4CS	M4-12mm×8pcs, M3-5mm×4pcs			

## EM TAPPING SCREW



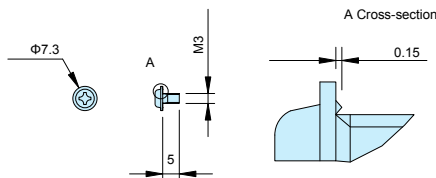
- Self-tapping screws are for mounting PCB on bosses or standoffs.
- EM-3-6 self-tapping screws are suitable for mounting 1.6mm or thicker PCB.

### Part no. / Dimensions

1 pack = 50 pcs

Part no.	M	L	Material	Color / Finish
EM-1.6	1.6	4	Steel	Trivalent chromate
EM-2	2	5	Steel	Trivalent chromate
EM-2.3	2.3	6	Steel	Trivalent chromate
EM-3	3	5	Steel	Trivalent chromate
EM-3-6	3	6	Steel	Trivalent chromate

## EV CONDUCTIVE SCREW



### FEATURE

- The protrusion on the back of screw head will shave the surface of painting or anodized enclosure for conduction.

### Part no. / Dimensions

1pack = 20pcs

Part no.	M	L	Material	Finish
EV3-5S	3	5	Steel	Nickel plated