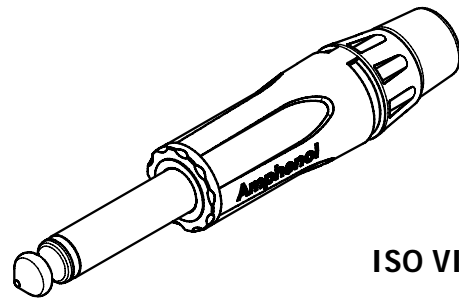
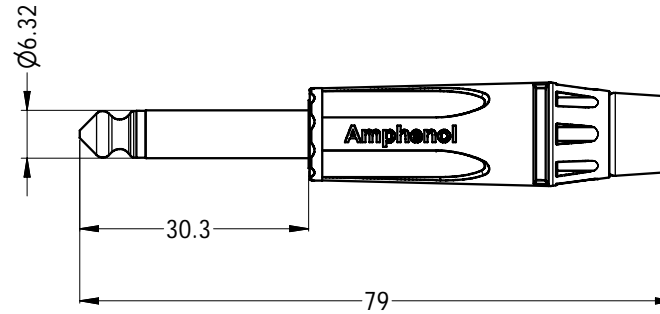
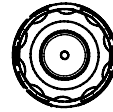


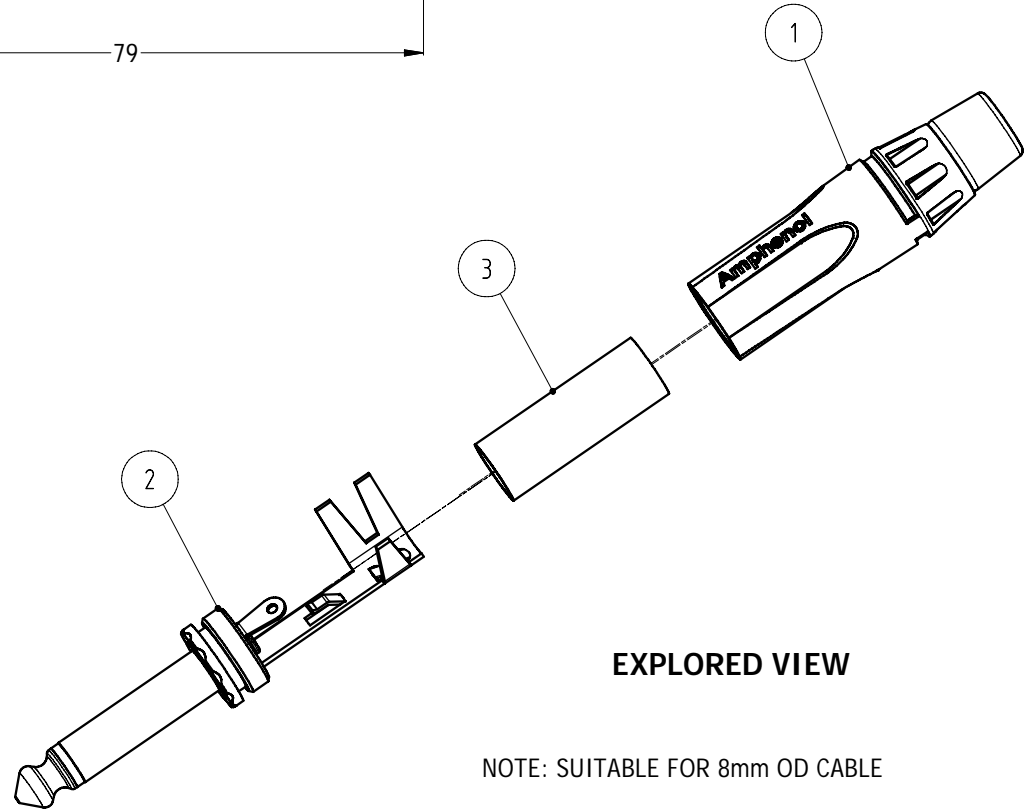
LEGEND  = KEY PRODUCT CHARACTERISTICS

REVISION HISTORY

REV	DESCRIPTION	DATE	BY	ECN
0	FIRST ISSUE	10/12/2010	M.H	8983



ISO VIEW



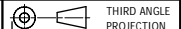
EXPLORED VIEW

NOTE: SUITABLE FOR 8mm OD CABLE

ITEM	PART NUMBER	DESCRIPTION	QTY
3	51270016-521	INSULATE PVC TUBE CLEAR	1
2	50310041-330/130	MONO INSERT ASSEMBLY NICKEL/GOLD	1
1	53490006-331/431	DIECAST SHELL NICKEL/BLACK FINISH	1

Parts List

PART NUMBER		
PART NUMBER	SHELL FINISH	CONTACT FINISH
ACPM-KN	NICKEL	NICKEL RING, SLEEVE & TIP
ACPM-KN-AU	NICKEL	GOLD RING, SLEEVE & TIP
ACPM-KB	BLACK	NICKEL RING, SLEEVE & TIP
ACPM-KB-AU	BLACK	GOLD RING, SLEEVE & TIP

UNLESS OTHERWISE SPECIFIED TOLERANCE TO BE		THIS DOCUMENT IS THE PROPERTY OF AMPHENOL AUSTRALIA PTY. LTD. NO PART THEREOF MAY BE REPRODUCED AND USED WITHOUT THE PRIOR WRITTEN CONSENT OF THE OWNER			
LINEAR	ANGULAR	MATERIAL: SEE PARTS LIST & TABLE	DRN: T.Z	DATE: 10-12-10	TITLE: 1/4" MONO PHONE PLUG M-SERIES II CUSTOMER DRAWING
X ±0.5 X.X ±0.25 X.XX ±0.1	X' ±1 X.X' ±30' X.XX' ±15'		CKD: M.H	DATE: 10-12-10	
BREAK ALL SHARP EDGES AND REMOVE ALL BURRS		FINISH: SEE TABLE	APP'D: P.M	DATE: 10-12-10	PART No: SEE TABLE
DO NOT SCALE		DIMENSIONS IN MILLIMETRES	SCALE: 2:1	SIZE: A4	
			THIRD ANGLE PROJECTION	SCALE: 2:1	CAD FILE: 55010732000120

Amphenol Amphenol Australia Pty.Ltd, 2 Fiveways Blvd, Keysborough, VIC 3173

DRAWING NO. 55010732-000-1		SHEET 1/2
----------------------------	--	-----------