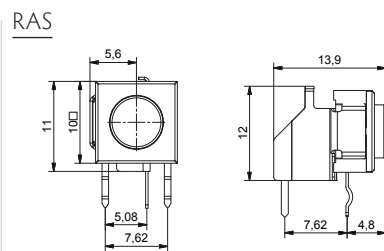
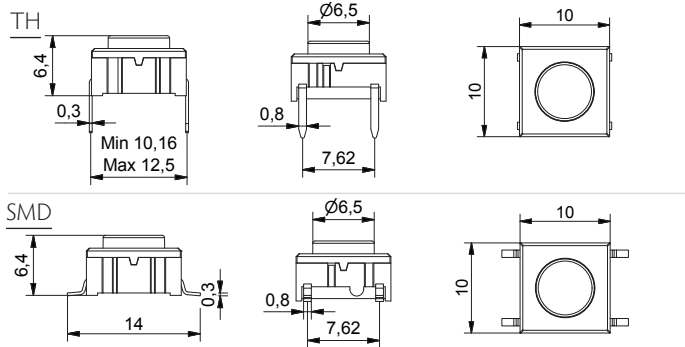




- Through-hole (TH) or surface mount (SMD)
- 50mA/24VDC
- Single pole/momentary
- 10,000,000 operations lifetime
- Temperature range:
 - High temp: -40/+160C
- IP 67 sealing
- Actuation force: 3.5N
- Most caps in the catalogue have a version for mounting on 3F switch as well. Contact MEC for further information.

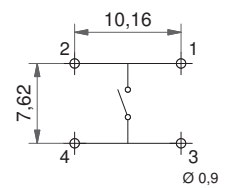
All dimensions in mm

3C (TH, SMD & RAS)

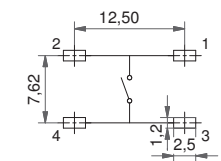


PCB LAYOUT

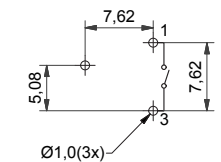
Through-hole



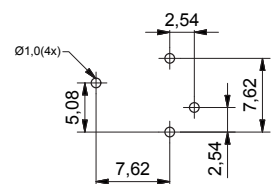
Surface mount



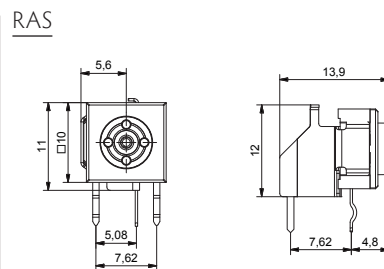
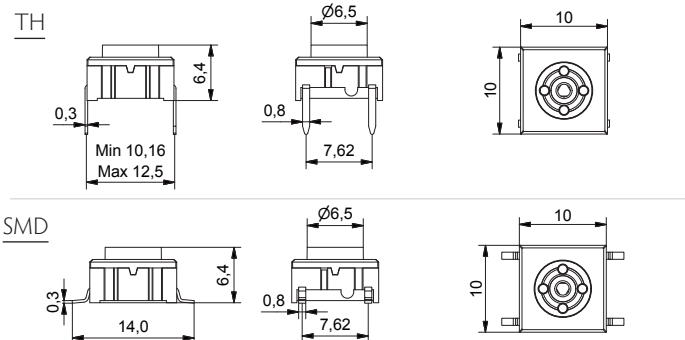
Through-hole RAS



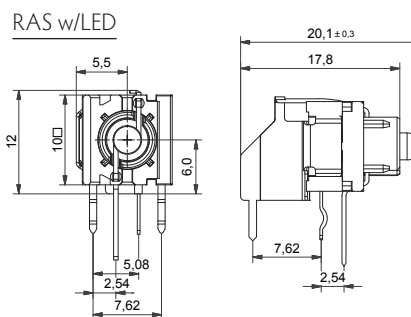
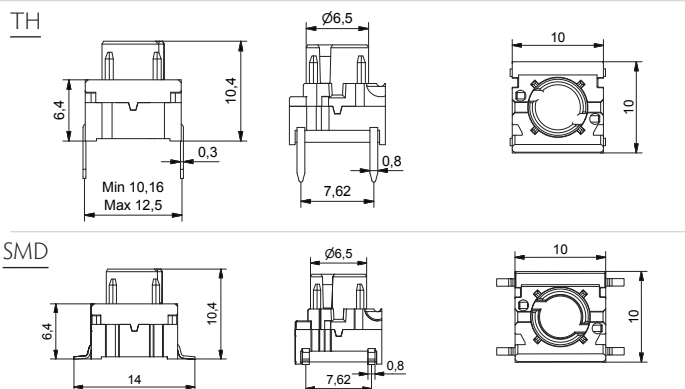
Through-hole illuminated RAS



3E (TH, SMD & RAS)



3F (TH, SMD & RAS w/LED)



HOW TO ORDER

Switch	Mounting	Temperature range	LED (onyl for 3F)	Right angle support
<input type="checkbox"/>	<input type="checkbox"/>	H 9	<input type="checkbox"/>	<input type="checkbox"/>
3C	T through-hole	H9 high temp.	00 blue	RAS optional
3E	S surface mount		20 green	3FTH9RAS with LED can be used with the 3 series
3F			40 yellow	keycaps: 1D, 1E, 1F, 1K, 1N, 1Q, 1R, 1S, 1T, 1U, 1V, 1WA, 1WD, 1WP, 1X. Ask further information on caps from MEC.
			60 white	
			80 red	
			2040 green/yellow	
			8020 red/green	
			8040 red/yellow	