

1 2 3 4 5 6

A

B

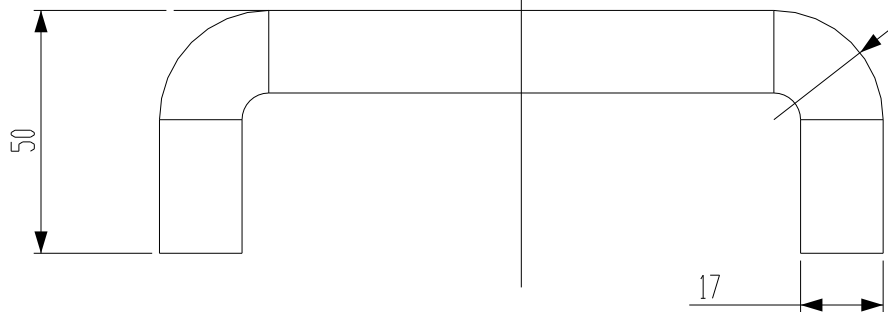
C

D

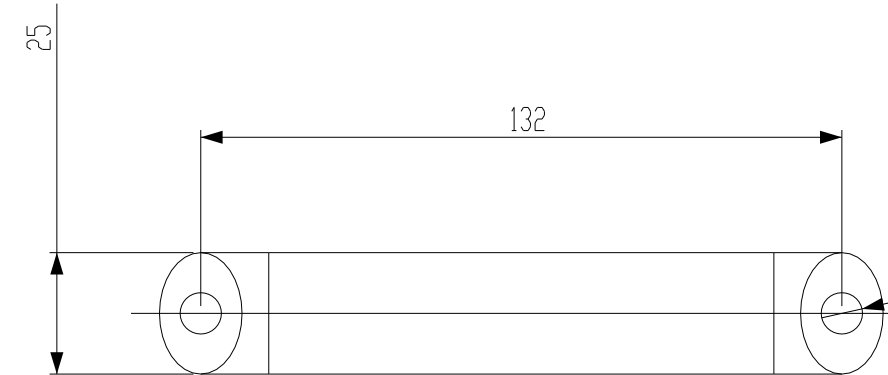
A

B

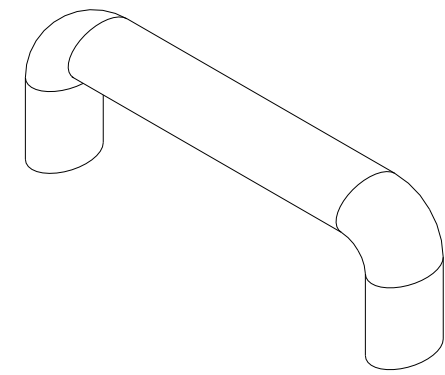
C



R22.50



8.50  
TO TAKE M6  
BRASS INSERT



UNLESS OTHERWISE SPECIFIED:  
DIMENSIONS ARE IN MILLIMETERS  
TOLERANCES: 0.00 0.1  
0.0 0.2  
0 0.5  
ANGULAR: 0.25

DATE  
16/9/07

DEBUR AND BREAK  
SHARP EDGES

TITLE:  
PULL PLASTIC CONCEALED FIXING

FINISH: FINE TEXTURED  
BLACK

MATERIAL:  
15% GLASS FILLED  
NYLON

DWG NO.  
456529

A4