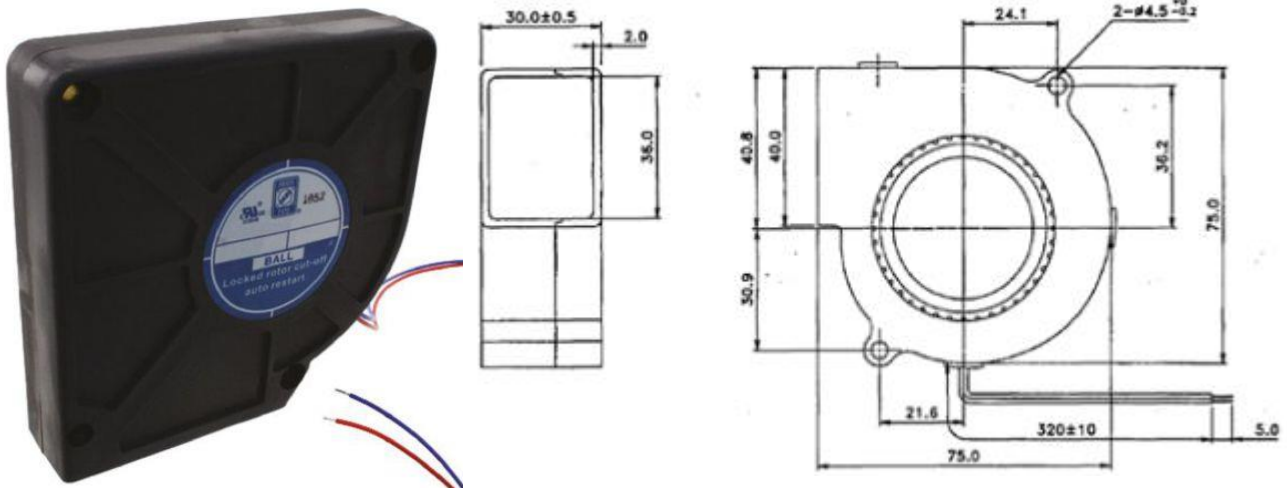


Datasheet

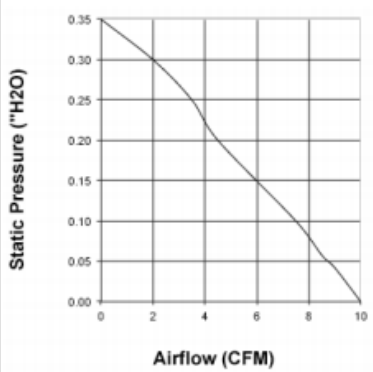
Blower 75 x 75 x 30mm, 16.99m/h, 24 V dc

RS Stock number 787-4013

Dimensions: (mm)



Specifications

Frame	PBT, UL94V-0	Notes	
Impeller	PBT, UL94V-0	Date: 050812	
Connection	Lead wires*	<u>Available Options</u>	
Motor	Brushless DC, IC protected	Tachometer	
Bearing System	Dual ball bearing	Alarm	
Insulation Resistance	10M ohm between lead wire and frame (500VDC)	Thermal Control	
Dielectric Strength	60 second at 500VAC, max. leakage < 500 MicroAmp	* Connections UL1007, AWG24, ~320mm Red (+) Black (-)	
Temperature Range	-10C ~ +70C		
Life Expectancy	50000 hours (25C L10)		

Model Number	ODB7530-12HB	ODB7530-24HB
Part Number	103141001	103241001
Nominal Voltage	12 VDC	24 VDC
Voltage Range	10.8 ~ 13.2 VDC	21.6 ~ 26.4 VDC
Rated Current	0.24 A (+10% max)	0.16 A (+10% max)
Input Power	2.88 W	3.84 W
Rated Speed (RPM)	3000	3000
Airflow (CFM)	10	10
Noise Level (dB)	38	38
Max. Static Pressure (\" H ₂ O)	0.35	0.35