



Patent Pending

DuroSite® Series LED High Bay - UL
for Indoor and Outdoor Industrial Applications



DuroSite® LED High Bay



Features & Benefits

- L70 rated for >100,000 hours @ 25°C ambient
- 5 year full performance warranty standard
- 10 year full performance warranty available (17,500lm models only)
- Up to 101lm/W
- Significant energy savings
- Instant on/off
- Maintenance free
- Mercury free
- No UV or IR
- Produces minimal heat compared to traditional fixtures
- Reflector based optics for precise light control
- Resistant to shock and vibration
- Temperature compensation technology for long life
- Copper free aluminum
- Typical payback < 2 years



Rockline Industries
Manufacturing Facility



MMD Shipping
Cold Storage Facility



MedSafe
Warehouse Facility

Typical Applications

- Food and Beverage
- Heavy Industrial
- Manufacturing
- Pulp and Paper
- Fuel Pump Canopy
- Cold Storage
- Warehouse

View the full case studies at:

G.S. Dunn Limited - www.dialight.com/news/details/gsdunn_case_study

Rockline Industries - www.dialight.com/news/details/rockline_case_study

MedSafe - www.dialight.com/news/details/medsafe_case_study

Kuehne + Nagel - www.dialight.com/news/details/kuehne_nagel_case_study

MMD Shipping - www.dialight.com/news/details/mmd_shipping

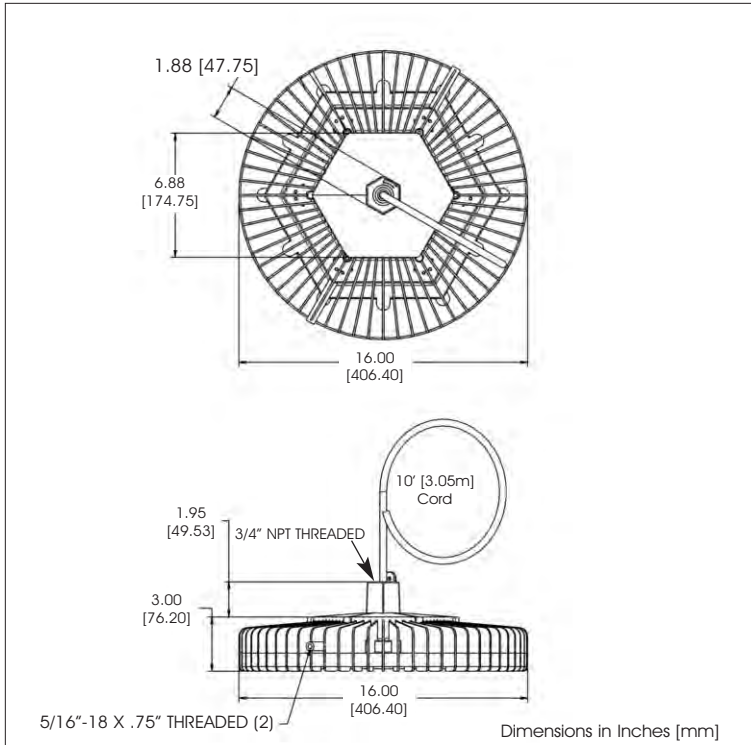
Complete your own Return on Investment calculation at: www.dialight.com/tcoCalculator/Durosite_HighBay



Significantly smaller than traditional High Bay fixtures



DuroSite® LED High Bay Fixture



Certifications & Ratings

- UL-1598 (acrylic lens models)
- UL-1598A (polycarbonate lens and tempered glass)
- CSA 22 #250
- ABS Design Assessed: # 12-HS950618-PDA
- FCC Title 47
- NEMA 4X
- IP 66
- Dark Sky Compliant

Application:

Dialight's DuroSite® LED High Bay fixture was designed specifically to replace conventional lighting in a wide variety of industrial applications; both indoor and outdoor. Its low profile light weight design and versatile mounting options make it ideal for many applications such as warehouse, garage, aisle, cold storage, bridge, tunnel and general area lighting.

All of Dialight's long life LED luminaires are designed to meet the most demanding specification criteria while offering maximum energy savings, reduced maintenance costs, and a superior quality of light.

Mechanical Information

Fixture Weight:	17 lbs (7.7 kg)
Shipping Weight:	23 lbs (10.43 kg)
Mounting:	(1) 3/4" NPT (2) 5/16"-18 x .75" UNC
Cabling:	10' (3.5m) SOOW Power Cord

Electrical specifications

Operating Voltage:	100 – 277V AC or 347 – 480V AC
Total System Power Consumption:	See table
Operating Temp:	-40°F to +149°F (-40°C to +65°C)
Harmonics:	IEC 61000-3-2
Transient Protection:	6kV line to ground 6kV line to line

Power Factor:	> 0.9
Fusing:	Internal on black wire

Construction

Housing:	Powder coated aluminum
Finish:	Polyester / epoxy powder coat gray RAL 7040 for superior corrosion resistance 10 year warranty models - Polyester

Lens:	Acrylic - UL1598 dry location Polycarbonate - UL1598A wet location Polycarbonate dome lens Tempered glass
-------	--

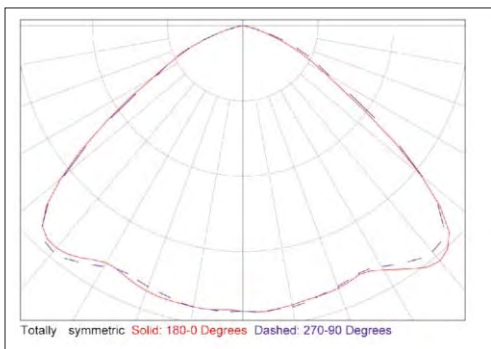
Photometric Information

CRI:	70
CCT:	5,650K (cool white) 4,300K (neutral white)

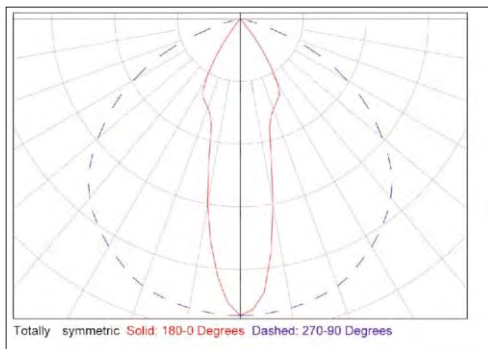
All values typical unless otherwise stated
Lumens values are typical (tolerance +/- 10%)

Candela Plots

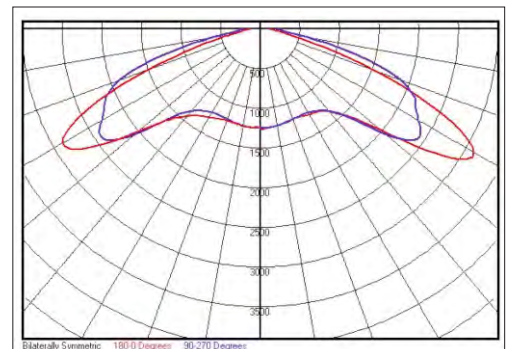
Circular Pattern



Aisle Pattern



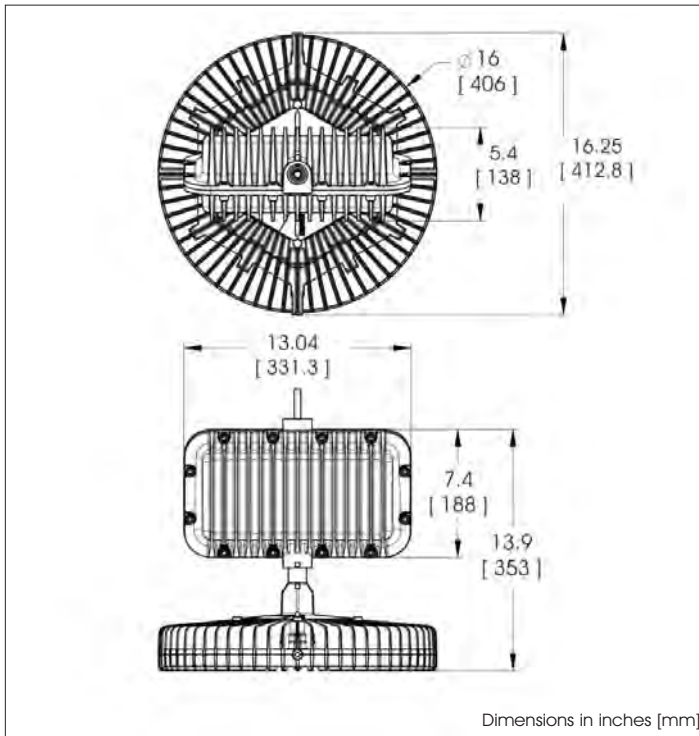
Wide Pattern



Examples shown are 11,500 lumen models, HB2C4M - circular, HB6C4M - aisle, and HBWC4L - wide



DuroSite® LED High Bay - UL 25,000 Lumen Version



Certifications & Ratings:

- UL 1598/A
- CSA 22 #250
- FCC Title 47
- NEMA 4X (Pending)
- IP 66
- Dark Sky Compliant

Features & Benefits

- L70 rated for >100,000 hours @ 25°C
- 10 year full performance warranty
- 100lm/W
- Instant on/off
- Mercury free
- No UV or IR
- Produces minimal heat compared to traditional fixtures
- Resistant to shock and vibration
- Temperature compensation technology for long life

Application:

Dialight's DuroSite® LED High Bay fixture was designed specifically to replace conventional lighting in a wide variety of industrial applications; both indoor and outdoor. Its low profile light weight design and versatile mounting options make it ideal for many applications such as warehouse, garage, aisle, cold storage, bridge, tunnel and general area lighting.

All of Dialight's long life LED luminaires are designed to meet the most demanding specification criteria while offering maximum energy savings, reduced maintenance costs, and a superior quality of light.

Mechanical Information

Fixture Weight:	30 lbs (13.6 kg)
Shipping Weight:	35 lbs (15.88 kg)
Mounting:	(1) 3/4" NPT
Cabling:	10' (3.5m) SOOW Power Cord

Electrical specifications

Operating Voltage:	100 – 277V AC
Total System Power Consumption:	See table on page 6
Operating Temp:	-40°F to +149°F (-40°C to +65°C)
Harmonics:	IEC 61000-3-2
Transient Protection:	6kV line to ground 6kV line to line
Power Factor:	> 0.9
Fusing:	Internal on black wire

Construction

Housing:	Powder coated aluminum
Finish:	Polyester powder coat gray RAL 7040 for superior corrosion resistance
Lens:	Tempered glass

Photometric Information

CRI:	70
CCT:	5,000K (cool white) 4,000K (neutral white)

All values typical unless otherwise stated

Occupancy Sensor High Bays

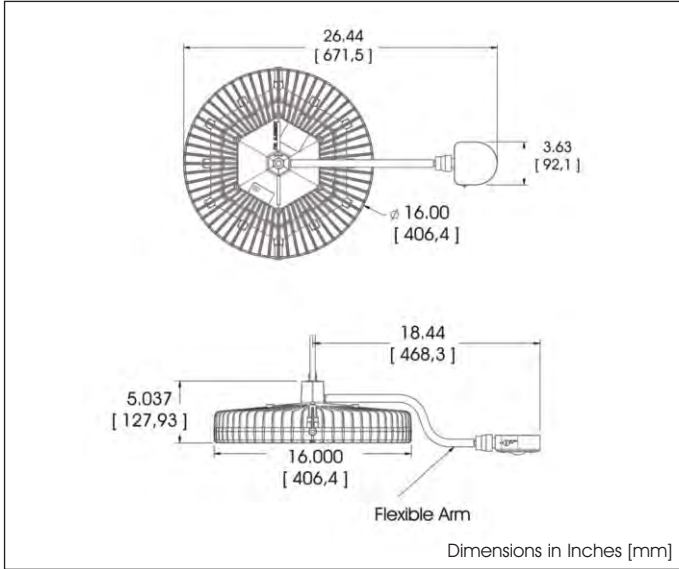


Mechanical, Electrical and Photometric information is the same as on page 3 except where detail is provided

Fixture Weight:	19lbs (11.34kg)
Container Weight:	25lbs (8.62kg)
Sensor Mounting:	Attached to the base of the neck using a semi-rigid flexible conduit
Occupancy Sensor:	Dry location Leviton OSFHU - CTW (120 - 347V AC) or C4W (480V AC) Wet location Wattstopper HB350W (120 - 277V AC) or HB340W (347-480V AC)
Sensor Timing:	30 seconds to 20 minutes
Sensor Lens Options:	Comes complete with interchangeable lenses for multiple mounting heights
Operating Temperature:	-40°F to +149°F (-40°C to +65°C)

Features and Benefits

- No additional electrical connections required for installation
- Flexible conduit permitting the positioning of the occupancy sensor for optimal coverage
- Interchangeable sensor lens for high bay, low bay, or aisle applications



Variable Dimming (0-10 VDC) & STEP Dimming High Bays



Mechanical, Electrical and Photometric information is the same as on page 3 except where detail is provided

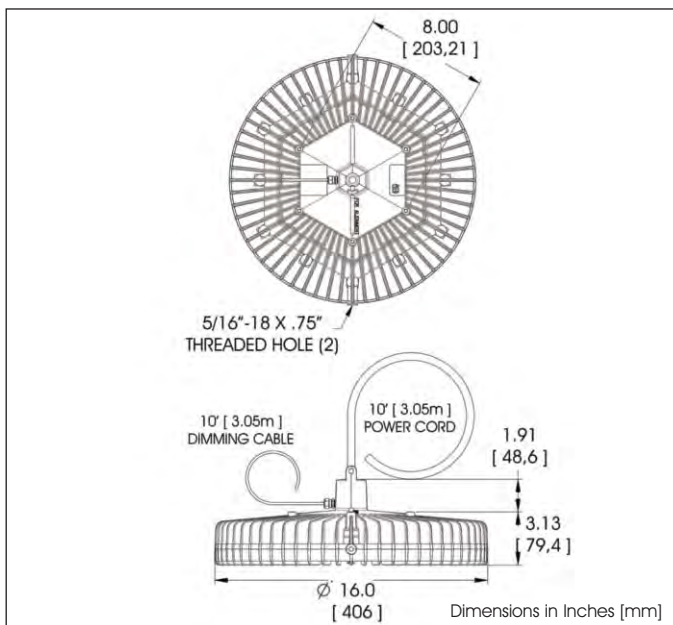
Variable Dimming Cable:	Two conductor cable
Power Cable:	Three conductor cable
Dimming Cable Position:	Side of the neck through a cable gland
Variable Dimming Control:	0-10 V DC active
Dimming Range:	10 V DC = 100% light output 0 V DC = 15% light output

Features and Benefits

- 10' plenum rated dimming control cable pre-installed
- Dimming cabling independent of fixture wiring
- Multiple High Bays can be connected to the same dimmer
- May also be configured to operate in a single STEP Dimming configuration

STEP Dimming Mode

The variable dimming High Bays may also be configured to operate in a single STEP Dimming configuration. When the dimming control conductors are connected together, the light output will be reduced to approximately 15% of the maximum light output. The total fixture power consumption will also be reduced to approximately 20% (30 W). Connecting the leads together can be accomplished with a common wall switch.



Ordering Information

Part Number ^{1,2,3}	Initial Fixture Lumens	Wattage	Lumens Per Watt	UL-1598A, IP-66, NEMA - 4X CSA 22.2 #250 Marine Wet Locations	Lens		Optical Pattern	
					Clear	Diffused	Circular	Aisle
10 Year Warranty - Standard Models								
HLGC4KN-10YR	25,000	250	100	•	Tempered Glass		•	
HBGCMP-10YR	17,500	172	101	•	Tempered Glass		•	
10 Year Warranty - Occupancy Sensor Models								
HLGC1KS-10YR	25,000	250	100	•	Tempered Glass		•	
HBGCQZ-10YR	17,500	172	101	•	Tempered Glass		•	
10 Year Warranty - Variable Dimming Models								
HLGC4KD-10YR	25,000	250	100	•	Tempered Glass		•	
HBGCMZ-10YR	17,500	172	101	•	Tempered Glass		•	
10 Year Warranty - Step Dimming Models								
HLGC1KH-10YR	25,000	250	100	•	Tempered Glass		•	
5 Year Warranty								
HBGCMP	17,500	172	101	•	Tempered Glass		•	
HBGC4P	14,500	161	90	•	Tempered Glass		•	
HBEC4P	13,500	161	85	•	Tempered Glass			•
HB2C4P	12,000	161	75	•	Polycarbonate		•	
HB6C4M	11,750	146	80	•	Tempered Glass			•
HB7C4M	11,750	146	80	•	Tempered Glass			•
HB0C4P	11,500	161	71	•		Polycarbonate	•	
HB1C4N	11,500	146	79		Acrylic		•	
HB1C4J	11,000	146	76		Acrylic		•	
HB2C4M	10,750	146	73	•	Polycarbonate		•	
HB5C4M	10,750	146	74			Acrylic	•	
HB2C4K	10,500	146	73	•	Polycarbonate		•	
HB5C4J	10,500	137	77			Acrylic	•	
HB3C4L	9,000	124	72			Acrylic	•	
HBWC4L	8,750	135	65	•		Polycarbonate	Wide	
HB4C4L	8,500	124	69	•		Polycarbonate	•	
5 Year Warranty - Occupancy Sensor Models								
HBGCQZ	17,500	172	101	•	Tempered Glass		•	
HBGC1T	14,500	161	90	•	Tempered Glass		•	
HB6C4T	11,750	146	80		Tempered Glass			•
HB7C1T	11,750	146	80	•	Tempered Glass			•
HB1C4T	11,500	146	79		Acrylic		•	
HB1C4S	11,000	146	76		Acrylic		•	
HB5C4T	10,750	146	74			Acrylic	•	
HB5C4S	10,500	137	77			Acrylic	•	
HB2C4T	10,500	146	73	•	Polycarbonate		•	
HB3C4R	9,000	124	72			Acrylic	•	
5 Year Warranty - Variable Dimming Models								
HBGCMZ	17,500	172	101	•	Tempered Glass		•	
HBGC4Z	14,500	161	90	•	Tempered Glass		•	
HB7C4Y	11,750	146	80	•	Tempered Glass			•
HB1C4Y	11,500	146	79		Acrylic		•	
HB6C4Y	11,750	146	78		Acrylic			•
HB5C4Y	10,750	146	74			Acrylic	•	
HB2C4Y	10,250	146	70	•	Polycarbonate		•	
HB2C4X	10,000	137	73	•	Polycarbonate		•	
HB3C4W	9,000	124	72			Acrylic	•	
HB4C4W	8,500	124	69	•		Polycarbonate	•	
5 Year Warranty - STEP Dimming / Occupancy Sensor Models								
HBGCQQ	17,500	172	101	•	Tempered Glass		•	
HBGC1Q	14,500	161	90	•	Tempered Glass		•	
HB1C4H	11,500	146	79		Acrylic		•	

Notes for all versions:

- ¹ Part numbers listed in the above table are cool white. For 8,500lm - 17,500lm neutral white version replace the 4th character with N Ex: HB1C4N become HB1N4N.
- ² Units meet IP 66 when installed using conduit or an IP66 approved cable gland at the 3/4 NPT. Dialight offers IP-66 approved cable glands as part of accessories HBXW2 and HBXC6.
- ³ Part numbers with occupancy sensor that will be installed with Hook or Loop (HBXH or HBXL) accessories will require a counter balance installed prior to shipment. Add - **CB** to the end of the part number. Example HBGCQZ will become HBGCQZ-**CB**. Please consult with customer service when ordering.

Notes for standard versions only:

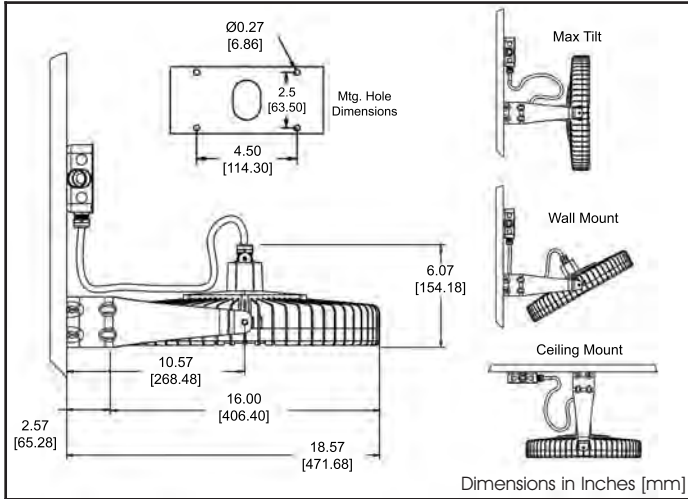
- ⁴ Part numbers listed in the table above are 100-277V AC. For 347-480V AC version replace the 5th character with a 5. Ex: HB1C4N (100-277VAC) becomes HB1C5N (347-480V AC). For 17,500lm, 347-480V AC versions, replace the 5th character with a T. Ex: HBGCMP (100- 277V AC) becomes HBGC1P (347-480V AC).
- ⁵ Part numbers listed in the tables above come with a flat lens. For models with polycarbonate flat lens they can be ordered with a polycarbonate dome lens; replace 3rd character with a L Ex: HB2C4M becomes HBLC4M .

Options and Accessories

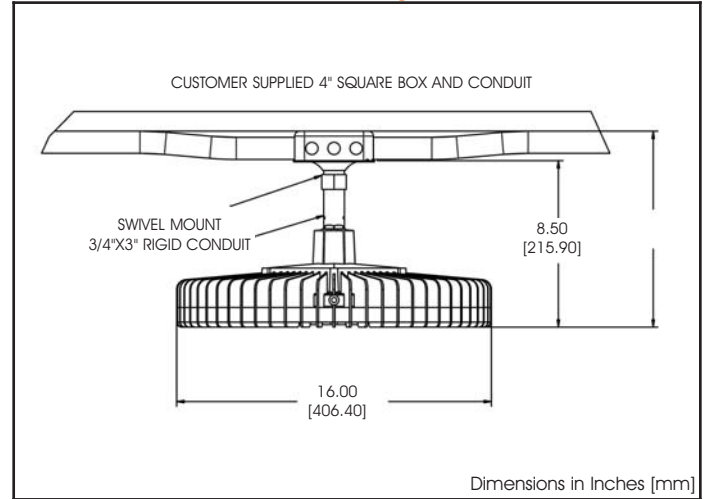
	Part Number	Description	Kit Includes	Compatibility	
				8,500 - 17,500lm	25,000lm
	No Part Number	Pendant Mount (Conduit supplied by installer)	Conduit supplied by installer	•	•
	HBXW2	Swivel Bracket and Cable Gland	Swivel Bracket Bracket to fixture hardware Cable Gland (1/2") Reducer (3/4" to 1/2")	•	
	HBXW3	Swivel Bracket	Swivel Bracket Bracket to Fixture Hardware	•	
	HLXW2	Swivel Bracket and Cable Gland	Swivel Bracket Bracket to fixture hardware Cable Gland (1/2") Reducer (3/4" to 1/2")		•
	HLXW3	Swivel Bracket	Swivel Bracket Bracket to Fixture Hardware		•
	HBXDUALBRKT	Dual bracket	Junction Box	•	
	HBXCU	Ceiling Mount	Swivel Hanger Cover 3" Conduit Nipple	•	•
	HBXCG	Cable Gland	Cable Gland (1/2") Reducer (3/4" to 1/2")	•	•
	HBXL	Loop	Hanger Loop (GE LOOPM353) See note 4 on page 5 when ordering with Occupancy Sensor Models	•	•
	HBXH	Hook	Hanger Hook (GE HOOKM353) See note 4 on page 5 when ordering with Occupancy Sensor Models	•	•
	HBXT2	Junction Box with Transformer 347-480VAC to 240VAC, 150VA (12,000 lm models and lower)	NEMA Box with Integrated Transformer	•	
	HBXT4	Junction Box with Transformer 347-480VAC to 240VAC, 300VA (14,000 lm models and higher)	NEMA Box with Integrated Transformer		•
	HBXLENGC	Tempered Glass	Lens, replacement clips, screws, gasket	•	•
	HBXLENAC	Acrylic Lens, Clear	Lens, replacement screws, gasket	•	
	HBXLENAD	Acrylic Lens, Diffused		•	
	HBXLENPC	Polycarbonate Lens, Clear	Lens, replacement screws, gasket	•	
	HBXLENDP	Polycarbonate Lens, Diffused		•	
	HBXREF22	22" Acrylic Reflector (Must be ordered with High Bay, not a retrofit option)	Reflector, brackets, screws	•	
	HBXDC	Dust Cover	Dust cover, clamp, spacer	•	

Options and Accessories

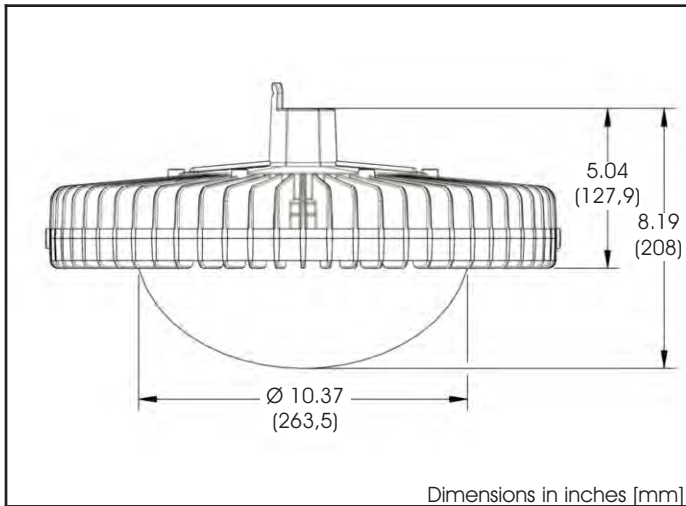
HBXW2 - Swivel Bracket and Cable Gland



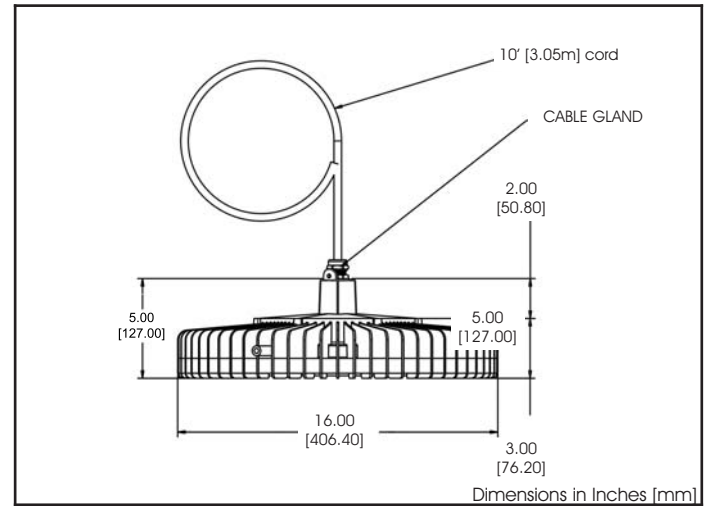
HBXCU - Ceiling Mount



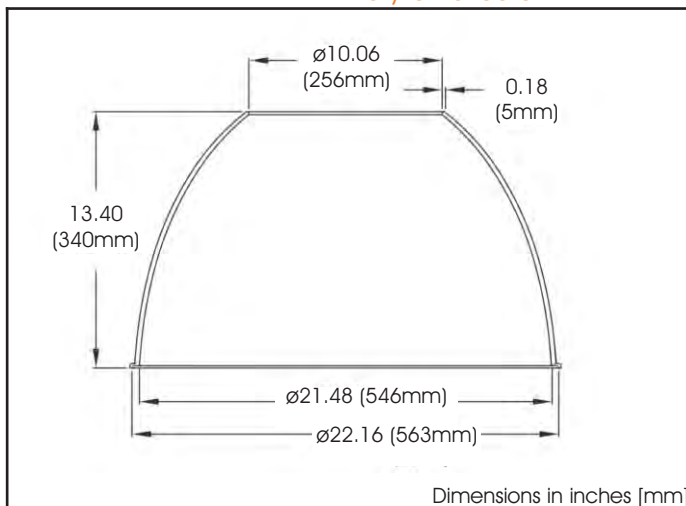
LBXLENP - Dome Lens



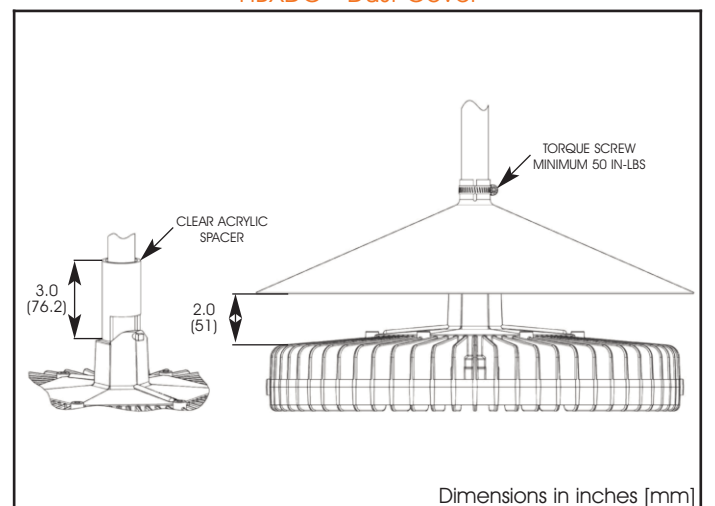
HBXCG - Cable Gland



HBXREF22 - 22" Acrylic Reflector



HBXDC - Dust Cover



Dialight reserves the right to make changes at any time in order to supply the best product possible. The most current version of this document will always be available at: www.dialight.com/Assets/Brochures_And_Catalogs/Illumination/MDEXHBX001.pdf

Warranty Statement: EXCEPT FOR THE WARRANTY EXPRESSLY PROVIDED FOR [HEREIN/ABOVE/BELOW], DIALIGHT DISCLAIMS ANY AND ALL OTHER WARRANTIES, EXPRESS OR IMPLIED, INCLUDING, WITHOUT LIMITATION, ANY WARRANTIES OF MERCHANTABILITY, FITNESS FOR A PARTICULAR PURPOSE, TITLE, AND NON-INFRINGEMENT.