



Figure similar

Selector switch, 16 mm, round, plastic, green, 2 switch positions O-I, latching, actuating angle 62 degree

|   |                             |
|---|-----------------------------|
| <b>product brand name</b>                                     | SIRIUS                      |
| <b>product designation</b>                                    | Selector switches           |
| <b>design of the product</b>                                  | Single device round         |
| <b>product type designation</b>                               | 3SB2                        |
| <b>Enclosure</b>  |                             |
| <b>number of command points</b>                               | 1                           |
| <b>Actuator</b>   |                             |
| <b>design of the actuating element</b>                        | selector switch             |
| <b>principle of operation of the actuating element</b>        | latching                    |
| <b>product extension optional light source</b>                | No                          |
| <b>color of the actuating element</b>                         | green                       |
| <b>material of the actuating element</b>                      | plastic                     |
| <b>outer diameter of the actuating element</b>                | 19 mm                       |
| <b>type of unlocking device</b>                               | rotate-to-unlatch mechanism |
| <b>number of switching positions</b>                          | 2                           |
| <b>actuating angle</b>  |                             |
| • clockwise   | 62°                         |
| <b>Front ring</b>   |                             |
| <b>product component front ring</b>                           | Yes                         |
| <b>design of the front ring</b>                               | Standard                    |
| <b>material of the front ring</b>                             | plastic                     |
| <b>color of the front ring</b>                                | black                       |
| <b>Holder</b>   |                             |
| <b>material of the holder</b>                                 | Plastic                     |
| <b>General technical data</b>                                 |                             |
| <b>product function</b>                                       |                             |
| • EMERGENCY OFF function                                      | No                          |
| • EMERGENCY STOP function                                     | No                          |
| <b>protection class IP</b>                                    | IP65                        |
| <b>vibration resistance according to IEC 60068-2-6</b>        | 20 ... 200 Hz: 5g           |
| <b>operating frequency maximum</b>                            | 1 000 1/h                   |
| <b>mechanical service life (operating cycles) typical</b>     | 300 000                     |
| <b>reference code according to IEC 81346-2</b>                | S                           |
| <b>Substance Prohibitance (Date)</b>                          | 07/01/2006                  |
| <b>Net Weight</b>   | 0.008 kg                    |
| <b>Connections/ Terminals</b>                                 |                             |
| <b>tightening torque of the screws in the bracket maximum</b> | 0.4 N·m                     |
| <b>Ambient conditions</b>                                     |                             |

|  |                |
|--|----------------|
| <b>ambient temperature</b>                                     |                |
| • during operation   | -25 ... +70 °C |
| • during storage   | -40 ... +80 °C |
| environmental category during operation according to IEC 60721 | 3K6            |

| Installation/ mounting/ dimensions |                      |
|------------------------------------|----------------------|
| fastening method                   | front plate mounting |
| shape of the installation opening  | round                |
| mounting diameter                  | 16 mm                |
| mounting height                    | 17 mm                |
| installation width                 | 19 mm                |
| installation depth                 | 50 mm                |

#### Approvals Certificates

| Environment | General Product Approval | Test Certificates |
|-------------|--------------------------|-------------------|
|-------------|--------------------------|-------------------|

[Environmental Conformations](#)



[Type Test Certificates/Test Report](#)

| Test Certificates | other |
|-------------------|-------|
|-------------------|-------|

[Miscellaneous](#)

[Special Test Certificate](#)



[Confirmation](#)

#### Further information

**Information on the packaging**

<https://support.industry.siemens.com/cs/ww/en/view/109813875>

**Information for data generation and storage**

<https://support.industry.siemens.com/cs/ww/en/view/109995012>

**Information- and Downloadcenter (Catalogs, Brochures,...)**

<https://www.siemens.com/ic10>

**Industry Mall (Online ordering system)**

<https://mall.industry.siemens.com/mall/en/en/Catalog/product?mlfb=3SB2000-2AE01>

**Cax online generator**

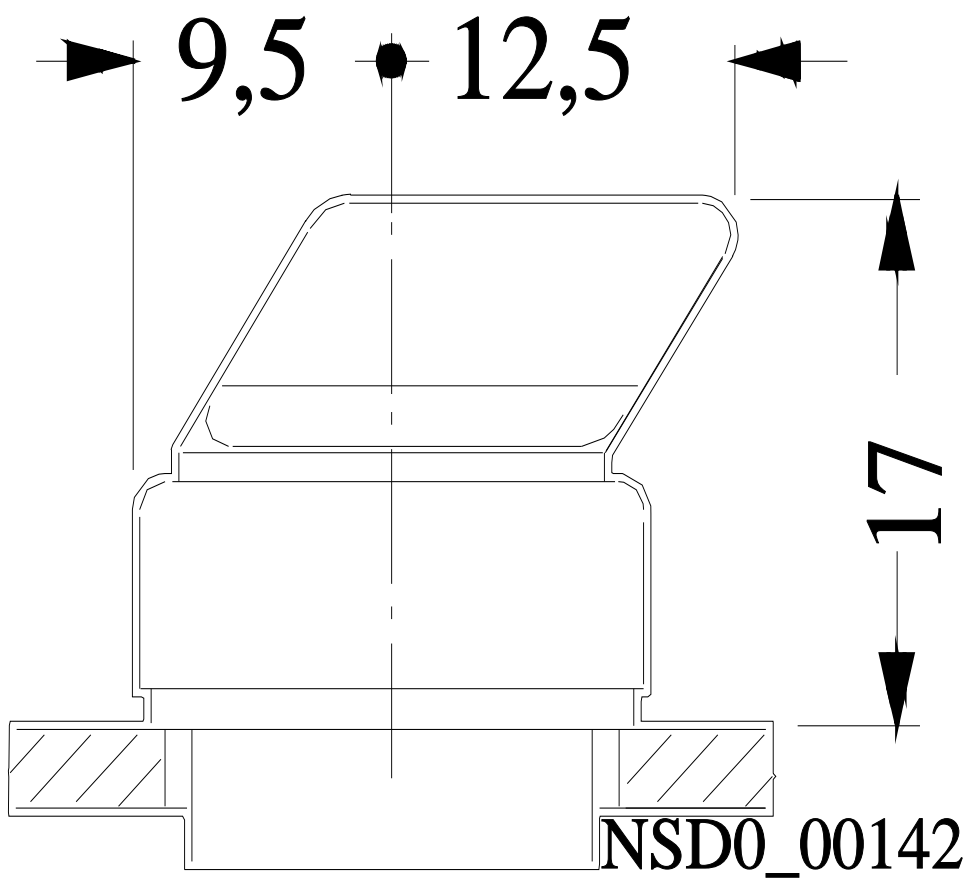
<https://support.automation.siemens.com/WW/CAXorder/default.aspx?lang=en&mlfb=3SB2000-2AE01>

**Service&Support (Manuals, Certificates, Characteristics, FAQs,...)**

<https://support.industry.siemens.com/cs/ww/en/ps/3SB2000-2AE01>

**Image database (product images, 2D dimension drawings, 3D models, device circuit diagrams, EPLAN macros, ...)**

[https://www.automation.siemens.com/bilddb/cax\\_de.aspx?mlfb=3SB2000-2AE01&lang=en](https://www.automation.siemens.com/bilddb/cax_de.aspx?mlfb=3SB2000-2AE01&lang=en)



last modified:

12/13/2025 