

EtherNet/IP Absolute Encoders

Catalog Numbers 842E-SIP*BA, 842E-MIP*BA

IMPORTANT Save these instructions for future use.

The 842E is an ultra-high resolution encoder with EtherNet/IP interface. These encoders provide 18-bit single-turn resolution and 30-bit multi-turn resolution. The EtherNet/IP encoder is targeted for high performance and reliability in harsh industrial environments. Encoder includes an embedded EtherNet/IP switch to connect additional E/IP capable product in series and/or support a Device Level Ring (DLR) for ethernet media redundancy.

Features

- EtherNet/IP
- Embedded switch
- Hardware/software IP address setting
- Resolution up to 30 bits
- Protection class up to IP67
- Simple and fast set up
- Device Level Ring (DLR)
- Revolution divisor
- Solid and blind hollow shaft options

Configurable Parameters

- Counting direction
- Counts per resolution
- Counts of revolution
- Preset value
- Velocity unit
- IP address

Typical Applications

- Packing machines
- Robotics
- Printing machines
- Rotary table positioning

ENGLISH:	This instruction sheet is available in multiple languages at www.rockwellautomation.com/literature . Select the publication language before typing in the search field.
简体中文:	本说明有多种语言版本, 参见 www.rockwellautomation.com/literature 。请先选择出版物的语言, 然后在搜索字段中输入内容。
繁體中文:	您可以在 www.rockwellautomation.com/literature 網站中, 找到本說明書的多種語言版本。在搜尋欄位輸入任何字串前, 請先選擇出版語言。
FRANÇAIS:	Cette fiche d'information est disponible en plusieurs langues sur le site www.rockwellautomation.com/literature . Sélectionnez la langue de la publication avant d'effectuer votre saisie dans le champ de recherche.
DEUTSCH:	Diese Anleitung steht unter www.rockwellautomation.com/literature in verschiedenen Sprachen zur Verfügung. Wählen Sie vor der Eingabe in das Suchfeld die Publikationssprache aus.
ITALIANO:	Le presenti istruzioni sono disponibili in più lingue all'indirizzo www.rockwellautomation.com/literature . Selezionare la lingua della pubblicazione prima di inserire il titolo nel campo di ricerca.
英語:	このインストラクションは、 www.rockwellautomation.com/literature から多くの言語で利用できます。検索フィールドに入力する前に資料の言語を選択してください。
한국어:	본 매뉴얼은 www.rockwellautomation.com/literature 에서 다양한 언어로 제공됩니다. 검색 필드에 입력하기 전에 Publication 언어를 선택하십시오.
PORTUGUÊS:	Essa folha de instrução está disponível em vários idiomas no endereço www.rockwellautomation.com/literature . Selecione o idioma da publicação antes de digitar no campo de busca.
ESPAÑOL:	Esta hoja de instrucciones está disponible en varios idiomas en www.rockwellautomation.com/literature . Seleccione el idioma de la publicación antes de escribir en el campo de búsqueda.

Specifications

Attribute	Value
Certifications	CE Marked for all applicable directives
Electrical	
Bus Connection	EtherNet/IP IEC 61784-1
Transmission Rate	10/100 MBit/s
Transmission Medium	Cat-5e cable
Code Type	Binary
Operating Voltage Range	10...30V
Power Consumption	3.0 W
Resolution	262,144 (18 bit)
No. of Revolutions, max.	4,096 (12 bit)
Error Limits	±0.03°
Repeatability	±0.002°
Operating Current, max., no load; 10...30V supply	≤200 mA
Mechanical	
Moment of Inertia	≤6.2 gcm ² (solid shaft) of the rotor ≤35 gcm ² (blind hollow shaft) of the rotor
Operating Speed	9,000 RPM (solid shaft), max. 6,000 RPM (blind hollow shaft), max.
Shaft Loading	Radial: 80 N max. (solid shaft) Axial: 40 N max. (solid shaft)
Permissible Shaft Movement	Radial (static/dynamic): ±0.3 / ±0.05 mm [of drive element (blind hollow shaft)] Axial (static/dynamic): ±0.5 / ±0.1 mm [of drive element (blind hollow shaft)]
Bearing Lifetime	3 x 10 ⁹ revolutions
Angular Acceleration	5 x 10 ⁵ rad/s ² , max.
Operating Torque	0.3 Ncm (solid shaft) @ 20 °C (68°F) 0.6 Ncm (blind hollow shaft) @ 20 °C (68°F)
Starting Torque	0.5 Ncm (solid shaft) at 20°C (68°F) 0.8 Ncm (blind hollow shaft) at 20°C (68°F)
Environmental	
Housing Material	Aluminum
Shaft Material	Stainless steel
Operating Temperature	-30...+85°C (-22...+185°F)
Storage Temperature ¹	-40...+100°C (-40...+212°F)
Relative Humidity ²	90%
Shock ³	100 g/6 ms
Vibration ⁴	20 g/10...2000 Hz
Enclosure rating shaft	IP65
Enclosure Rating Housing ⁵	IP67 (IEC 60529)
Weight	0.2 kg (0.44 lb)
Standards	EN 61000-6-2 and EN 61000-6-3 EMC

¹ Without packaging.
² To condensation not permitted.
³ To DIN EN 60068-2-27.
⁴ To DIN EN 60068-2-6.

⁵ With mating connector inserted.

Product Selection

842E	—	$\frac{S}{a}$	$\frac{IP}{b}$	$\frac{10}{c}$	$\frac{B}{d}$	$\frac{A}{d}$
a						
Number of Turns						
Code	Description					
S	Single-turn (1 turn)					
M	Multi-turn (4096 turns)					
b						
Mechanical Interface						
Code	Description					
1	Solid shaft 3/8 in.					
2	Solid shaft 3/8 in. with flat					
3	Solid shaft 10 mm					
4	Solid shaft 10 mm with flat					
5	Hollow shaft 1/4 in.					
6	Hollow shaft 8 mm					
7	Hollow shaft 3/8 in.					
8	Hollow shaft 10 mm					
9	Hollow shaft 12 mm					
10	Hollow shaft 1/2 in.					
11	Hollow shaft 14 mm					
12	Hollow shaft 15 mm					
c						
Connector						
Code	Description					
B	M12 connector					
d						
Resolution						
Code	Description					
A	262,144 (18 bit) steps per revolution					

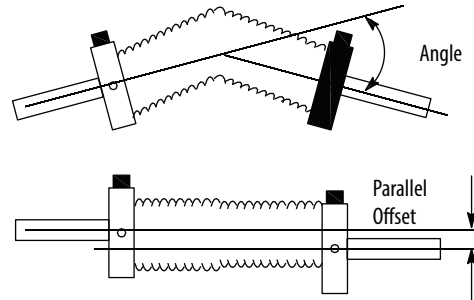
Accessories

Description	Note
Flexible couplings	For information on these products, please visit our website at http://www.rockwellautomation.com/
Mounting plates	
Ethernet media	
Cordsets & patchcords	

Suggested Mating Cables

Description	Cat. No.
4-wire cable spool, robotic TPE, 100 m	1585-C4TB-S100
M12 D-code patchcord, male/male, 1 m	1585D-M4TBJM-2
DC micro QD cordset, 4-pin, 2 m	889D-F4AC-2
DC micro QD patchcord, 4-pin, 2 m	889D-F4ACDM-2

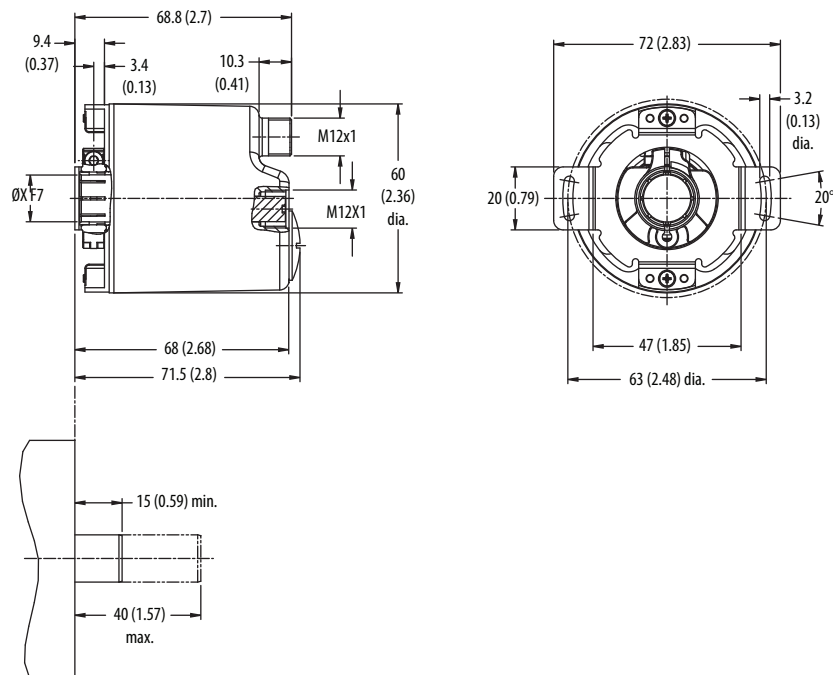
Flexible Shaft Couplings



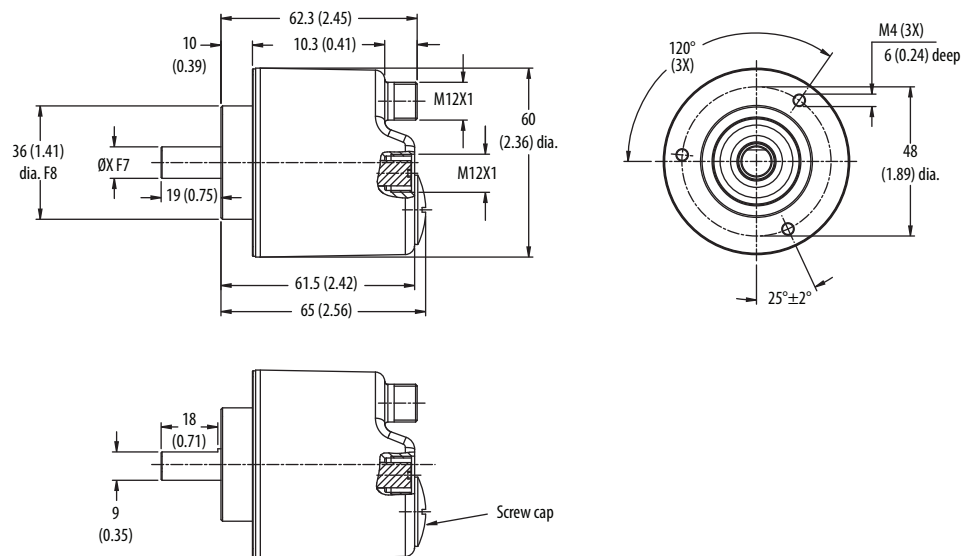
ATTENTION: Rigidly coupling the encoder shaft to the machine shaft will cause a failure in either the bearings of the encoder or the bearings of the machine shaft.

Approximate Dimensions [mm (in.)]

Blind Hollow Shaft



Solid Shaft



Tightening torque for screw cap: 0.8 N•m (7 in•lb)

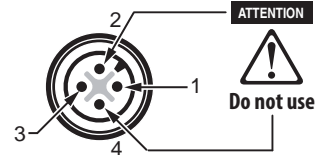
Pinout & Color Code

EtherNet/IP Pinout



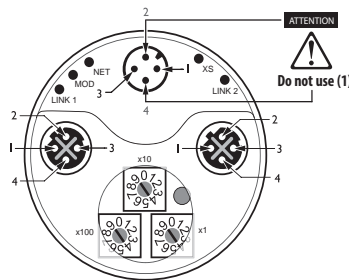
Pin	Signal Name	Color Code	Pair Assignment
1	TXD+	White Orange	Pair 1
3	TXD-	Orange	
2	RXD+	White Green	Pair 2
4	RXD-	Green	

Power Supply Pinout



Pin	Signal Name	Color Code	Pair Assignment
1	Vs	Brown	Supply voltage 10...32V DC
2	—	White	Do not use Ê
3	GND	Blue	0V DC (ground)
4	—	Black	Do not use Ê

LED Status



Module Status LED	Short Description
OFF	No power
Green	Device operational
Green flashing	Standby
Red flashing	Minor fault
Red	Major fault
Green/red flashing	Self-test
Network Status LED	Short Description
OFF	No power/IP address
Green flashing	No connected
Green	Connected
Red flashing	Minor fault
Red	Major fault
Green/red flashing	Self-test

Encoder Status LED	Short Description
OFF	No power
Green flashing	Wrong parameter
Green	Device operational
Red flashing	Minor fault
Red	Major fault
Green/red flashing	Self-test

Link 1 Status LED	Short Description
OFF	No link/power off
Green solid	LINK
Amber solid	Port disabled
Green flashing	Port activity
Amber flashing	Collision

Link 2 Status LED	Short Description
OFF	No link/power off
Green solid	LINK
Amber solid	Port disabled
Green flashing	Port activity
Amber flashing	Collision

Rockwell Automation maintains current product environmental information on its website at <http://www.rockwellautomation.com/rockwellautomation/about-us/sustainability-ethics/product-environmental-compliance.page>.

Allen-Bradley, Rockwell Automation, and Rockwell Software are trademarks of Rockwell Automation, Inc. Trademarks not belonging to Rockwell Automation are property of their respective companies.

Rockwell Otomasyon Ticaret A.Ş., Kar Plaza İş Merkezi E Blok Kat:6 34752 İçerenköy, İstanbul, Tel: +90 (216) 5698400

www.rockwellautomation.com

Power, Control and Information Solutions Headquarters

Americas: Rockwell Automation, 1201 South Second Street, Milwaukee, WI 53204-2496 USA, Tel: (1) 414.382.2000, Fax: (1) 414.382.4444
 Europe/Middle East/Africa: Rockwell Automation NV, Pegasus Park, De Kleetlaan 12a, 1831 Diegem, Belgium, Tel: (32) 2 663 0600, Fax: (32) 2 663 0640
 Asia Pacific: Rockwell Automation, Level 14, Core F, Cyberport 3, 100 Cyberport Road, Hong Kong, Tel: (852) 2887 4788, Fax: (852) 2508 1846

Publication 842E-IN001B-EN-P - September 2016

Supersedes Publication 842E-IN001A-EN-P - June 2013

10000481742 Ver 03

Copyright © 2016 Rockwell Automation, Inc. All rights reserved. Printed in the U.S.A.