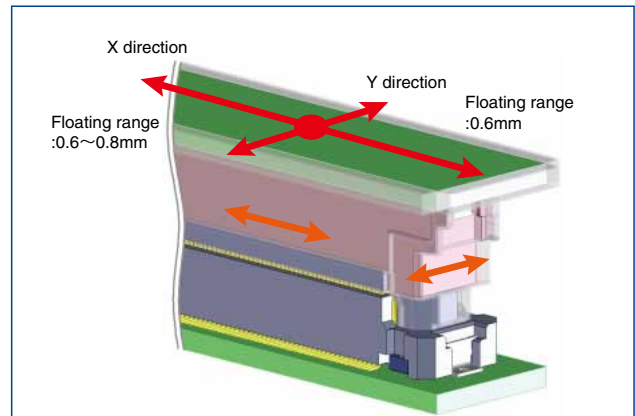
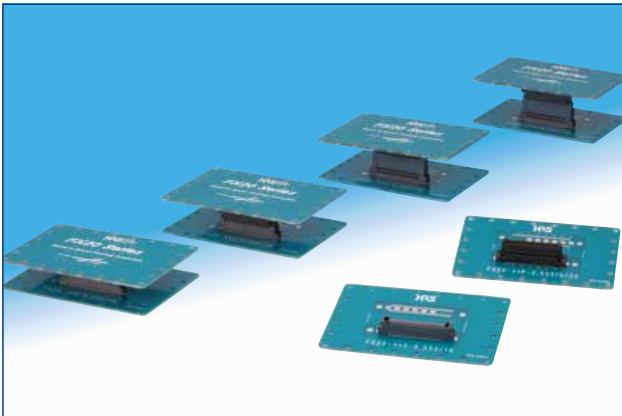


# 0.5 mm Pitch, Board to Board Connector with Floating Structure

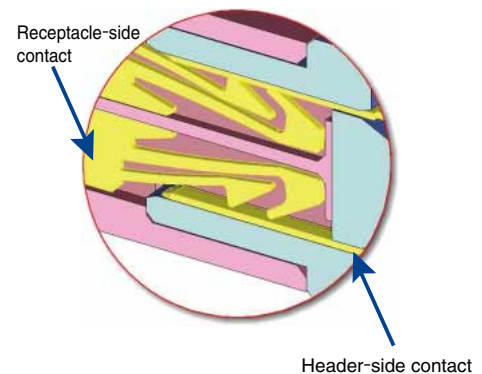
## FX20 Series



### ■ Features

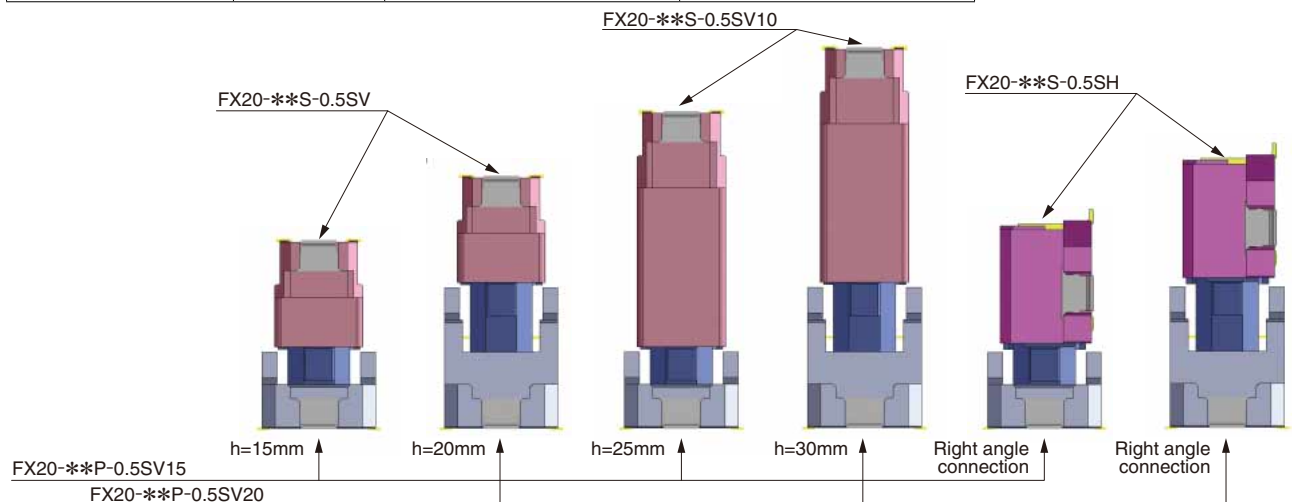
1. 0.5 mm pitch
2. Connection type: Right angle / Vertical
3. Pin counts : 20, 40, 60, 80, 100, 120 and 140
4. Floating range:  $\pm 0.6$  to  $0.8$  mm in the X direction and  $\pm 0.6$  mm in the Y direction
5. A double beam contact structure produces a highly reliable contact (Refer to the figure on the right)
6. Current capacity: 0.5 A per pin
7. Effective mating length of 1.5 mm  
This connector utilizes a 1.5 mm effective mating length for signal contacts and provides a sufficient margin for its mating stroke.
8. No conductive trace surface is not specified
9. Contains the vacuum pick up area needed to allow automatic mounting
10. Self-aligning and self-guiding structure  
Built-in guide posts enable self-alignment and ensure a secure connection

### Enlarged view of the contact area



### ■ Stacking height chart

Receptacle	Header	FX20-**-P-0.5SV15	FX20-**-P-0.5SV20
FX20-**-S-0.5SV		h=15mm	h=20mm
FX20-**-S-0.5SV10		h=25mm	h=30mm
FX20-**-S-0.5SH		Right angle connection	Right angle connection
Floating range	X direction	$\pm 0.6$ mm	$\pm 0.8$ mm
	Y direction	$\pm 0.6$ mm	$\pm 0.6$ mm



## Product Specifications

Ratings	Rated current 0.5A Rated voltage AC 50V	Operating temperature range: -55 - 85°C (Note 1) Storage temperature range: -10 - 60°C (Note 2)
---------	--	--

Item	Standards	Condition
1. Contact resistance	70 mΩ max.	100 mA(DC or 1000Hz)
2. Insulation resistance	100 MΩ min.	100 V DC.
3. Voltage proof	No flashover or breakdown.	150V AC for 1 min.
4. Mechanical operation	Contact resistance : Variation from initial value 20 mΩ or less. No damage, crack and looseness of parts.	50 times insertions and extractions.
5. Vibration	No electrical discontinuity of 1 μs. No damage, crack and looseness of parts.	Frequency: 10 to 55 to 10Hz, approx 5 min Single amplitude : 0.75mm, 10 cycles for 3 axial directions.
6. Shock		490m/s <sup>2</sup> , duration of pulse 11ms at 3 times for 3 both axial directions.
7. Damp heat (Steady state)	Contact resistance : Variation from initial value 20 mΩ or less.	Exposed at 40±2°C, 90~95%, 96h.
8. Rapid change of temperature	Insulation resistance : 100MΩ min. No damage, crack and looseness of parts.	Temperature: -55 → +85°C Time: 30 → 30 min. Under 5 cycles(relocation time to chamber: within 2~3min)

Note 1: Includes temperature rise caused by current flow.

Note 2: The term "storage" here refers to products stored for a long period prior to board mounting and use.

## Materials

Part	Material		Finish	UL standard
Insulator	Header	PA	Black	UL94V-0
	Receptacle	LCP	Black	UL94V-0
Contacts	Header	Copper alloy	Contact area: Gold plated Mounting area: Gold plated	_____
	Receptacle	Phosphor bronze		
Metal Fitting	Brass		Tin plated	_____

## Product Number Structure

Refer to the charts below for determining specific part number characteristics.

Please select connectors listed in this catalog when placing orders and be sure to check the latest delivery specifications at the time of ordering the product.

### ●Straight receptacle

**FX20** - **60** **S** - **0.5** **SV** **10**

①                      ②    ③                      ④                      ⑤                      ⑥

### ●Straight header

**FX20** - **60** **P** - **0.5** **SV** **15**

①                      ②    ③                      ④                      ⑤                      ⑥

### ●Right angle receptacle

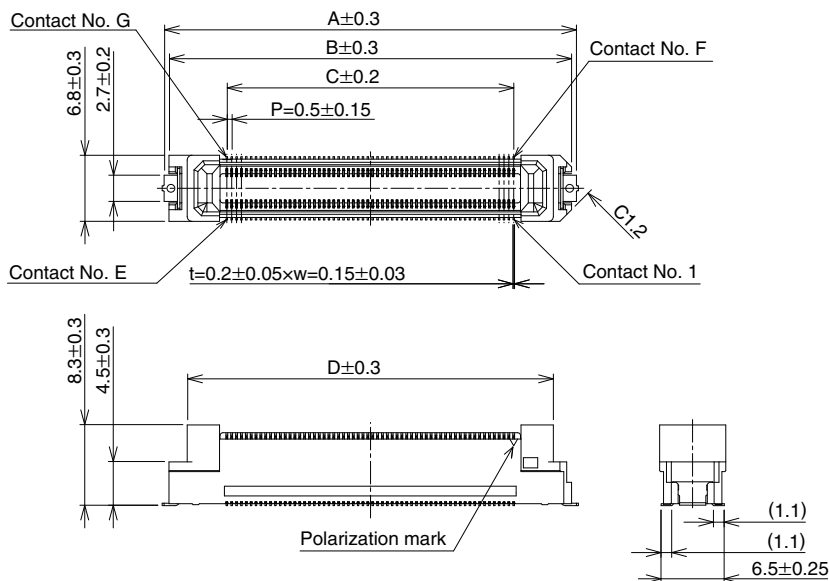
**FX20** - **60** **S** - **0.5** **SH**

①                      ②    ③                      ④                      ⑤

① Series name	: FX20
② Number (contacts):	
③ Connector type	S: Receptacle type P: Header type
④ Contact pitch	: 0.5mm
⑤ Housing configuration	: SV: Straight type SH: Right angle type
⑥ Stacking height type	Mating height [mm] = Height of the receptacle-side + Height of the header-side

●Straight receptacle

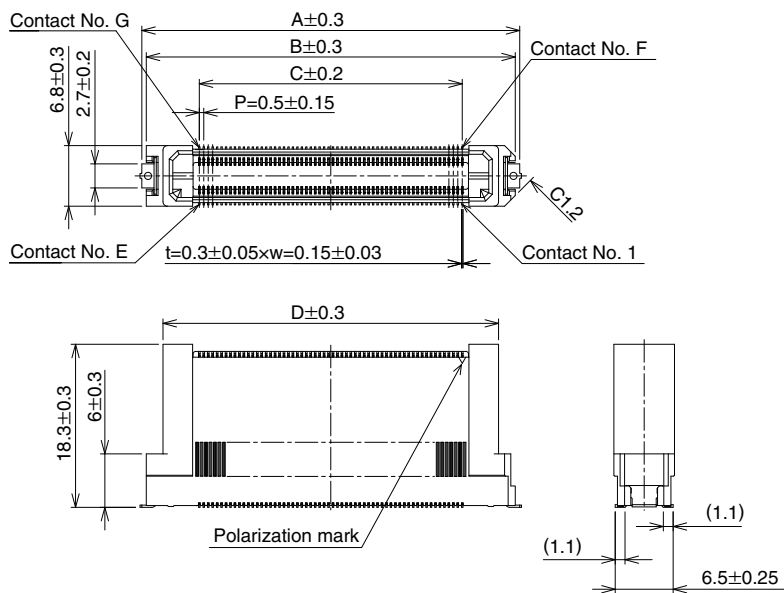
[ FX20-\*\*-S-0.5SV ]



Unit: mm

Part No.	HRS No.	Number of contacts	A	B	C	D	E	F	G
FX20-20S-0.5SV	CL570-1114-7	20	17.4	16.4	4.5	12.65	10	11	20
FX20-40S-0.5SV	CL570-1101-5	40	22.4	21.4	9.5	17.65	20	21	40
FX20-60S-0.5SV	CL570-1102-8	60	27.4	26.4	14.5	22.65	30	31	60
FX20-80S-0.5SV	CL570-1103-0	80	32.4	31.4	19.5	27.65	40	41	80
FX20-100S-0.5SV	CL570-1104-3	100	37.4	36.4	24.5	32.65	50	51	100
FX20-120S-0.5SV	CL570-1105-6	120	42.4	41.4	29.5	37.65	60	61	120
FX20-140S-0.5SV	CL570-1106-9	140	47.4	46.4	34.5	42.65	70	71	140

[ FX20-\*\*-S-0.5SV10 ]

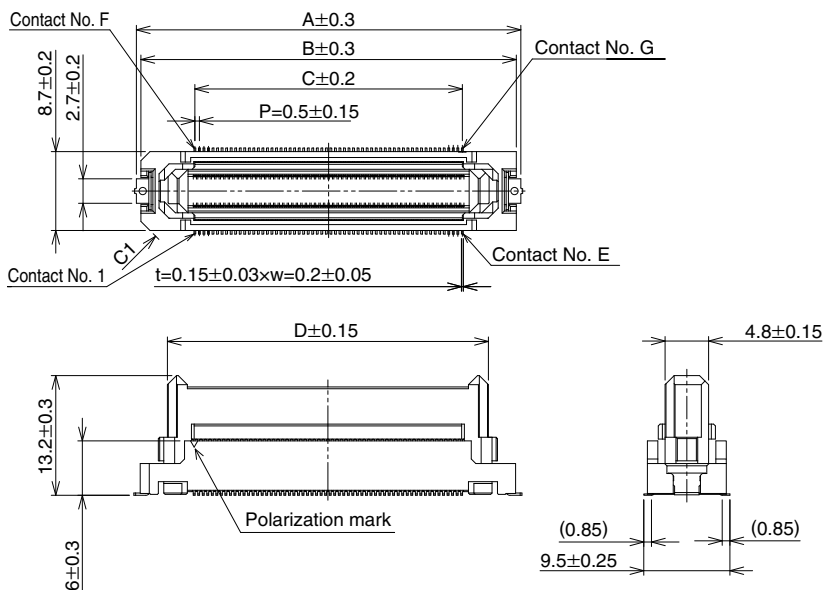


Unit: mm

Part No.	HRS No.	Number of contacts	A	B	C	D	E	F	G
FX20-20S-0.5SV10	CL570-1115-0	20	17.4	16.4	4.5	12.65	10	11	20
FX20-40S-0.5SV10	CL570-1107-1	40	22.4	21.4	9.5	17.65	20	21	40
FX20-60S-0.5SV10	CL570-1108-4	60	27.4	26.4	14.5	22.65	30	31	60
FX20-80S-0.5SV10	CL570-1109-7	80	32.4	31.4	19.5	27.65	40	41	80
FX20-100S-0.5SV10	CL570-1110-6	100	37.4	36.4	24.5	32.65	50	51	100
FX20-120S-0.5SV10	CL570-1111-9	120	42.4	41.4	29.5	37.65	60	61	120
FX20-140S-0.5SV10	CL570-1112-1	140	47.4	46.4	34.5	42.65	70	71	140

●Straight header

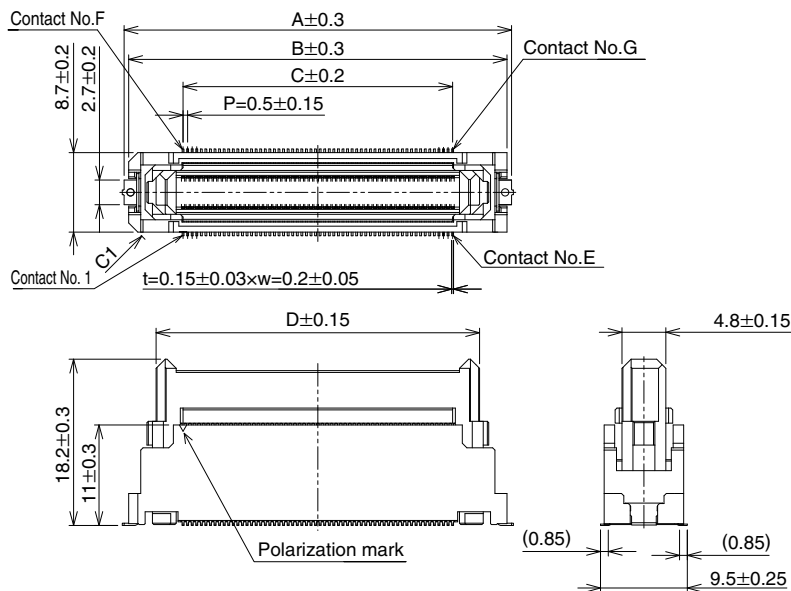
[ FX20-\*\*P-0.5SV15 ]



Unit: mm

Part No.	HRS No.	Number of contacts	A	B	C	D	E	F	G
FX20-20P-0.5SV15	CL570-1014-2	20	17.4	16.4	4.5	10.4	10	11	20
FX20-40P-0.5SV15	CL570-1001-0	40	22.4	21.4	9.5	15.4	20	21	40
FX20-60P-0.5SV15	CL570-1002-3	60	27.4	26.4	14.5	20.4	30	31	60
FX20-80P-0.5SV15	CL570-1003-6	80	32.4	31.4	19.5	25.4	40	41	80
FX20-100P-0.5SV15	CL570-1004-9	100	37.4	36.4	24.5	30.4	50	51	100
FX20-120P-0.5SV15	CL570-1005-1	120	42.4	41.4	29.5	35.4	60	61	120
FX20-140P-0.5SV15	CL570-1006-4	140	47.4	46.4	34.5	40.4	70	71	140

[ FX20-\*\*P-0.5SV20 ]

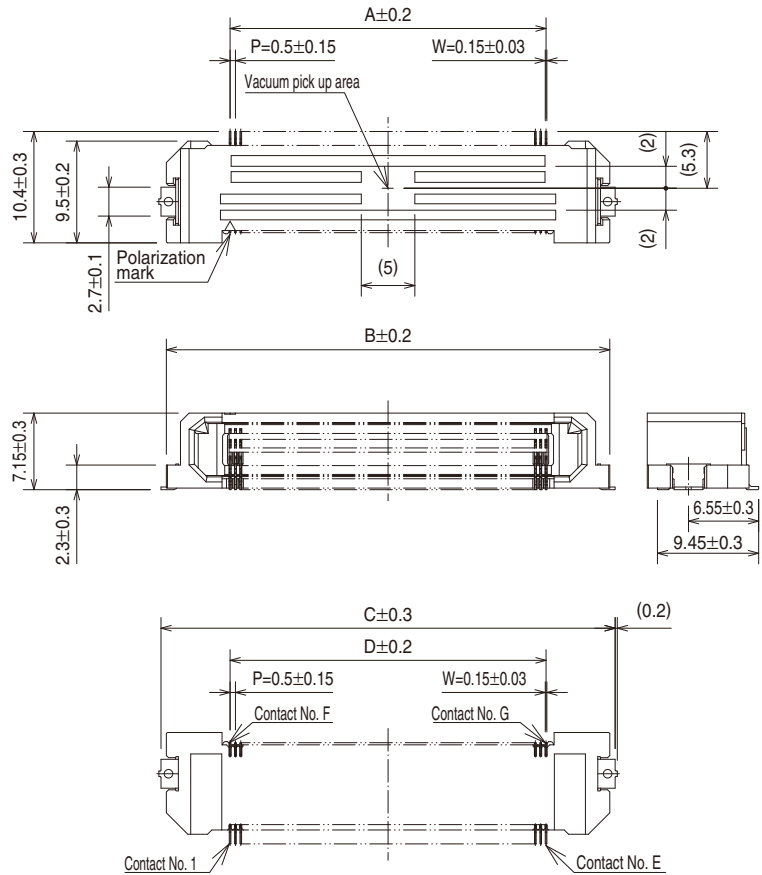


Unit: mm

Part No.	HRS No.	Number of contacts	A	B	C	D	E	F	G
FX20-20P-0.5SV20	CL570-1015-5	20	17.4	16.4	4.5	10.4	10	11	20
FX20-40P-0.5SV20	CL570-1007-7	40	22.4	21.4	9.5	15.4	20	21	40
FX20-60P-0.5SV20	CL570-1008-0	60	27.4	26.4	14.5	20.4	30	31	60
FX20-80P-0.5SV20	CL570-1009-2	80	32.4	31.4	19.5	25.4	40	41	80
FX20-100P-0.5SV20	CL570-1010-1	100	37.4	36.4	24.5	30.4	50	51	100
FX20-120P-0.5SV20	CL570-1011-4	120	42.4	41.4	29.5	35.4	60	61	120
FX20-140P-0.5SV20	CL570-1012-7	140	47.4	46.4	34.5	40.4	70	71	140

●Right angle receptacle

[ FX20-\*\*S-0.5SH ]



Unit: mm

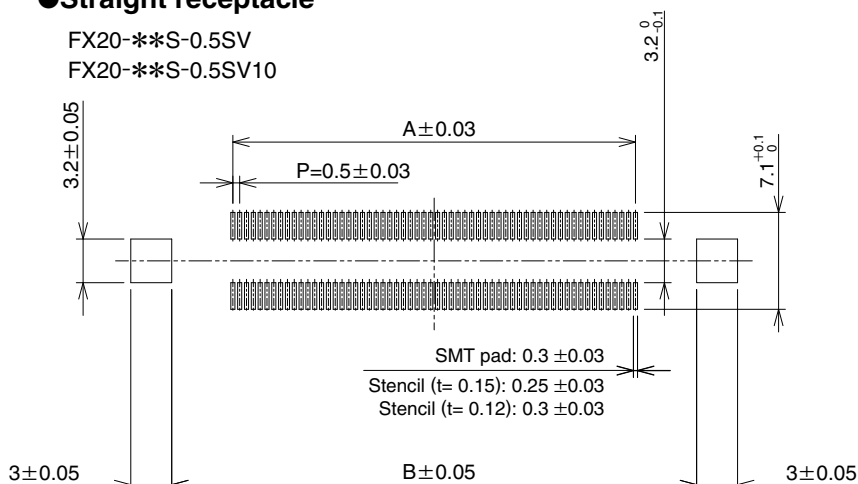
Part No.	HRS No.	Number of contacts	A	B	C	D	E	F	G
FX20-20S-0.5SH	CL570-1611-1	20	4.5	16.4	17.4	4.5	10	11	20
FX20-40S-0.5SH	CL570-1601-8	40	9.5	21.4	22.4	9.5	20	21	40
FX20-60S-0.5SH	CL570-1602-0	60	14.5	26.4	27.4	14.5	30	31	60
FX20-80S-0.5SH	CL570-1603-3	80	19.5	31.4	32.4	19.5	40	41	80
FX20-100S-0.5SH	CL570-1604-6	100	24.5	36.4	37.4	24.5	50	51	100
FX20-120S-0.5SH	CL570-1605-9	120	29.5	41.4	42.4	29.5	60	61	120
FX20-140S-0.5SH	CL570-1606-1	140	34.5	46.4	47.4	34.5	70	71	140

### Recommended PCB layout

(PCB thickness:  $t = 1.6$  mm / Stencil thickness:  $t = 0.15$  mm,  $t = 0.12$  mm)

#### ● Straight receptacle

FX20-\*\*-S-0.5SV  
FX20-\*\*-S-0.5SV10

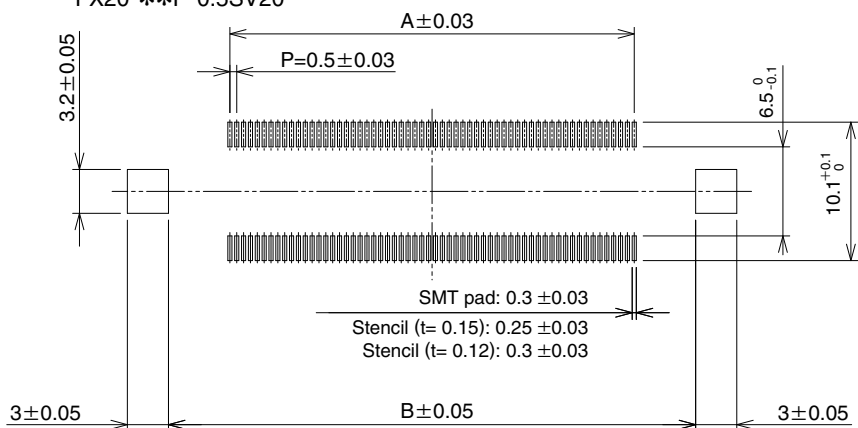


Unit: mm

**	A	B
20	4.5	13.46
40	9.5	18.46
60	14.5	23.46
80	19.5	28.46
100	24.5	33.46
120	29.5	38.46
140	34.5	43.46

#### ● Straight header

FX20-\*\*-P-0.5SV15  
FX20-\*\*-P-0.5SV20

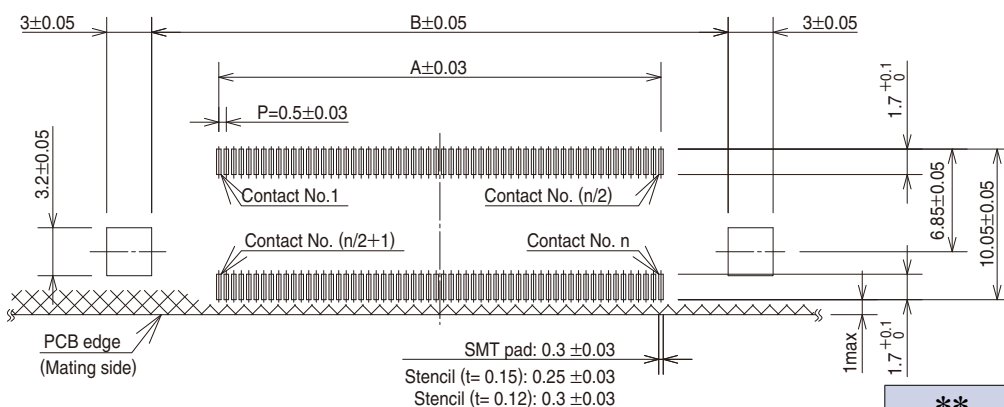


Unit: mm

**	A	B
20	4.5	13.46
40	9.5	18.46
60	14.5	23.46
80	19.5	28.46
100	24.5	33.46
120	29.5	38.46
140	34.5	43.46

#### ● Right angle receptacle

FX20-\*\*-S-0.5SH

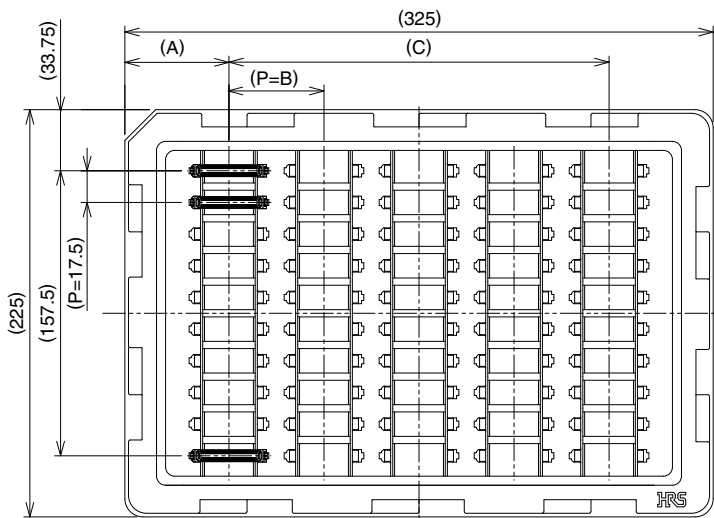


Unit: mm

**	A	B
20	4.5	13.46
40	9.5	18.46
60	14.5	23.46
80	19.5	28.46
100	24.5	33.46
120	29.5	38.46
140	34.5	43.46

◆ Tray package drawing

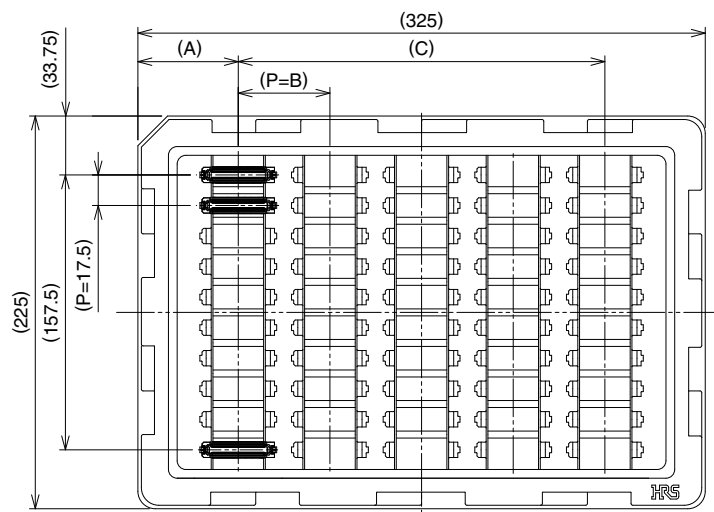
● Straight receptacle



Unit: mm

Part No.	Quantity	A	B	C
FX20-20S-0.5SV	90	42.5	30	240
FX20-20S-0.5SV10				
FX20-40S-0.5SV	80	40	35	245
FX20-40S-0.5SV10				
FX20-60S-0.5SV	70	50	37.5	225
FX20-60S-0.5SV10				
FX20-80S-0.5SV	60	50	45	225
FX20-80S-0.5SV10				
FX20-100S-0.5SV	60	47.5	46	230
FX20-100S-0.5SV10				
FX20-120S-0.5SV	50	57.5	52.5	210
FX20-120S-0.5SV10				
FX20-140S-0.5SV	50	51.5	55.5	222
FX20-140S-0.5SV10				

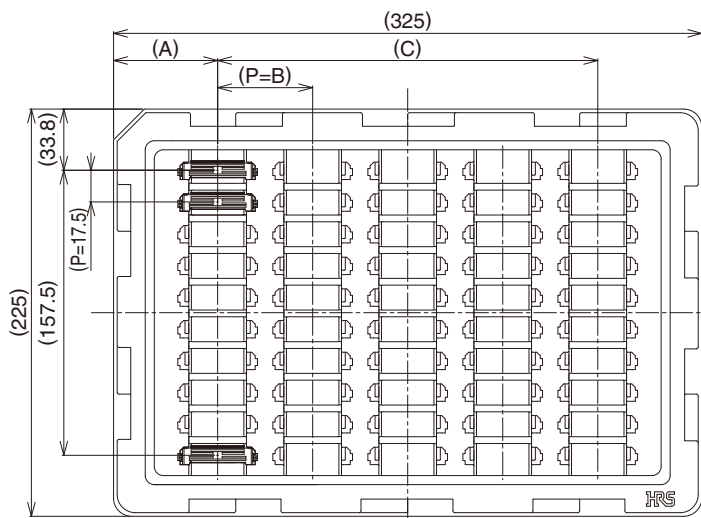
● Straight header



Unit: mm

Part No.	Quantity	A	B	C
FX20-20P-0.5SV15	90	42.5	30	240
FX20-20P-0.5SV20				
FX20-40P-0.5SV15	80	40	35	245
FX20-40P-0.5SV20				
FX20-60P-0.5SV15	70	50	37.5	225
FX20-60P-0.5SV20				
FX20-80P-0.5SV15	60	50	45	225
FX20-80P-0.5SV20				
FX20-100P-0.5SV15	60	47.5	46	230
FX20-100P-0.5SV20				
FX20-120P-0.5SV15	50	57.5	52.5	210
FX20-120P-0.5SV20				
FX20-140P-0.5SV15	50	51.5	55.5	222
FX20-140P-0.5SV20				

● Right angle receptacle

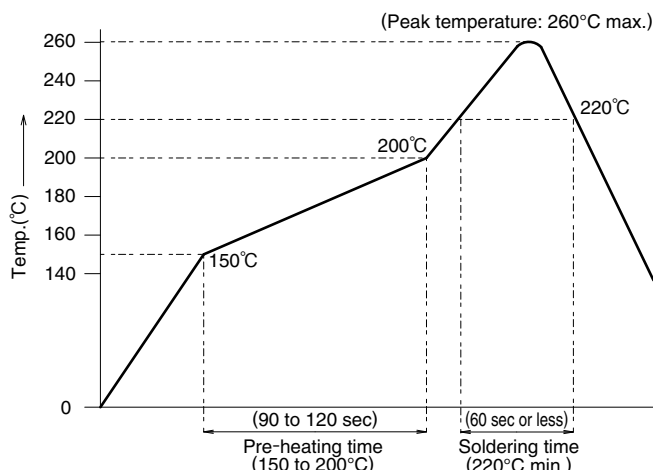


Unit: mm

Part No.	Quantity	A	B	C
FX20- 20S-0.5SH	90	42.5	30	240
FX20- 40S-0.5SH				
FX20- 60S-0.5SH	70	50	37.5	225
FX20- 80S-0.5SH				
FX20-100S-0.5SH	60	47.5	46	230
FX20-120S-0.5SH				
FX20-140S-0.5SH	50	51.5	55.5	222

### ◆ Recommended Solder

● This temperature profile is based on the setting conditions shown below and is for reference only. For individual applications, the temperature profile may vary in accordance with the conditions. Please confirm the profile before mounting.



#### <Applicable Conditions>

- Test PCB dimensions : 110 × 50 × 1.6 mm
- Material : Glass epoxy
- Solder composition : Sn- 3 Ag- 0.5 Cu
- Flux content : 11 wt%
- Stencil thickness : 0.12 mm, 0.15 mm
- Reflow count : 2 times
- Reflow area : 220°C or more, 60 sec max.
- Preheating unit : 150 to 200°C, 90 to 120 sec

\* The temperature profile may vary due to external conditions such as the type of cream solder, manufacturer, and board size. Please contact the solder manufacturer for their specifications.

### ◆ Cleaning condition

#### ● Organic solvent-based cleaning

Solvent type	Room temperature cleaning	Heated cleaning
IPA (Isopropyl alcohol)	○	○

#### ● Water based cleaning

When using water based cleaning agents (including terpene, and alkali saponifiers), pay special attention to how the cleaning agent will react to specific metals and plastics before selecting one of them. Various cleaning agent manufacturers publish reaction tables for their cleaning agents. Do not leave connectors with moisture remaining on them.

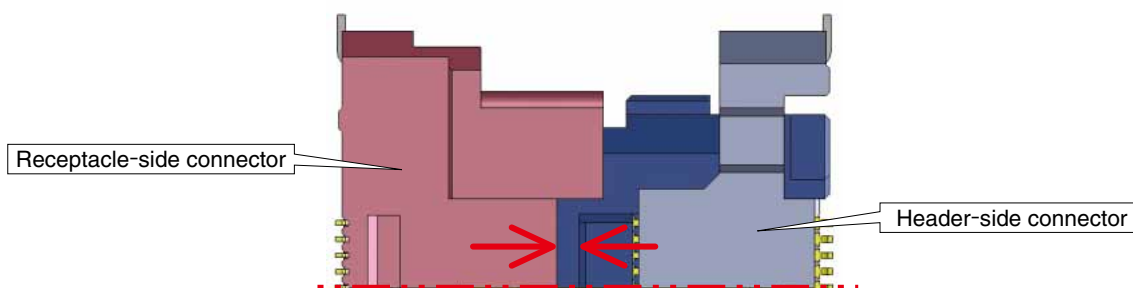
#### ● Caution when washing

The electrical performance may deteriorate if the flux or cleaning detergent is left on the connector after the cleaning. Check thoroughly to ensure that there is no residue left on any of the surfaces.

### ◆ Precautions

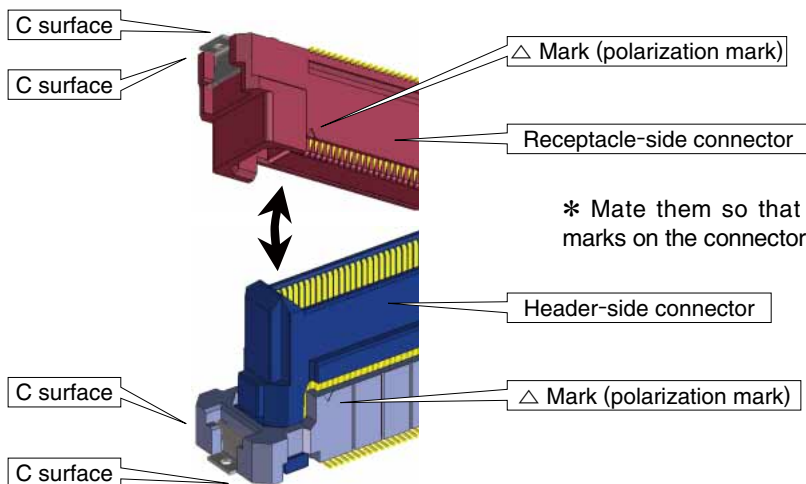
#### ● Tolerance clearance on mating

The effective contact length of each product is 1.5 mm. In the mated condition, the header and receptacle shall have a clearance or gap between them of no more than 1 mm.





●Using excessive force when mating these connectors may result in damage and alter their performance. Although they are designed with a prevention mechanism to resist incorrect insertion, do not forcibly mate them. Before mating the connector, confirm the connector polarity as shown below.



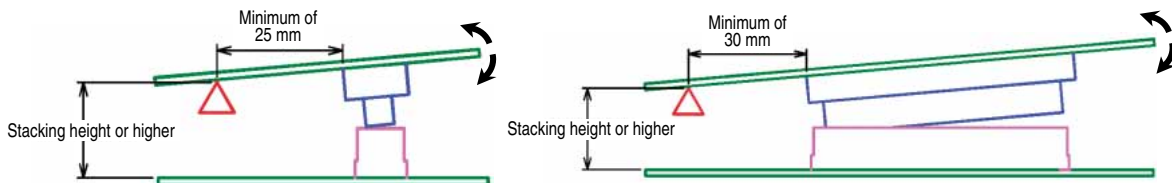
\* Mate them so that both C surfaces or both △ marks on the connector outer surface are aligned.

●Provide another form of support to the PCB. This connector was not designed to be the main form of support.

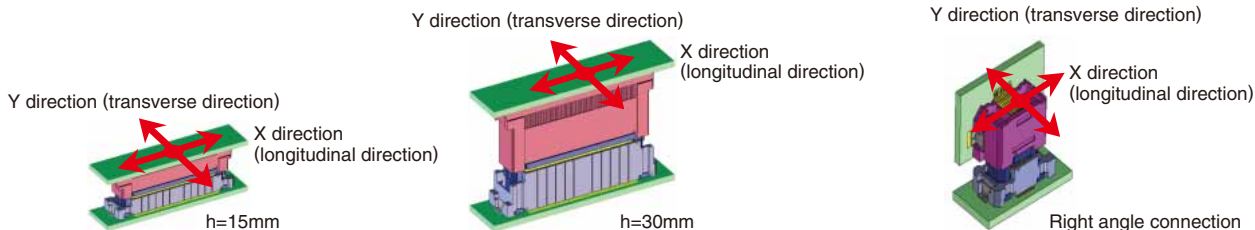
●Mating and un-mating with excessive prying force or rotating force may result in damage to the connector or contact failure.



If you have no choice but to mate and un-mate with prying force based on your usage environment, use a point as a pivot shown by △ mark in the figure below when you apply those forces. The point shall be a certain distance away from the connector end and has equal or higher height of the mating height. (Please refer to the guideline for details including the relationship between the pivot position and the connector position, and usage examples.)



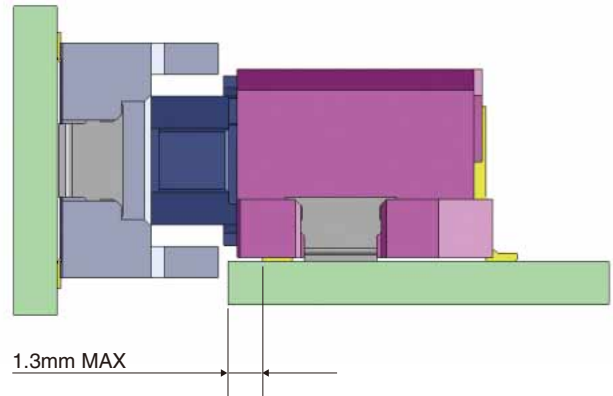
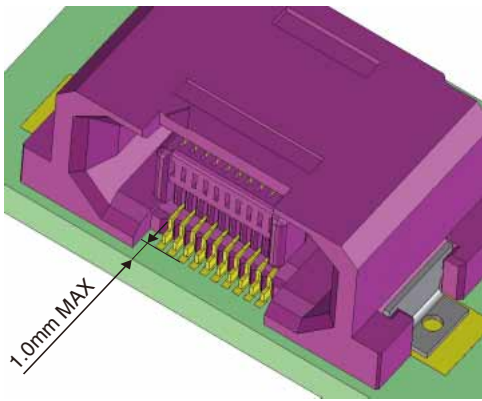
●This connector has a floating structure, but the floating range may vary depending on the height of connector on the header side (which has a floating mechanism).



Header-side	Receptacle-side	Stack height	Floating range	
			X direction (longitudinal direction)	Y direction (transverse direction)
FX20-**-P-0.5SV15	FX20-**-S-0.5SV	15mm	0.6mm	0.6mm
FX20-**-P-0.5SV20		20mm	0.8mm	0.6mm
FX20-**-P-0.5SV15	FX20-**-S-0.5SV10	25mm	0.6mm	0.6mm
FX20-**-P-0.5SV20		30mm	0.8mm	0.6mm
FX20-**-P-0.5SV15	FX20-**-S-0.5SH	—	0.6mm	0.6mm
FX20-**-P-0.5SV20		—	0.8mm	0.6mm

- If the right angle type connector is positioned too far back from the recommended connector mounting position, the straight type connector will make contact with the PCB, and these may lead to damaged product or abnormal connections.

The location of right angle type SMT pad should be set to within 1 mm from the edge of the PCB, and the mounting position should be set so that the clearance from the head of the connector to the edge of the PCB is 1.3 mm or less.



**MEMO :**

Dotted lines for memo content.

Apr.1.2016 Copyright 2016 HIROSE ELECTRIC CO., LTD. All Rights Reserved.

**USA:**

**HIROSE ELECTRIC (U.S.A.), INC. Headquarters**  
 2688 Westhills Court, Simi Valley, CA 93065-6235  
 Phone : +1-805-522-7958  
 Fax : +1-805-522-3217  
<http://www.hiroseusa.com>

**USA:**

**HIROSE ELECTRIC (U.S.A.), INC. San Jose Office**  
 3255 Scott Boulevard, Building 7, Suite 101  
 Santa Clara, CA 95054  
 Phone : +1-408-253-9640  
 Fax : +1-408-253-9641  
<http://www.hiroseusa.com>

**USA:**

**HIROSE ELECTRIC (U.S.A.), INC. Detroit Office (Automotive)**  
 37677 Professional Center Drive, Suite #100C  
 Livonia, MI 48154  
 Phone : +1-734-542-9963  
 Fax : +1-734-542-9964  
<http://www.hiroseusa.com>

**THE NETHERLANDS:**

**HIROSE ELECTRIC EUROPE B.V.**  
 Hogehillweg #8 1101 CC Amsterdam Z-O  
 Phone : +31-20-6557460  
 Fax : +31-20-6557469  
<http://www.hiroseeurope.com>

**GERMANY:**

**HIROSE ELECTRIC EUROPE B.V. German Branch**  
 Herzog-Carl-Strasse 4 D-73760 Ostfildern  
 (Scharnhauser Park)  
 Phone : +49-711-4560-02-1  
 Fax : +49-711-4560-02-299  
<http://www.hirose.de>

**UNITED KINGDOM:**

**HIROSE ELECTRIC EUROPE B.V. UK Branch**  
 22 Vincent Avenue, Crownhill Business  
 Centre, Crownhill, Milton Keynes, MK8 0AB  
 Phone : +44-1908-305750  
 Fax : +44-1908-305768  
<http://www.hirose.co.uk>

**CHINA:**

**HIROSE ELECTRIC TRADING (SHANGHAI) CO., LTD.**  
 1601, Henderson Metropolitan, NO.300, East Nanjing  
 Road, Huangpu District, Shanghai, China 200001  
 Phone : +86-21-6391-3355  
 Fax : +86-21-6391-3335  
<http://www.hirose-china.com.cn>

**CHINA:**

**HIROSE ELECTRIC TRADING (SHANGHAI) CO., LTD. Beijing Branch**  
 A1001, Ocean International Center, Building 56# East 4th  
 Ring Middle Road, Chao Yang District, Beijing, 100025  
 Phone : +86-10-5165-9332  
 Fax : +86-10-5908-1381  
<http://www.hirose-china.com.cn>

**CHINA:**

**HIROSE ELECTRIC TECHNOLOGIES (SHENZHEN) CO., LTD.**  
 Room 09-13, 19/F, Office Tower Shun Hing Square, Di Wang Commercial Centre  
 5002, ShenNanDong Road, ShenZhen City, Guangdong Province, 518008  
 Phone : +86-755-8207-0851  
 Fax : +86-755-8207-0873  
<http://www.hirose-china.com.cn>

**HONG KONG:**

**HIROSE ELECTRIC HONGKONG TRADING CO., LTD.**  
 Room 1001, West Wing, Tsim Sha Tsui Centre, 66  
 Mody Road, Tsim Sha Tsui East, Kowloon, Hong Kong  
 Phone : +852-2803-5338  
 Fax : +852-2591-6560  
<http://www.hirose-hongkong.com.hk>

**TAIWAN:**

**HIROSE ELECTRIC TAIWAN CO., LTD.**  
 103 8F, No.87, Zhengzhou Rd., Taipei  
 Phone : +886-2-2555-7377  
 Fax : +886-2-2555-7350  
<http://www.hirose-taiwan.com.tw>

**KOREA:**

**HIROSE KOREA CO., LTD.**  
 1261-10, Jeoungwhang-Dong, Shihung-City,  
 Kyunggi-Do 429-450  
 Phone : +82-31-496-7000,7124  
 Fax : +82-31-496-7100  
<http://www.hirose.co.kr>

**SINGAPORE:**

**HIROSE ELECTRIC SINGAPORE PTE. LTD.**  
 10 Anson Road #26-1 International Plaza  
 079903  
 Phone : +65-6324-6113  
 Fax : +65-6324-6123  
<http://www.hirose-singapore.com.sg>

**INDIA:**

**HIROSE ELECTRIC SINGAPORE PTE. LTD. Bangalore Liaison office**  
 Unit No.03, Ground Floor, Explorer Building International Tech  
 Park Whitefield Road, Bangalore 560066 Karnataka, India  
 Phone : +65-6324-6113  
 Fax : +65-6324-6123  
<http://www.hirose-singapore.com.sg>

**INDIA:**

**HIROSE ELECTRIC SINGAPORE PTE. LTD Delhi Liaison Office**  
 Suite No. 606 5th Floor SB Tower 1A/1 Sector  
 16 A Filmcity Noida 201301 Uttar Pradesh-India  
 Phone : +91-120-4804917  
 Fax : +91-120-4804949  
<http://www.hirose.com/sg/>

**MALAYSIA:**

**HIROSE ELECTRIC SINGAPORE PTE. LTD (Representative office)**  
 1-10-07, Suntech @ Penang Cybercity (1164), Lintang  
 Mayang Pasir 3, 11950, Bayan Baru, Penang, Malaysia.  
 Phone : +604-619-2564  
 Fax : +604-619-2574  
<http://www.hirose.com/sg/>



**HIROSE ELECTRIC CO.,LTD.**

6-3, Nakagawa Chuoh-2-Chome, Tsuzuki-Ku, Yokohama-Shi 224-8540, JAPAN  
 TEL: +81-45-620-3526 Fax: +81-45-591-3726  
<http://www.hirose.com>  
<http://www.hirose-connectors.com>