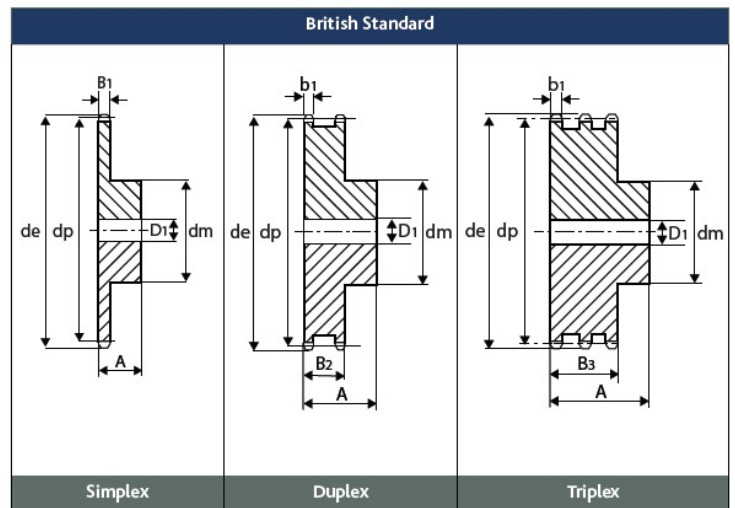
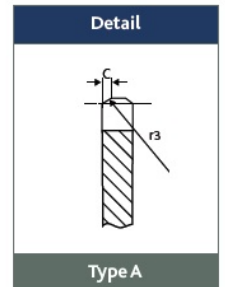


No. Teeth	Outside Diam.	Pitch Diam.	Simplex			Duplex			Triplex		
			Dm	d1	A	Dm	d1	A	Dm	d1	A
8	28.0	24.89	15	6	22	15	6	22	15	6	32
9	31.0	27.85	18	8	22	18	8	22	18	8	32
10	34.0	30.82	20	8	22	20	8	22	20	10	32
11	37.0	33.80	22	8	25	22	10	25	22	10	35
12	40.0	36.80	25	8	25	25	10	25	25	10	35
13	43.0	39.79	28	10	25	28	10	25	28	10	35
14	46.3	42.80	31	10	25	31	10	25	31	12	35
15	49.3	45.81	34	10	25	34	10	25	34	12	35
16	52.3	48.82	37	10	28	37	12	30	37	12	35
17	55.3	51.83	40	10	28	40	12	30	40	12	35
18	58.3	54.85	43	10	28	43	12	30	43	12	35
19	61.3	57.87	45	10	28	46	12	30	46	12	35
20	64.3	60.89	46	10	28	49	12	30	49	12	35
21	68.0	63.91	48	12	28	52	12	30	52	14	40
22	71.0	66.93	50	12	28	55	12	30	55	14	40
23	73.5	69.95	52	12	28	58	12	30	58	14	40
24	77.0	72.97	54	12	28	61	12	30	61	14	40
25	80.0	76.00	57	12	28	64	12	30	64	14	40
26	83.0	79.02	60	12	28	67	12	30	67	14	40
27	86.0	82.05	60	12	28	70	12	30	70	14	40
28	89.0	85.07	60	12	28	73	12	30	73	14	40
29	92.0	88.09	60	12	28	76	12	30	76	14	40
30	94.7	91.12	60	12	30	79	12	30	79	14	40
31	98.3	94.15	65	14	30	80	16	30	80	16	40
32	101.3	97.17	65	14	30	80	16	30	80	16	40
33	104.3	100.20	65	14	30	80	16	30	80	16	40
34	107.3	103.23	65	14	30	80	16	30	85	16	40
35	110.4	106.26	65	14	30	80	16	30	85	16	40
36	113.4	109.29	70	16	30	90	16	30	90	16	40
37	116.4	112.32	70	16	30	90	16	30	90	16	40
38	119.5	115.35	70	16	30	90	16	30	90	16	40
39	122.5	118.37	70	16	30	90	16	30	90	16	40
40	125.5	121.40	70	16	30	90	16	30	90	16	40
50	155.7	151.69	70	16	30						
57	176.9	172.91	70	16	30	80	16	30			
76	234.9	230.49	80	20	30						

Sprockets British Standard Pilot Bore 3/8" x 7/32" Steel C45, UNI7845



- Stock sizes
- Available on short delivery
- Tooth Radius $r_3 = 10$
- Radius size $C = 1.0$
- Tooth width $B_1 = 5.3$
- Tooth width $b_1 = 5.2$
- Tooth width $B_2 = 15.4$
- Tooth width $B_3 = 25.6$
- All dimensions in mm

Intermediate sizes & special platewheels to drawing up to 1000mm diameter

Standard: to DIN 8187 ISO/R 606

Please note: All dimensions including bore sizes subject to change.

If a dimension is critical to your application, please contact our sales department for confirmation.

For [special sprockets](#) or [reworked](#) sprockets please contact our manufacturing department.