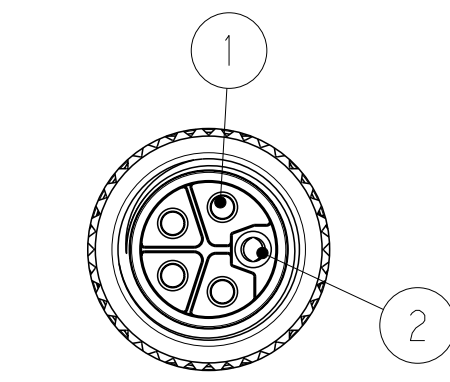


THIS DRAWING IS UNPUBLISHED. RELEASED FOR PUBLICATION
 © COPYRIGHT copyright.d8Te- ALL RIGHTS RESERVED.

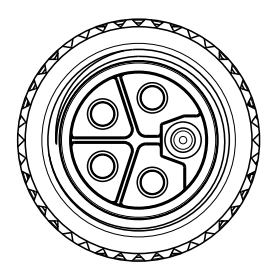
ITEM	DESCRIPTION	MATERIAL	OTHERS
1	MALE CONTACT	COPPER ALLOY	GOLD PLATED
2	FE FEMALE CONTACT	COPPER ALLOY	GOLD PLATED
3	MALE NUT	COPPER ALLOY	NICKEL PLATED
4	MALE HOUSING	NYLON	BLACK 4P GRAY 5P
5	METAL SHELL	COPPER ALLOY	NICKEL PLATED
6	CONNECTOR GRIP	TPU	BLACK
7	CABLE	PVC/PUR JACKET	BLACK OR GRAY
8	LABEL	-	-

REVISIONS				
P	LTR	DESCRIPTION	DATE	APVD
	A	NEW RELEASE	01FEB2021	AZ CW

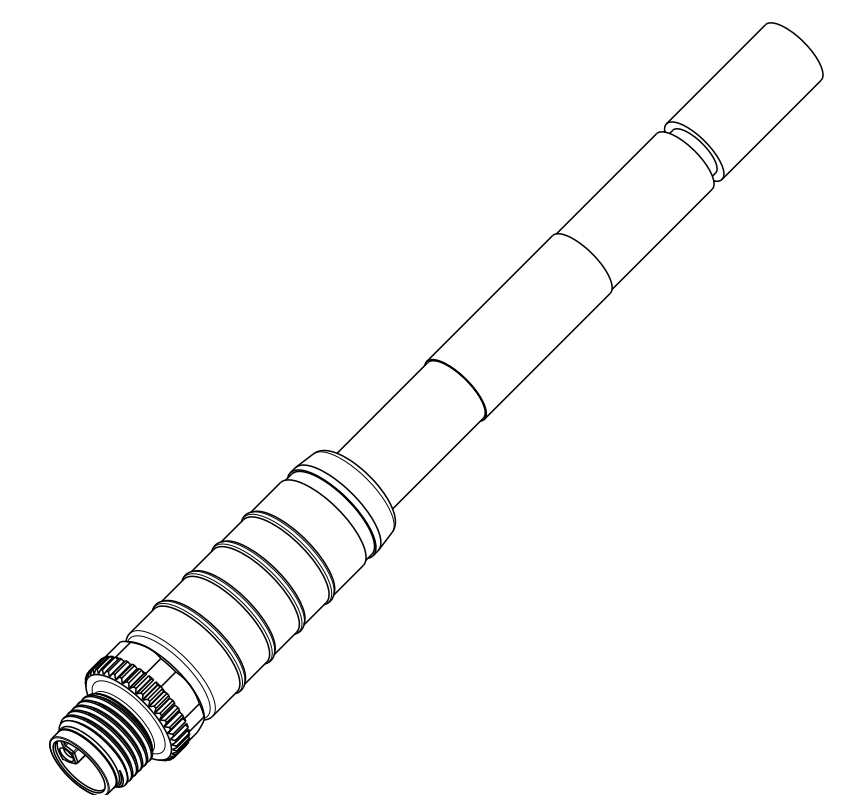
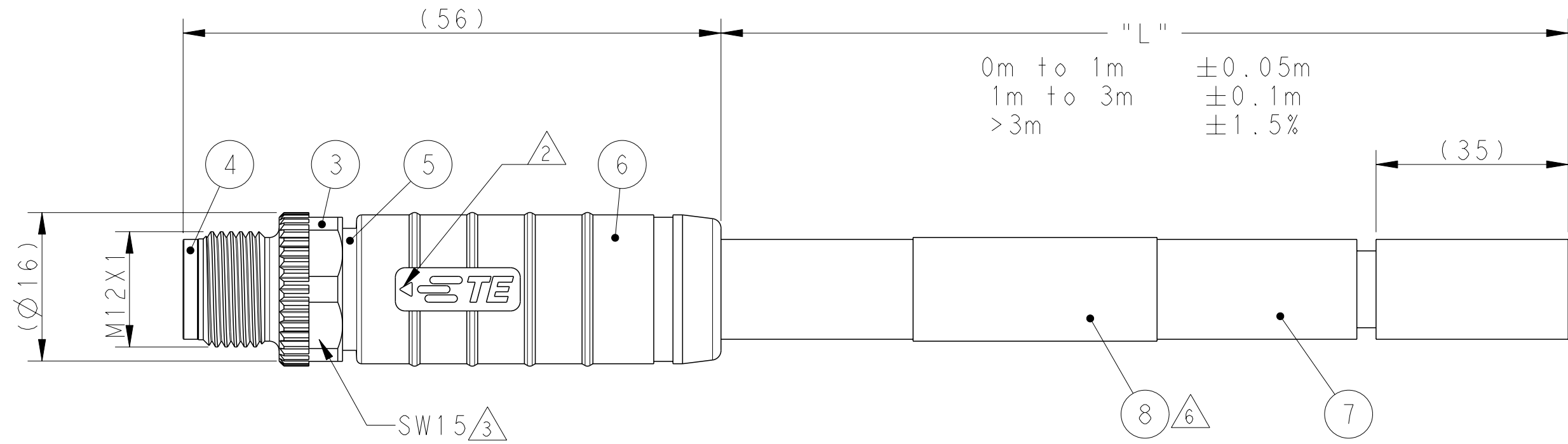
NOTE:
 1. TECHNICAL DATA SEE TABLE 1
 2. CODE POSITION INDICATOR
 3. RECOMMENDED TORQUE 0.6 Nm
 4. -*: CABLE LENGTH, FOR EXAMPLE: -0.5M
 5. CABLE ASSEMBLY TO BE PACKAGED IN POLYBAGS
 6. LABEL CONTAINS: PN, DATE CODE...



5 POLE AS SHOWN



4 POLE AS SHOWN



SCALE 1:1

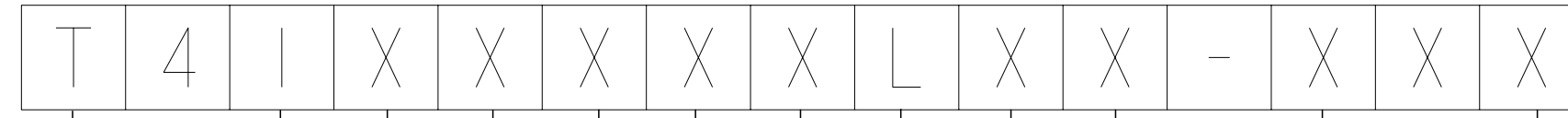
TABLE 1	
TECHNICAL DATA	
RATED VOLTAGE	63V
RATED IMPULSE VOLTAGE	1500V
RATED CURRENT	16A/14AWG 12A/16AWG
POLLUTION DEGREE	3
OVERVOLTAGE CATEGORY	III
DEGREE OF PROTECTION	IP67

THIS DRAWING IS A CONTROLLED DOCUMENT.		DWN	04NOV2020	TE Connectivity	
		CHK	04NOV2020		
		APVD	04NOV2020		
		PRODUCT SPEC	108-137350		
DIMENSIONS: mm 		TOLERANCES UNLESS OTHERWISE SPECIFIED: 0 PLC ±1 1 PLC ±0.5 2 PLC ±0.30 3 PLC ± 4 PLC ± ANGLES ± FINISH -		NAME M12 L CODE CORDSETS MALE STRAIGHT	
MATERIAL		APPLICATION SPEC		SIZE	RESTRICTED TO
		114-137144		A2	-
		WEIGHT		CAGE CODE	DRAWING NO
		-		-	G-T41X11XXLXXXX
		CUSTOMER DRAWING		SCALE	SHEET
				2:1	1 OF 2
				REV	A

THIS DRAWING IS UNPUBLISHED. RELEASED FOR PUBLICATION
 © COPYRIGHT copyright.d8Te- ALL RIGHTS RESERVED.

REVISIONS				
P	LTR	DESCRIPTION	DATE	APVD
-		SEE SHEET 1	-	-

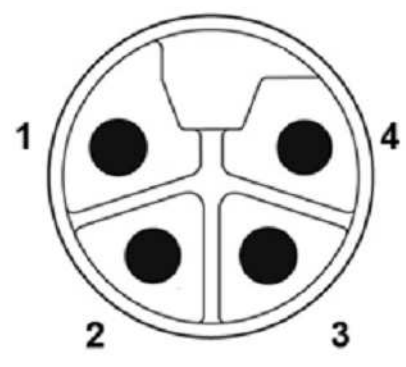
TE PN CODING:



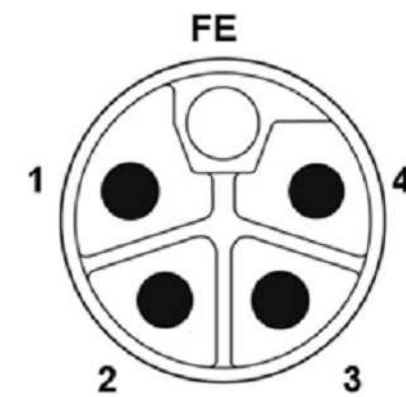
- TE M12 SERIES
- SHIELDING: 5=UNSHIELDED, 6=SHIELDED
- FORMS: 1=SINGLE ENDED, 2=DOUBLE SIDED
- WIRE TYPE: 9=PVC, 14AWG; B=PUR, 14AWG; C=PUR, 16AWG
- CABLE GRIP: 9=TPU BLACK
- JACKET COLOR: 1=BLACK, 2=GRAY
- CODE TYPE: L=L CODE
- INTERFACE TYPE: 1=MALE STRAIGHT, 2=MALE ANGLED, 3=FEMALE STRAIGHT, 4=FEMALE ANGLED, 5=MALE STRAIGHT TO FEMALE STRAIGHT, 6=MALE STRAIGHT TO FEMALE ANGLED, A=MALE ANGLED TO FEMALE STRAIGHT
- CONN. POLE: 4=4 POLES, 5=5 POLES
- TYPICAL LENGTH: -001: 0.5M, -002: 1.0M, -003: 1.5M, -020: 2.0M, -004: 3.0M, -005: 5.0M, -006: 7.0M, -007: 10.0M, -200: 20.0M
- CUSTOMIZATION RULES: -99X: 0.XM (<1.0M), (-993: 0.3M), -XXX: XX.XM (>1.0M), (-155: 15.5M)

CIRCUIT DIAGRAM L CODE

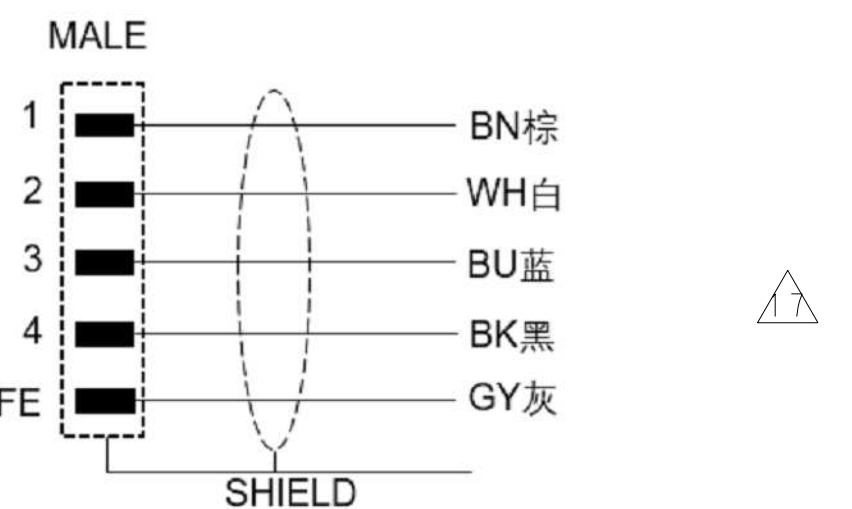
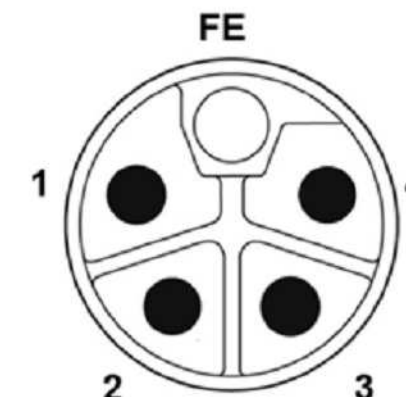
CIRCUIT DIAGRAM UNSHIELDED 4P



CIRCUIT DIAGRAM UNSHIELDED 5P



CIRCUIT DIAGRAM SHIELDED 5P



<p>WIRES: 5X14AWG JACKET: PUR GRAY WIRE COLOR: BROWN/WHITE/BLUE/BLACK/GRAY OD: APPROX. 10.40mm TEMPERATURE RATING: 80°C UL TEMP RATING: -50°C TO +80°C FIXED, -30°C TO +80°C MOVED SUITABLE FOR DRAG CHAIN APPLICATIONS</p>
<p>WIRES: 5X16AWG JACKET: PUR GRAY WIRE COLOR: BROWN/WHITE/BLUE/BLACK/GRAY OD: APPROX. 9.10mm TEMPERATURE RATING: 80°C UL TEMP RATING: -50°C TO +80°C FIXED, -30°C TO +80°C MOVED SUITABLE FOR DRAG CHAIN APPLICATIONS</p>
<p>WIRES: 5X14AWG JACKET: PUR GRAY WIRE COLOR: BROWN/WHITE/BLUE/BLACK/GRAY OD: APPROX. 9.65mm TEMPERATURE RATING: 80°C UL TEMP RATING: -50°C TO +80°C FIXED, -30°C TO +80°C MOVED SUITABLE FOR DRAG CHAIN APPLICATIONS</p>
<p>WIRES: 5X14AWG JACKET: PVC GRAY WIRE COLOR: BROWN/WHITE/BLUE/BLACK/GRAY OD: APPROX. 10.1mm TEMPERATURE RATING: 80°C UL TEMP RATING: -40°C TO +80°C FIXED, -20°C TO +80°C MOVED</p>
<p>WIRES: 4X16AWG JACKET: PUR BLACK WIRE COLOR: BROWN/WHITE/BLUE/BLACK OD: APPROX. 8.4mm TEMPERATURE RATING: 80°C UL TEMP RATING: -50°C TO +80°C FIXED, -30°C TO +80°C MOVED SUITABLE FOR DRAG CHAIN APPLICATIONS</p>
<p>WIRES: 4X14AWG JACKET: PVC BLACK WIRE COLOR: BROWN/WHITE/BLUE/BLACK OD: APPROX. 9.5mm TEMPERATURE RATING: 80°C UL TEMP RATING: -40°C TO +80°C FIXED, -20°C TO +80°C MOVED</p>

TYPICAL LENGTH:

- 001: 0.5M
- 002: 1.0M
- 003: 1.5M
- 020: 2.0M
- 004: 3.0M
- 005: 5.0M
- 006: 7.0M
- 007: 10.0M
- 200: 20.0M

CUSTOMIZATION RULES:

- 99X: 0.XM (<1.0M)
- (-993: 0.3M)
- XXX: XX.XM (>1.0M)
- (-155: 15.5M)

CABLE CHARACTERISTIC	LENGTH "L"	TYPE	POS.	HSG COLOR	SHIELDING	TABLE 2 TE PN
RPC-M12L-5MS-**-SH PUR 14AWG GY	4	5	GRAY	Y	T41611B9L25-XXX	17
RPC-M12L-5MS-**-PUR 16AWG GY	4	5	GRAY	N	T41511C9L25-XXX	16
RPC-M12L-5MS-**-PUR 14AWG GY	4	5	GRAY	N	T41511B9L25-XXX	16
RPC-M12L-5MS-**-PVC 14AWG GY	4	5	GRAY	N	T4151199L25-XXX	16
RPC-M12L-4MS-**-PUR 16AWG BK	4	4	BLACK	N	T41511C9L14-XXX	15
RPC-M12L-4MS-**-PVC 14AWG BK	4	4	BLACK	N	T4151199L14-XXX	15

THIS DRAWING IS A CONTROLLED DOCUMENT.

DWN: ALEX ZHANG 04NOV2020
 CHK: HART HE 04NOV2020
 APVD: CHRIS WANG 04NOV2020

STE TE Connectivity

NAME: M12 L CODE CORDSETS MALE STRAIGHT

PRODUCT SPEC: 108-137350
 APPLICATION SPEC: 114-137144

SIZE: A2 CAGE CODE: - DRAWING NO: G-T41X11XXLXXXXX RESTRICTED TO: -

MATERIAL: - FINISH: - WEIGHT: - CUSTOMER DRAWING SCALE: 2:1 SHEET 2 OF 2 REV A