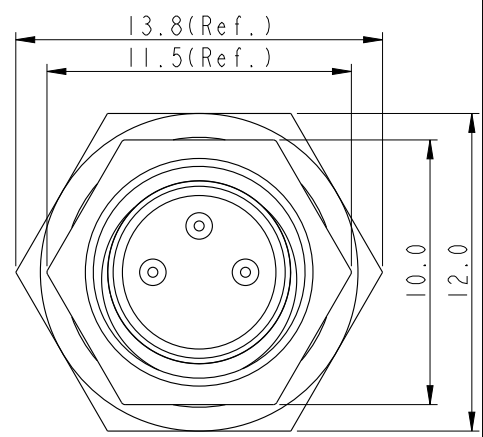
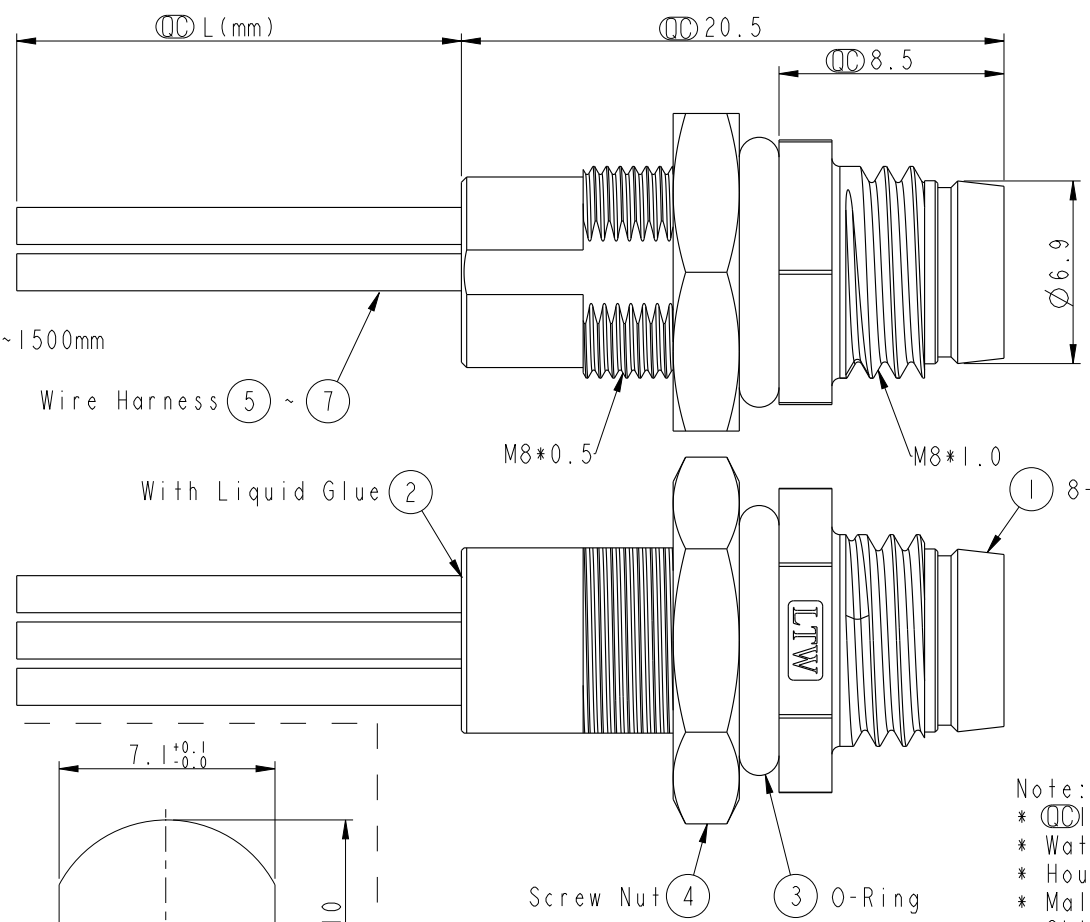


REV.	ECN NO.	DATE	SIGN	DESCRIPTION
B	LE31410394~96	2014-01-09	Tony_leng	Change Ball No. & Wire Length

THIS DOCUMENT IS SUBJECT TO CHANGE WITHOUT NOTICE. IT IS CONFIDENTIAL AND A PROPERTY OF AMPHENOL LTW. DISCLOSURE TO THIRD PARTY HAS TO BE AUTHORIZED BY AMPHENOL LTW.

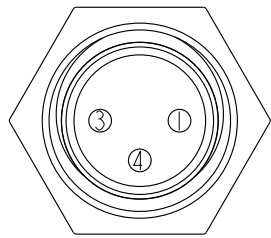
8-03PMMS-SH7AXX $\triangle B$

XX: 150~1500mm
 15: 150mm
 30: 300mm
 50: 500mm
 A0: 1000mm
 A5: 1500mm
 Wire Length(L): 150~1500mm

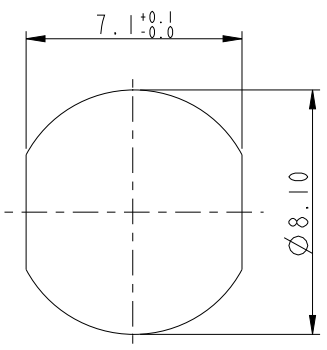


ALTW
CONFIDENTIAL
 2014-01-09
R&D DEPT.

ALTW
 DCC. DEPT.
 CONFIDENTIAL
 2014.01.23
ISSUED



Pin Assignment
Front View



Recommended
Panel Cut-Out

4	Black	黑
3	Blue	藍
1	Brown	棕
Conn.	Wire Color	Pin Out

Note:
 * \varnothing Important Dimension.
 * Waterproof Rate: IP67
 * Housing: Nylon+GF, Black
 * Male Pin: Copper Alloy, Gold Plated
 * Shield: Zinc Alloy, Nickel Plated
 * Nut: Copper Alloy, Nickel Plated
 * O-Ring: EPDM, Black
 * Wire Harness: UL1007, 24AWG
 * For Panel Thickness Max 3.5mm
 * Nut Torque: 4-6 kgf.cm
 $\triangle B$ * Wire harness Tolerance: 150~300±15mm
 301~1000±20mm
 Over1000 ±40mm

UNIT:mm		TITLE M12 Panel with wire harness	Amphenol LTW 安費諾亮泰企業股份有限公司		ITEM NO 8-03PMMS-SH7AXX	DRAWN BY Tony_leng	DATE 2014-01-09
TOLERANCE .X ±0.25 .XX ±0.1 .XXX ±0.05 ANGLES ±1°	SCALE 1:1	SIZE A4	SHEET 1 OF 1	REV. B	CHECKED BY Jimmy	DATE 2014-01-09	APPROVED BY Jerry
		WC-REV. B.2	\varnothing : Inspection item		CUSTOMER ALTW	DATE 2014-01-09	