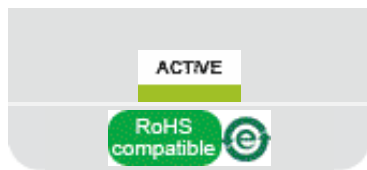
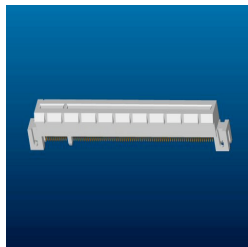


10025026-10003TLF - PCI
Express : x16 Straddle-Mount
Card Edge Connector, 164
Positions, 1 mm (0.039 in.)
Pitch



www.fci.com

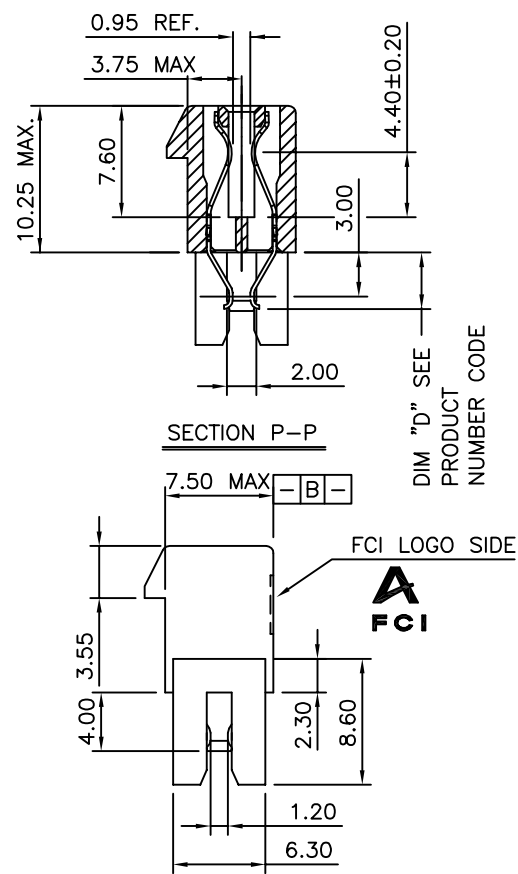
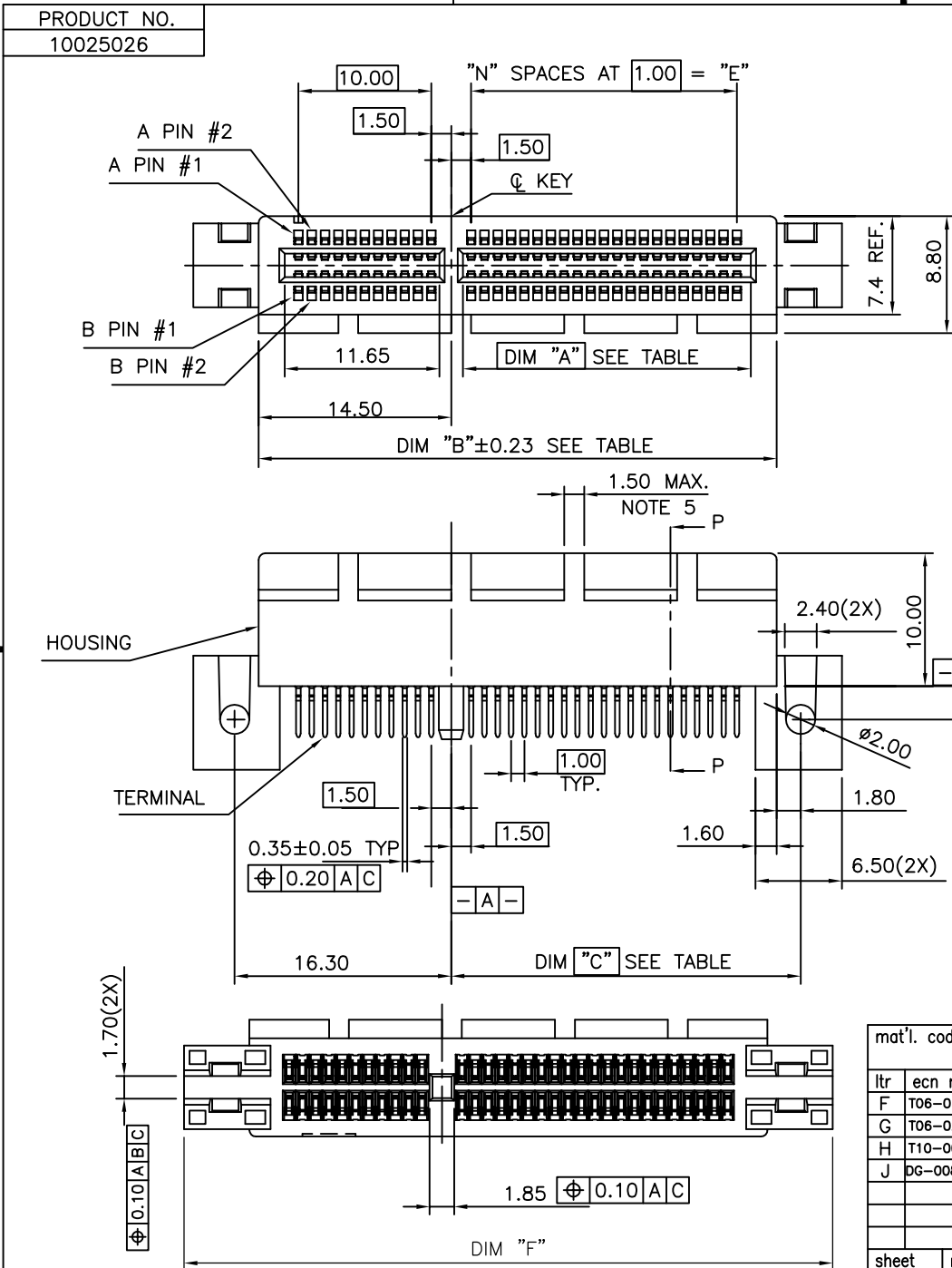
Specifications

General	
Component Type	Straddle - Mount Connector
Number of contacts (Total)	164 (x16)
Orientation (Features)	Plastic Post
Dimensional	
Thickness (Board)	1.56 mm (0.062 in.)
PCB Thickness (Add-In)	1.57 mm (0.062 in.)
Electrical	
Current rating	1.1 amps for 8 Specified Power Contacts and 8 nearest Ground Contacts
Resistance (Contact)	30 milli ohms max. (Initial) with 10 milli ohms max. change after Exposure Testing
Resistance (Insulation)	1000 M-ohms
Voltage rating	300V AC
Mechanical	
Durability (Mating cycles)	50
Withdrawal Force	0.15N minimum per Contact pair
Mating force	1.15N maximum per Contact pair 30 grams per Contact average
Mounting	
Solder process	Reflow Solder
Physical	
Color (Housing)	Black
Material (Contact)	Copper Alloy
Material (Housing)	High - Temperature Nylon, Glass - Filled, UL94V-0
Plating (Contact area)	0.76 μm (30 $\mu\text{in.}$) Gold over 1.27 μm (50 $\mu\text{in.}$) Nickel
Plating (Solder area)	2.54 μm (100 $\mu\text{in.}$) Tin over 1.27 μm (50 $\mu\text{in.}$) Nickel
Temperature (Range)	-55°C to +85°C
Approvals / Certifications	
Approvals / Certifications	UL Approved
Other Features	
Packaging (Type)	Tray
Literature	950505-009

All rights strictly reserved. Reproduction or issue to third parties in any form whatever is not permitted without written authority from the proprietor. Property of FCI. Copyright FCI.



Tous droits strictement réservés. Reproduction ou communication a des tiers interdite sous quelque forme que ce soit sans autorisation écrite du propriétaire. Propriété de c FCI. Droits de reproduction FCI.

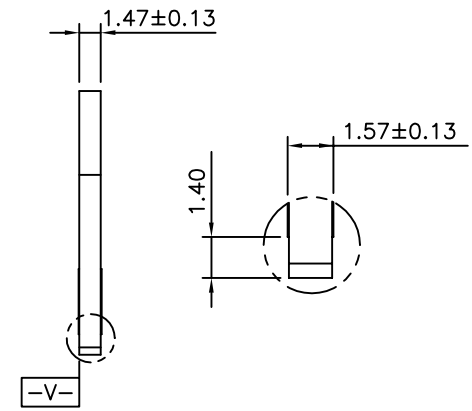
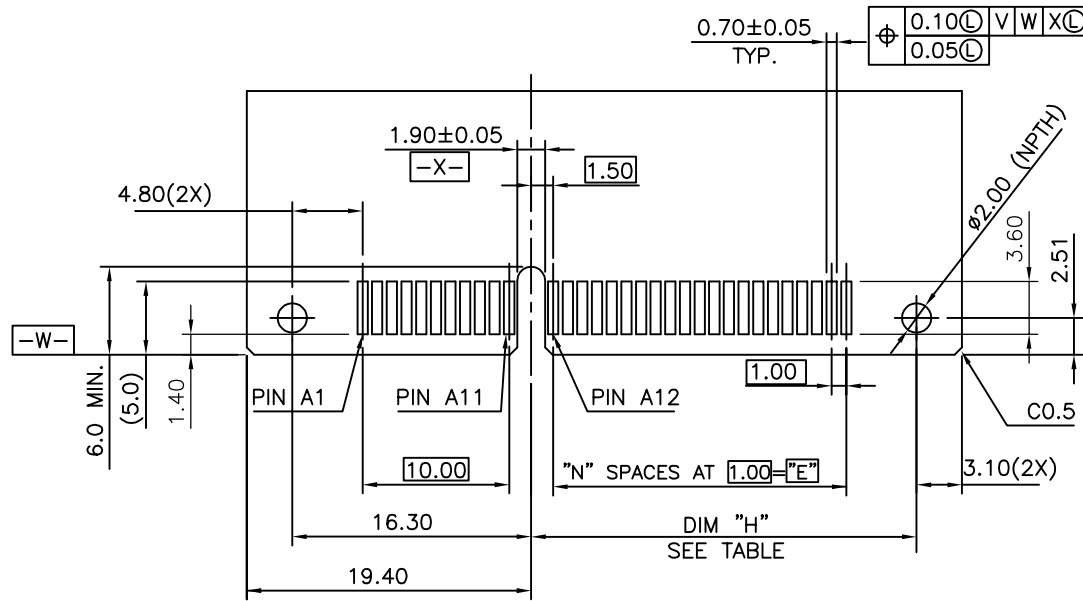


mat'l. code				tolerances unless otherwise specified				CUSTOMER COPY		FCI	
ltr	ecn no	dr	date	linear	.X ± 0.30		projection	www.fciconnect.com			
F	T06-0179	M W	10/24/06		.XX ± 0.20			title		PCI EXPRESS STRADDLE MOUNT CARD EDGE ASSY	
G	T06-0209	M W	12/08/06		.XXX ± 0.10			product family		EDGE CARD	
H	T10-0068	J H	5/26/10	angles	0° ±2°		MM	size		code	
J	06-008880	H T	12/12/11	dr	MAGGIE WU	03/13/03		scale		A4	10025026
				enr	R Y LIU	03/13/03	2:1				sheet
				chr	R Y LIU	03/13/03					1 of 7
				appd	JENN TSAO	03/13/03					
sheet index	revision sheet	J 1	J 2	J 3	J 4	J 5	J 6	J 7			

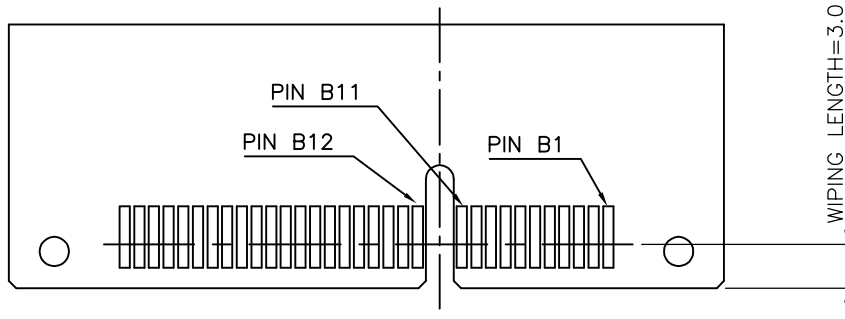
Tous droits strictement reserves. Reproduction ou communication a des tiers interdite sous quelque forme que ce soit sans autorisation ecrite du proprietaire. Propriete de c FCI. Droits de reproduction FCI.



All rights strictly reserved. Reproduction or issue to third parties in any form whatever is not permitted without written authority from the proprietor. Property of FCI. Copyright FCI.



SCALE 2:1



RECOMMEND OF PCB DIMENSIONS

#	POS REF.	N	DIM "H"	DIM "E"
36		6	12.30	6.00
64		20	26.30	20.00
98		37	43.30	37.00
164		70	76.30	70.00

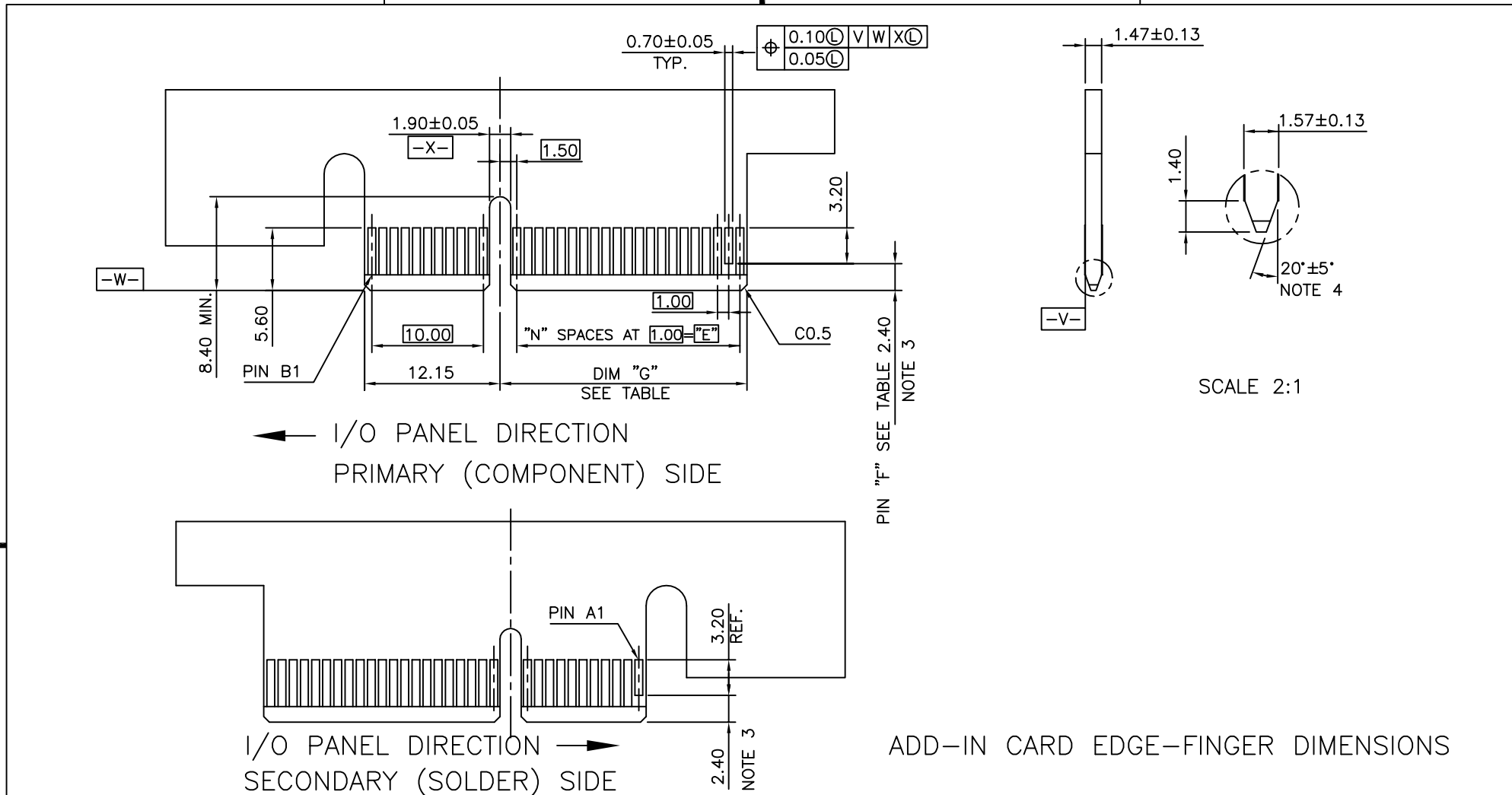
mat'l. code				tolerances unless otherwise specified			CUSTOMER COPY		 www.fciconnect.com		
ltr	ecn no	dr	date	linear	.X ± 0.30		projection	 title PCI EXPRESS STRADDLE MOUNT CARD EDGE ASS'Y			
J					.XX ± 0.20						
					.XXX ± 0.10						
				angles	0° ±2°		 MM scale 2:1	product family EDGE CARD		code	
				dr	MAGGIE WU	03/13/03		size dwg no		TWN	
				enr	R Y LIU	03/13/03		A4		10025026	sheet
				chr	R Y LIU	03/13/03				2 of	
				appd	JENN TSAO	03/13/03					
sheet index	revision sheet										

cage code 22526

Tous droits strictement réservés. Reproduction ou communication a des tiers interdite sous quelque forme que ce soit sans autorisation écrite du propriétaire. Propriété de c FCI. Droits de reproduction FCI.



All rights strictly reserved. Reproduction or issue to third parties in any form whatever is not permitted without written authority from the proprietor. Property of FCI. Copyright FCI.



I/O PANEL DIRECTION
PRIMARY (COMPONENT) SIDE

I/O PANEL DIRECTION
SECONDARY (SOLDER) SIDE

PIN "F" SEE TABLE 2.40
NOTE 3

ADD-IN CARD EDGE-FINGER DIMENSIONS

#	POS	REF.	N	DIM "G"	"F"
36	6		8.15	B17	
64	20		22.15	B31	
98	37		39.15	B48	
164	70		72.15	B81	

mat'l. code				tolerances unless otherwise specified		CUSTOMER COPY	
ltr	ecn no	dr	date	linear	.X ± 0.30	projection	
J					.XX ± 0.20		
				angles	0° ± 2°		
		dr	MAGGIE WU 03/13/03				title PCI EXPRESS STRADDLE MOUNT CARD EDGE ASS'Y
		enr	R Y LIU 03/13/03				
		chr	R Y LIU 03/13/03				
		appd	JENN TSAO 03/13/03			product family EDGE CARD	code TWN
sheet index	revision sheet					size A4	scale 2:1
						product family EDGE CARD	code TWN

CONFIDENTIAL

		www.fciconnect.com	
title PCI EXPRESS STRADDLE MOUNT CARD EDGE ASS'Y		product family EDGE CARD	
size A4		code TWN	
scale 2:1		sheet 3 of	

NOTES:

1.MATERIAL:

HOUSING: HIGH TEMPERATURE NYLON, GLASS FILLED UL94V-0 RATED.

TERMINAL: COPPER ALLOY

PLATING: 50u" NICKEL UNDERPLATE ALL OVER
CONTACT AREA PLATING - SEE PRODUCT NUMBER CODE
SOLDER TAIL: TIN OR TIN/LEAD (90/10) - SEE PRODUCT NO. CODE
100u" MIN. OVER 50u" NICKEL

METAL BOARD LOCKS: COPPER ALLOY
FINISH: 100u" TIN OR TIN/LEAD (90/10) OVER 50u" NICKEL UNDERPLATE
SEE PRODUCT NUMBER CODE

2.PRODUCT SPECIFICATION: GS-12-233

③NO TIE BAR PERMITTED FROM CARD EDGE TO LEADING EDGE OF PAD FOR PINS A1 AND PIN NUMBERS "F".

④CHAMFER EDGES MUST BE FREE OF CUTTING BURRS.

⑤FREQUENCY & LOCATION AT SUPPLIER DISCRETION. RIDGE MAY BE CONTINUOUS WITH NO BREAKS.

6.RoHS COMPATIBLE PRODUCT SPECIFICATIONS

a - PLATING:

- "LF" MEANS THE PRODUCT IS LEAD-FREE, 2um MINIMUM MATTE TIN OVER 1.27um MINIMUM NICKEL UNDERPLATE.

b - MANUFACTURING PROCESS COMPATIBILITY

- THE HOUSING WILL WITHSTAND EXPOSURE TO 260°C±5°C SOLDER BATH TEMPERATURE FOR 5 SECONDS IN A REFLOW SOLDER APPLICATION WITH A 1.6mm MIN THICK CIRCUIT BOARD.

CONNECTOR	# POS REF.	N	DIM "A"	DIM "B"	DIM "C"	"E"	"F"
1 PORT	36	6	7.65	25.00	12.30	6.00	34.8
4 PORT	64	20	21.65	39.00	26.30	20.00	48.8
8 PORT	98	37	38.65	56.00	43.30	37.00	65.8
16 PORT	164	70	71.65	89.00	76.30	70.00	98.8

PRODUCT NUMBER CODE

10025026 -X 0 X 0 X T □ □

HOUSING COLOR OPTIONS

- 0-NATURAL
- 1-BLACK

RESERVE

LEAD FREE OPTIEON

LEAVE BLANK FOR TERMINAL PLATING 3.4.5
"LF" FOR TERMINAL PLATING OPTION 0,1,2

PACKAGING OPTIONS

- T: TRAY PACKAGING(IN GENERAL VERTICAL DIRECTION)
- C: TAPE & REEL WITH INSERT CAP (FOR 98P ONLY)
- H: TRAY PACKAGING(IN SPECIAL HORIZONTAL DIRECTION)

POS OPTIONS

- 0-36
- 1-64
- 2-98
- 3-164

TERMINAL PLATING OPTIONS

- 0-50u" Ni UNDERPLATE
30u" Au CONTACT AREA
100u" TIN TAIL AREA ----- COMPATIBLE RoHS
- 1-50u" Ni UNDERPLATE
15u" Au CONTACT AREA
100u" TIN TAIL AREA ----- COMPATIBLE RoHS
- 2-50u" Ni UNDERPLATE
GOLD FLASH CONTACT AREA
100u" TIN TAIL AREA ----- COMPATIBLE RoHS
- 3-50u" Ni UNDERPLATE
30u" Au CONTACT AREA
100u" TIN/LEAD TAIL AREA ----- INCOMPLIANT RoHS
- 4-50u" Ni UNDERPLATE
15u" Au CONTACT AREA
100u" TIN/LEAD TAIL AREA ----- INCOMPLIANT RoHS
- 5-50u" Ni UNDERPLATE
GOLD FLASH CONTACT AREA
100u" TIN/LEAD TAIL AREA ----- INCOMPLIANT RoHS

TAIL LENGTH OPTIONS

DIM "D"	PCB THICKNESS
3.85 +0.25 -0.13	1.56

CONFIDENTIAL

mat'l. code				tolerances unless otherwise specified		CUSTOMER COPY	FCJ		
ltr	ecn no	dr	date	linear	.X ± 0.30	projection MM	www.fciconnect.com		
J					.XX ± 0.20		title PCI EXPRESS STRADDLE MOUNT CARD EDGE ASS'Y	product family EDGE CARD	
				angles	.XXX ± 0.10			code TWN	
				dr	0° ±2°	scale 1:1	size A4	code 10025026	sheet 4 of
sheet index	revision sheet			enrg	MAGGIE WU 03/13/03				
				chr	R Y LIU 03/13/03				
				appd	JENN TSAO 03/13/03				

cage code
22526

Tous droits strictement reserves. Reproduction ou communication a des tiers interdite sous quelque forme que ce soit sans autorisation ecrite du proprietaire. Propriete de c FCI. Droits de reproduction FCI.

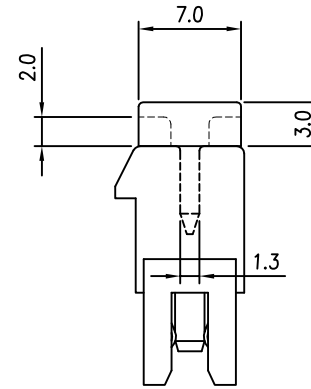
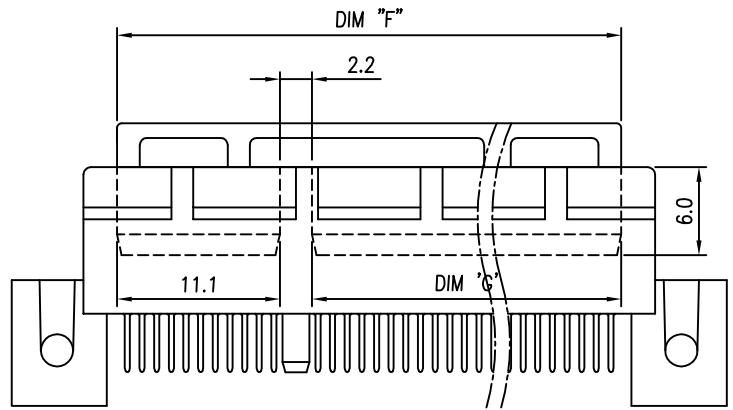
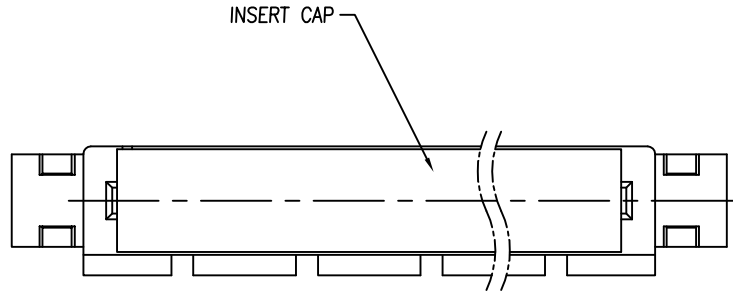


All rights strictly reserved. Reproduction or issue to third parties in any form whatever is not permitted without written authority from the proprietor. Property of FCI. Copyright FCI.

Tous droits strictement reserves. Reproduction ou communication a des tiers interdite sous quelque forme que ce soit sans autorisation écrite du propriétaire. Propriete de c FCI. Droits de reproduction FCI.



All rights strictly reserved. Reproduction or issue to third parties in any form whatever is not permitted without written authority from the proprietor. Property of FCI. Copyright FCI.



NOTES:

- MATERIAL:
INSERT CAP: THERMOPLASTIC LCP OR PA9T,
UL94V-0; BLACK COLOR.
- THIS IS AVAILABLE FOR 8X PCI-E ONLY.
P/N: 10025026-XXXX2CLF.

DIMENSIONS			
POSITION	F	G	STATUS
36	20.4	7.1	N/A
64	34.4	21.1	N/A
98	51.4	38.1	AVAILABLE
164	84.4	71.1	N/A

mat'l. code				tolerances unless otherwise specified			CUSTOMER COPY		 www.fciconnect.com	
ltr	ecn no	dr	date	linear	.X ± 0.30		projection	 title PCI EXPRESS STRADDLE MOUNT CARD EDGE ASSY		
J					.XX ± 0.20					
					.XXX ± 0.10					
				angles	0° ± 2°		 MM	product family EDGE CARD		code TWN
				dr	MAGGIE WU	03/13/03		size dwg no		sheet 5 of
				enr	RY LIU	03/13/03	scale	A4		10025026
				chr	RY LIU	03/13/03		N/A		
				appd	JENN TSAO	03/13/03				
sheet index	revision sheet									

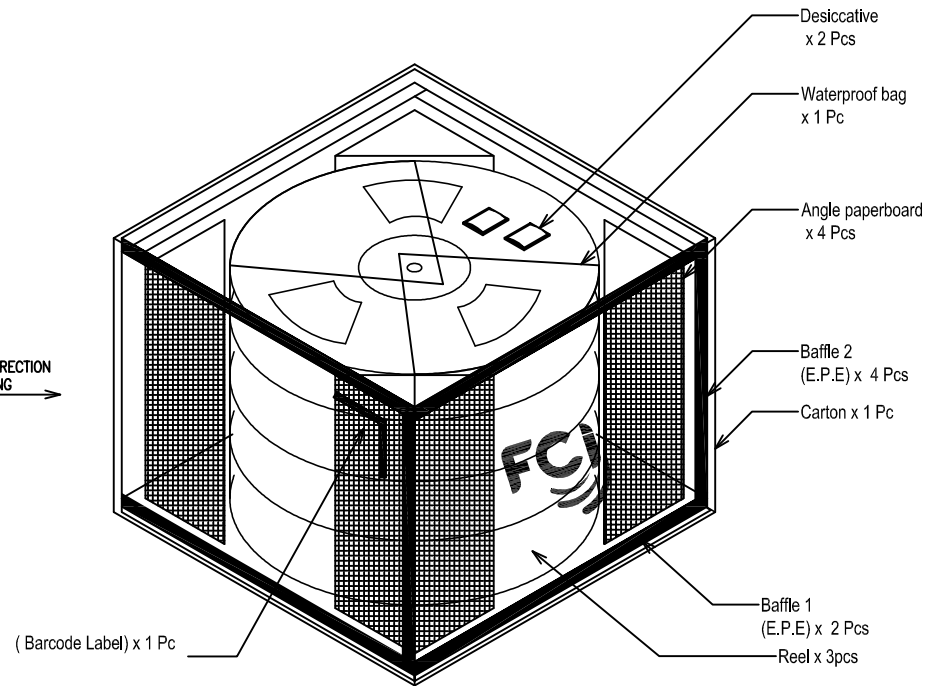
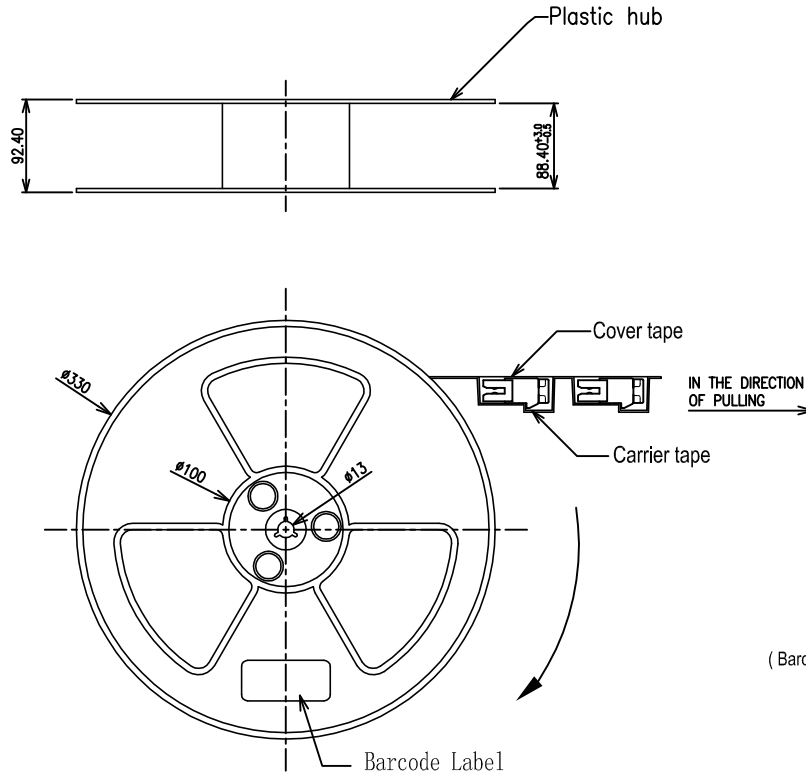
cage code

NOTE:

1. REEL MATERIAL : PS, BLACK
2. CARRIER MATERIAL : PS
3. COVER TAPE MATERIAL : PS
4. COVER TAPE REEL STRENGTH : 13"
5. QUANTITY : 150 PCS/REEL
6. Carton : 380(L) * 380(W) * 300(H) mm

Part No
10025026-XXXX(LF)

NO. OF CONTACTS	98
REEL/CARTON	3
PCS/REEL	150
QUANTITY(PCS)	450



Tous droits strictement reserves. Reproduction ou communication a des tiers interdite sous quelque forme que ce soit sans autorisation ecrite du proprietaire. Propriete de c FCI. Droits de reproduction FCI.



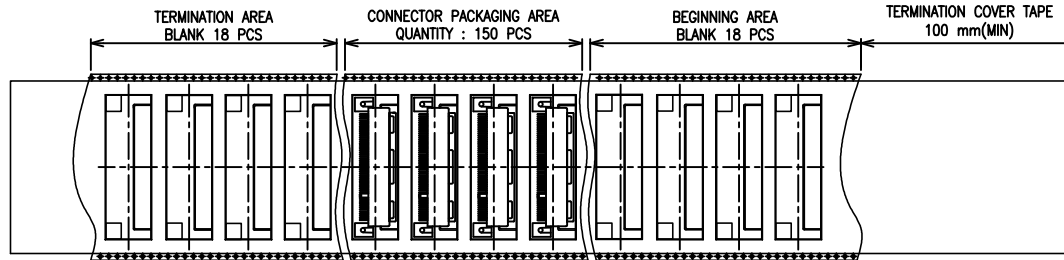
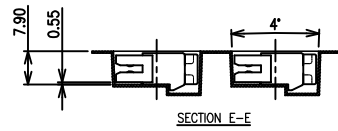
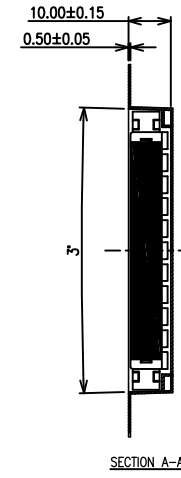
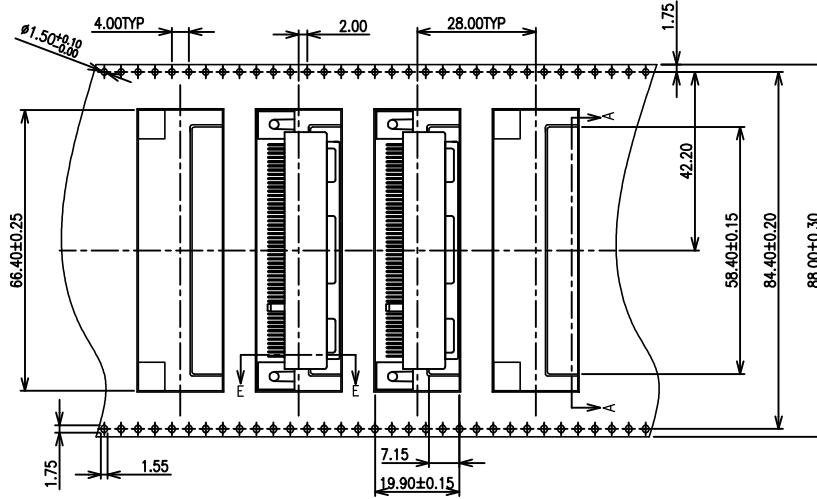
All rights strictly reserved. Reproduction or issue to third parties in any form whatever is not permitted without written authority from the proprietor. Property of FCI. Copyright FCI.

mat'l. code				tolerances unless otherwise specified			CUSTOMER COPY	 www.fciconnect.com	
ltr	ecn no	dr	date	linear	.X ± 0.38		projection	 title PCI EXPRESS STRADDLE MOUNT CARD EDGE ASSY	
J					.XX ± 0.25				
					.XXX ± 0.10				
				angles	0° ±2'		 MM	product family PCI code TWN size dwg no 10025026 sheet 6 of	
				dr	MAGGIE WU	03/13/03			
				enr	RY LIU	03/13/03			
				chr	RY LIU	03/13/03			
				appd	RY LIU	03/13/03			
sheet index	revision sheet						scale	N/A	

Tous droits strictement reserves. Reproduction ou communication a des tiers interdite sous quelque forme que ce soit sans autorisation ecrite du proprietaire. Propriete de c FCI. Droits de reproduction FCI.



All rights strictly reserved. Reproduction or issue to third parties in any form whatever is not permitted without written authority from the proprietor. Property of FCI. Copyright FCI.



mat'l. code				tolerances unless otherwise specified			CUSTOMER COPY		FCI www.fciconnect.com		
ltr	ecn no	dr	date	linear	.X ± 0.38		projection 	title PCI EXPRESS STRADDLE MOUNT CARD EDGE ASSY			
J					.XX ± 0.25						
					.XXX ± 0.10						
				angles	0° ±2°		MM 	product family PCI		code TWN	
				dr	MAGGIE WU	03/13/03		size dwg no		sheet 7 of	
				enr	RY LIU	03/13/03		A4 10025026			
				chr	RY LIU	03/13/03	scale N/A				
				appd	RY LIU	03/13/03					
sheet index	revision sheet										

cage code
22526