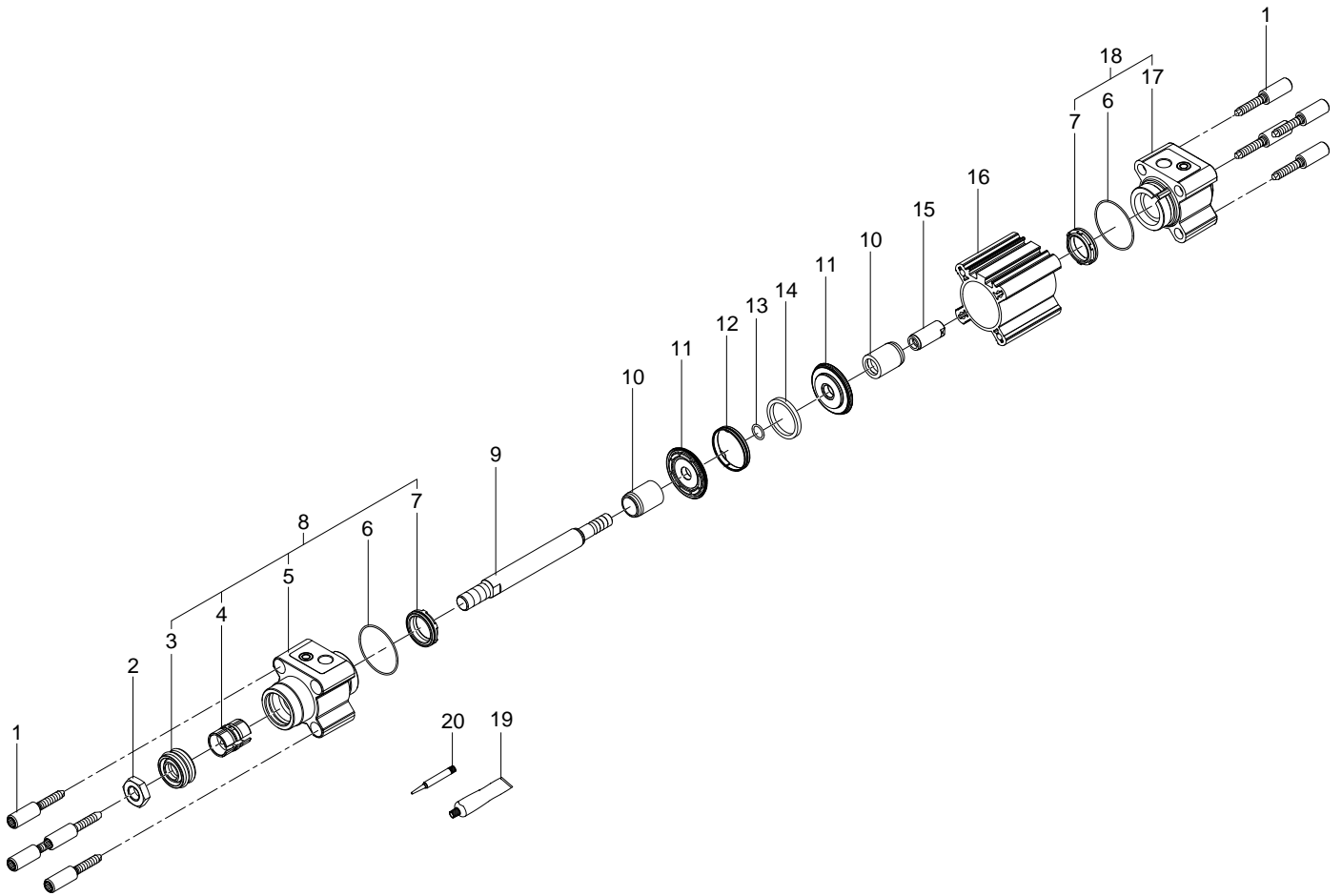


1384811 DSBC-100-200-PPVA-N3 standards-based cylinder - Series: All



1384811 DSBC-100-200-PPVA-N3 standards-based cylinder - Series: All

Pos.	Part no.	Type	Note	Qty.	Unit
A	753093	DSBC/G-100- - Set of wearing parts	Spare parts: 3, 6, 7, 11, 12, 13, 19, 20 Replacing the wearing parts	1	PC
1	362534	DNC-80/100 flange screw	Tightening torque 25 Nm / 18.4 lbf ft Use locking compound. See position 20	8	PC
2	200198	DIN 439-B-M20X1,5-04 Hex nut		1	PC
3	232938	WIFC2-25X35X11,2-TPE-U Wiper seal	Grease using during assembly. See position 19	1	PC
4	5211165	DSBX-80/100 Bearing	Grease using during assembly. See position 19	1	PC
5		DSBC/G-100-PPV:CO Bearing cap	Not available separately, see position 8	1	PC
6		B-100X1,5-N-NBR70 O-ring ISO3601	Not available separately, see position A Grease using during assembly. See position 19	2	PC
7		DIFC1-30X40X7,8-TPE-U Buffer seal	Not available separately, see position 8+18+999 Grease using during assembly. See position 19	2	PC
8	1265314	DSBC/G-100-PPV Bearing cap module		1	PC
9	753086	DSBC-100- -ET Piston rod	When ordering please specify the configuration (see type plate)	1	PC
10	332090	80/100 PPV Buffer sleeve		2	PC
11		BA-K01D-100-02 Piston module	Not available separately, see position A	2	PC
12		BA-K01F-100 Guiding band	Not available separately, see position A	1	PC
13		B-14X1,5-N-NBR75 O-ring ISO3601	Not available separately, see position A Grease using during assembly. See position 19	1	PC
14	4760183	96,8X85,3X4,9BA-K01M-100 Ring magnet		1	PC
15	711418	M14-D80/100 Threaded coupling	Tightening torque 60 Nm / 44.3 lbf ft Use locking compound. See position 20	1	PC
16		DSBC-100- Cylinder barrel	Not available Grease using during assembly. See position 19	1	PC
17		DSBC/G-100-PPV:CO End cap	Not available separately, see position 18	1	PC
18	1297509	DSBC/G-100-PPV End cap module		1	PC
19	684474	LUB-KC1 SILIKONFREI 20ML Lubricating grease		1	PC
20	8181256	CYBERBOND TM44 TB1ML Adhesive bonding agent		1	PC