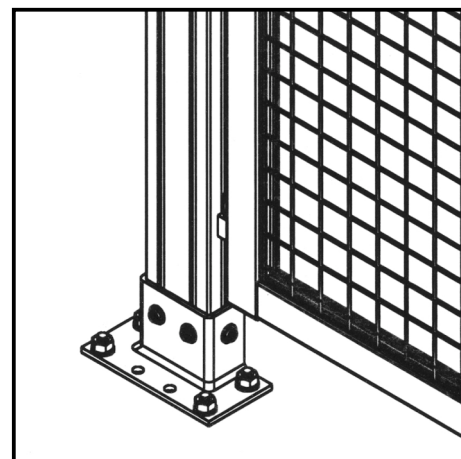
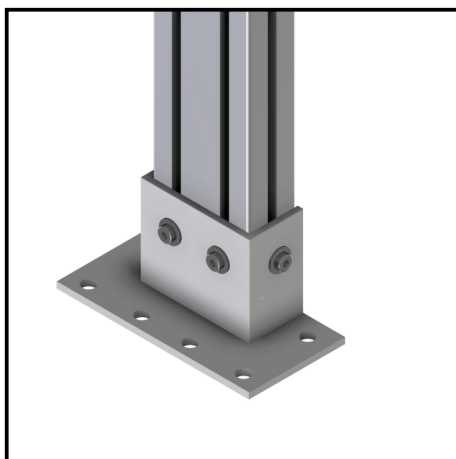
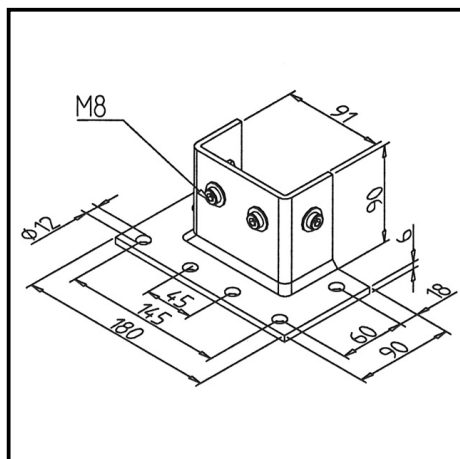


## FOOT 90 S

Article Nr. 21.1707/0

[See the product on the website →](#)

[Download CAD Files →](#)



### TECHN. DATA / ITEMS SUPPLIED

- Steel, galvanized
- With galvanized steel fastening material, for profile
- Weight = 1.438 kg/piece

### APPLICATIONS

- Fitting for profiles with maximum dimension of 45 x 90, 90 x 90 and 90 x 180
- Floor fastening of guard units, signboards, racks
- As connection element for wall attachment; can be used both-sided

### ASSEMBLY

- Insert the square nut with spring steel sheet into the profile groove; preassemble the screws
- Fix the foot on the floor or the wall; use the floor anchors or the universal plugs with a hexagonal head screw
- Tighten fastening screws