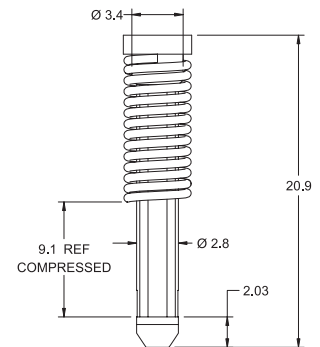
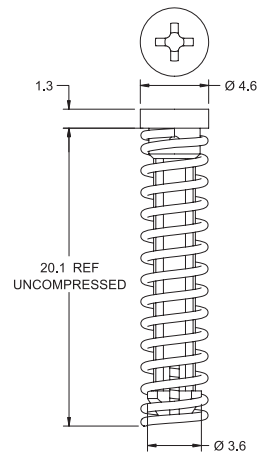
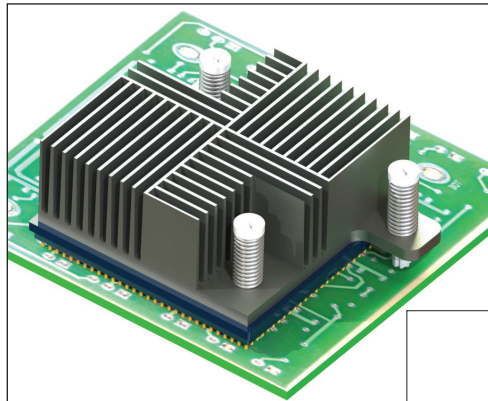




HSR-2 - Heat Sink Rivet

11/2011-1



PRODUCT DATA:

Standard Pack: 1000/bag				
Part No.	Heat Sink Hole Ø	PCB Hole Ø	Rivet Material Color: Natural	Spring Material
HSR-2	3.05 - 3.5	3.1	UL94 V-2 Nylon 6/6, RMS-47	Stainles Steel RMS-381

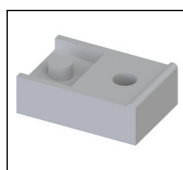
FEATURES & BENEFITS:

- Rivet fastens heat sink to a processor chip and PCB
- Spring maintains constant uniform pressure to ensure reliable thermal contact
- Rivet is easily pushed into the application by hand
- Driving a screwdriver into the cross in the top of the rivet can ease installation in tight areas
- Cost effective and more reliable alternate to brass push pins

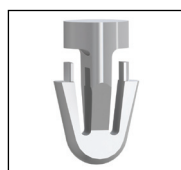
OTHER RICHCO SOLUTIONS:



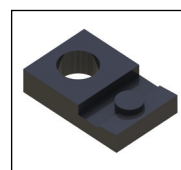
HSR-1
Heat Sink
Rivet



HTRTC
High Temp
Transistor Cover



SLPA
Snap Lock Pin
Arrowhead



IEC
Transistor
Insulator