

Voltage selector switch, 6 stages, step switch, panel mounting



Description

- Voltage Selector, 6 stages
- Step switch
- Solder terminals

Standards

- IEC 61058-2-5
- UL 508
- CSA C22.2 no. 14

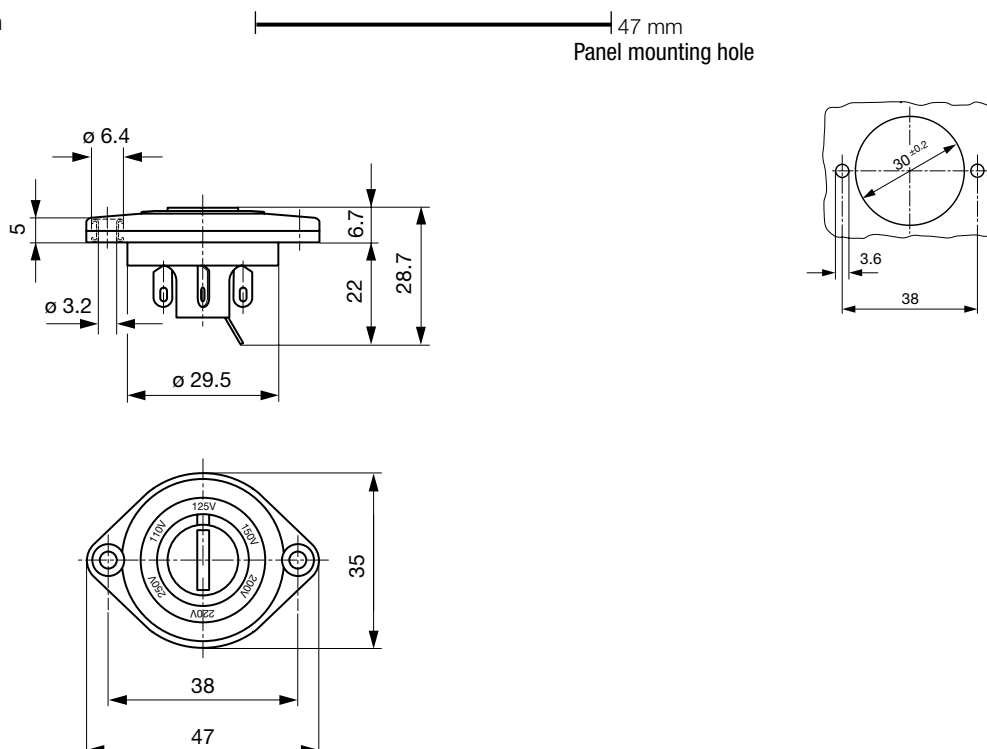
Weblinks

[pdf-datasheet](#), [html-datasheet](#), [General Product Information](#), [Approvals](#), [CE declaration of conformity](#), [RoHS](#), [CHINA-RoHS](#), [REACH](#), [e-Shop](#), [SCHURTER-Stock-Check](#), [Distributor-Stock-Check](#), [CAD-Drawings](#), [Detailed request for product](#)

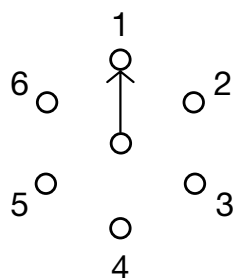
Technical Data

Ratings	IEC: 6.3 A / 250 VAC; 50 Hz	Solderability	350 °C / 2 sec acc. to IEC 60068-2-20, Test Ta, method 2
	UL: 10 A / 250 VAC; 60 Hz		
	CSA: 8 A / 250 VAC; 60 Hz		
Mounting	Panel Mount from front side	Resistance to Soldering Heat	350 °C / 10 sec acc. to IEC 60068-2-20, Test Tb, method 2
Fastening	Screw-on mounting	Insulation Resistance	> 10'000MΩ (500VDC; 1min)
Terminal	Solder	Contact Resistance	< 10 mΩ at 20 mV
Number of Stages	6	Dielectric Strength	> 2.5kVAC between L-N > 4kVAC between L/N-PE (1min; 50Hz)
Lifetime	300 operating cycles (without load)	Clearance and Creepage Distance	> 5mm > 8mm between L/N-PE
Degree of Protection	IP 40	Resistance to Vibration	acc. to IEC 60068-2-6, test Fc
Allowable Operation Temp.	-40 °C to 85 °C		
Climatic Category	25/85/21 acc. to IEC 60068-1		
Material: Socket	Thermoplastic, black, UL 94V-0		
Weight	16.5 g		

Dimension



Diagrams



All Variants

Letterings						Order Number
Stage 1	Stage 2	Stage 3	Stage 4	Stage 5	Stage 6	
110 V	125 V	145 V	160 V	220 V	250 V	0033.1101
						0033.1104
100 V	115 V	127 V		220 V	240 V	0033.1108
100 V	115 V	120 V	220 V	240 V		0033.1109
100 V	115 V	200 V	220 V	230 V	240 V	0033.1110
100 V	115 V	125 V	200 V	220 V	240 V	0033.1113
	100 V	115 V	220 V	240 V		0033.1118
100 V	110 V	120 V	200 V	220 V	240 V	0033.1119
100 V	110 V	220 V	240 V			0033.1120
110 V	115 V	130 V	200 V	230 V		0033.1125
100 V	120 V	200 V	220 V	230 V	240 V	0033.1127
100 V	110 V	120 V	127 V	220 V	240 V	0033.1128
100 V	110 V	120 V	125 V	230 V	240 V	0033.1130
4 Ω	8 Ω	16 Ω				0033.1133
110 V	220 V	230 V				0033.1134
100	120	200	230	0	0	0033.1135
100	120	200	208	230	0	0033.1136
100	115	230	240			0033.1137
1	2	3	4	5	0	0033.1140

Most Popular.

Availability for all products can be searched real-time: <http://www.schurter.com/en/Stock-Check/Stock-Check-SCHURTER>

Packaging Unit 25 Pcs