

Features

- ◆ 128K x 8 advanced high-speed CMOS static RAM
- ◆ Commercial (0°C to +70°C), Industrial (-40°C to +85°C)
- ◆ Equal access and cycle times  
— *Commercial and Industrial: 12/15/20ns*
- ◆ Two Chip Selects plus one Output Enable pin
- ◆ Bidirectional inputs and outputs directly TTL-compatible
- ◆ Low power consumption via chip deselect
- ◆ Available in 300 and 400 mil Plastic SOJ.
- ◆ Industrial temperature range (-40°C to +85°C) is available for selected speeds
- ◆ Green parts available, see ordering information

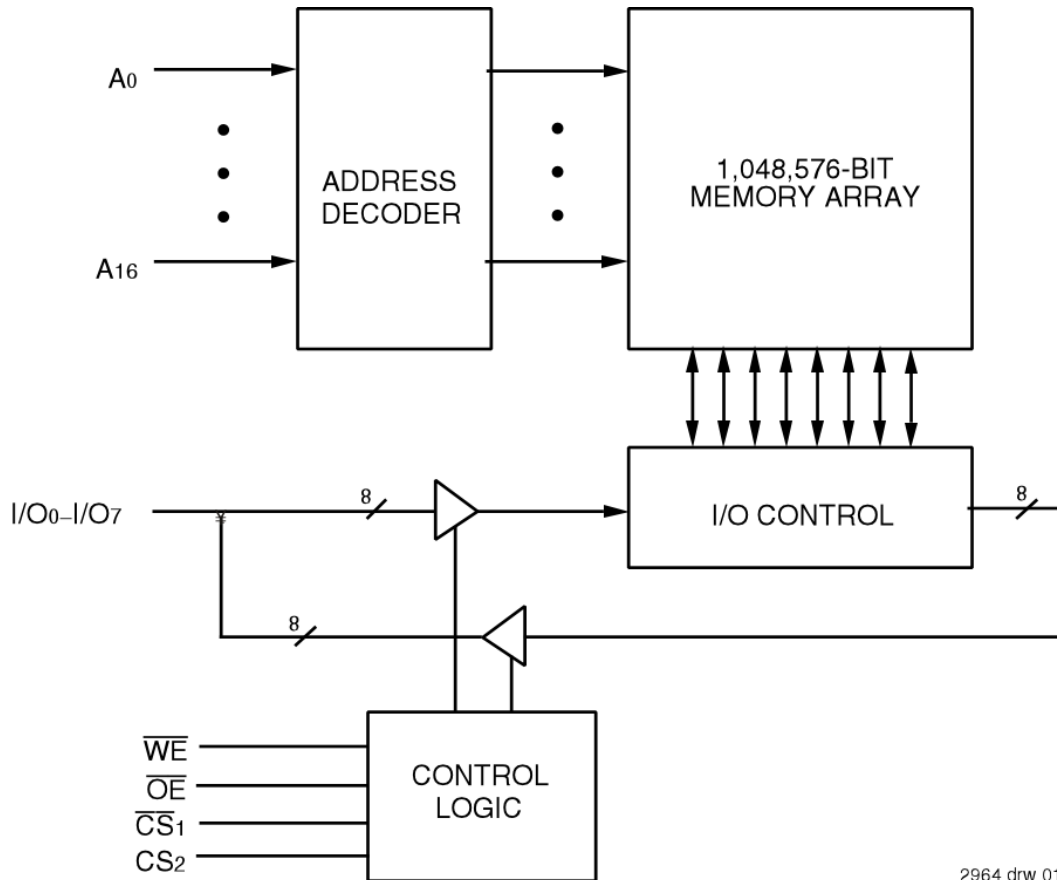
Description

The IDT71024 is a 1,048,576-bit high-speed static RAM organized as 128K x 8. It is fabricated using high-performance, high-reliability CMOS technology. This state-of-the-art technology, combined with innovative circuit design techniques, provides a cost-effective solution for high-speed memory needs.

The IDT71024 has an output enable pin which operates as fast as 6ns, with address access times as fast as 12ns available. All bidirectional inputs and outputs of the IDT71024 are TTL-compatible, and operation is from a single 5V supply. Fully static asynchronous circuitry is used; no clocks or refreshes are required for operation.

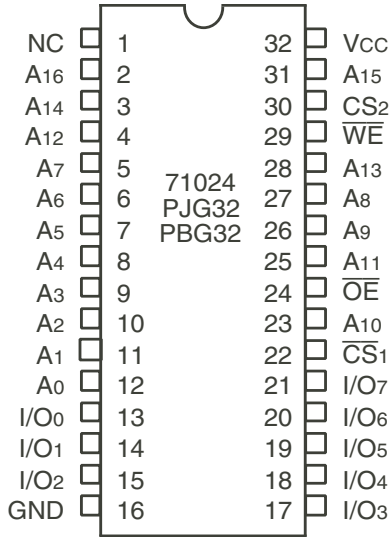
The IDT71024 is packaged in 32-pin 300 mil Plastic SOJ and 32-pin 400 mil Plastic SOJ.

Functional Block Diagram



2964 drw 01

### Pin Configuration<sup>(1)</sup>



SOJ  
Top View

2964 drw 02

**NOTE:**

1. This text does not indicate orientation of actual part-marking.

### Truth Table<sup>(1,3)</sup>

| Inputs          |                  |                |                 | I/O     | Function                    |
|-----------------|------------------|----------------|-----------------|---------|-----------------------------|
| $\overline{WE}$ | $\overline{CS1}$ | $CS2$          | $\overline{OE}$ |         |                             |
| X               | H                | X              | X               | High-Z  | Deselected – Standby (ISB)  |
| X               | $V_{HC}^{(2)}$   | X              | X               | High-Z  | Deselected – Standby (ISB1) |
| X               | X                | L              | X               | High-Z  | Deselected – Standby (ISB)  |
| X               | X                | $V_{LC}^{(2)}$ | X               | High-Z  | Deselected – Standby (ISB1) |
| H               | L                | H              | H               | High-Z  | Outputs Disabled            |
| H               | L                | H              | L               | DATAOUT | Read Data                   |
| L               | L                | H              | X               | DATAIN  | Write Data                  |

2964 tbl 01

**NOTES:**

1. H =  $V_{IH}$ , L =  $V_{IL}$ , X = Don't care.
2.  $V_{LC} = 0.2V$ ,  $V_{HC} = V_{CC} - 0.2V$ .
3. Other inputs  $\geq V_{HC}$  or  $\leq V_{LC}$ .

### Absolute Maximum Ratings<sup>(1)</sup>

| Symbol           | Rating                               | Value        | Unit |
|------------------|--------------------------------------|--------------|------|
| $V_{TERM}^{(2)}$ | Terminal Voltage with Respect to GND | -0.5 to +7.0 | V    |
| TBIAS            | Temperature Under Bias               | -55 to +125  | °C   |
| TSTG             | Storage Temperature                  | -55 to +125  | °C   |
| P <sub>T</sub>   | Power Dissipation                    | 1.25         | W    |
| I <sub>OUT</sub> | DC Output Current                    | 50           | mA   |

2964 tbl 02

**NOTES:**

1. Stresses greater than those listed under ABSOLUTE MAXIMUM RATINGS may cause permanent damage to the device. This is a stress rating only and functional operation of the device at these or any other conditions above those indicated in the operational sections of this specification is not implied. Exposure to absolute maximum rating conditions for extended periods may affect reliability.
2.  $V_{TERM}$  must not exceed  $V_{CC} + 0.5V$ .

### Capacitance

(TA = +25°C, f = 1.0MHz, SOJ package)

| Symbol           | Parameter <sup>(1)</sup> | Conditions      | Max. | Unit |
|------------------|--------------------------|-----------------|------|------|
| C <sub>IN</sub>  | Input Capacitance        | $V_{IN} = 3dV$  | 7    | pF   |
| C <sub>I/O</sub> | I/O Capacitance          | $V_{OUT} = 3dV$ | 8    | pF   |

2964 tbl 03

**NOTE:**

1. This parameter is guaranteed by device characterization, but is not production tested.

### Recommended DC Operating Conditions

| Symbol          | Parameter          | Min.                | Typ. | Max.           | Unit |
|-----------------|--------------------|---------------------|------|----------------|------|
| V <sub>CC</sub> | Supply Voltage     | 4.5                 | 5.0  | 5.5            | V    |
| GND             | Ground             | 0                   | 0    | 0              | V    |
| V <sub>IH</sub> | Input High Voltage | 2.2                 | —    | $V_{CC} + 0.5$ | V    |
| V <sub>IL</sub> | Input Low Voltage  | -0.5 <sup>(1)</sup> | —    | 0.8            | V    |

2964 tbl 04

**NOTE:**

1.  $V_{IL}$  (min.) = -1.5V for pulse width less than 10ns, once per cycle.

### Recommended Operating Temperature and Supply Voltage

| Grade      | Temperature    | GND | V <sub>CC</sub> |
|------------|----------------|-----|-----------------|
| Commercial | 0°C to +70°C   | 0V  | 5.0V ± 0.5V     |
| Industrial | -40°C to +85°C | 0V  | 5.0V ± 0.5V     |

2964 tbl 05

DC Electrical Characteristics  
(V<sub>CC</sub> = 5.0V ± 10%, Commercial and Industrial Temperature Ranges)

| Symbol          | Parameter              | Test Condition   | IDT71024 |      | Unit |
|-----------------|------------------------|--|----------|------|------|
|                 |                        |  | Min.     | Max. |      |
| I <sub>LI</sub> | Input Leakage Current  | V <sub>CC</sub> = Max., V <sub>IN</sub> = GND to V <sub>CC</sub>                               | —        | 5    | μA   |
| I <sub>LO</sub> | Output Leakage Current | V <sub>CC</sub> = Max., $\overline{CS}_1 = V_{IH}$ , V <sub>OUT</sub> = GND to V <sub>CC</sub> | —        | 5    | μA   |
| V <sub>OL</sub> | Output Low Voltage     | I <sub>OL</sub> = 8mA, V <sub>CC</sub> = Min.  | —        | 0.4  | V    |
| V <sub>OH</sub> | Output High Voltage    | I <sub>OH</sub> = -4mA, V <sub>CC</sub> = Min.   | 2.4      | —    | V    |

2964 tbl 06

DC Electrical Characteristics<sup>(1)</sup>  
(V<sub>CC</sub> = 5.0V ± 10%, V<sub>LC</sub> = 0.2V, V<sub>HC</sub> = V<sub>CC</sub> - 0.2V)

| Symbol           | Parameters   | 71024S12 |      | 71024S15 |      | 71024S20 |      | Unit |
|------------------|--|----------|------|----------|------|----------|------|------|
|                  |  | Com'l.   | Ind. | Com'l.   | Ind. | Com'l.   | Ind. |      |
| I <sub>CC</sub>  | Dynamic Operating Current, CS <sub>2</sub> ≥ V <sub>IH</sub> and $\overline{CS}_1 \leq V_{IL}$ , Outputs Open, V <sub>CC</sub> = Max., f = f <sub>MAX</sub> <sup>(2)</sup>   | 160      | 160  | 155      | 155  | 140      | 140  | mA   |
| I <sub>SB</sub>  | Standby Power Supply Current (TTL Level) CS <sub>1</sub> ≥ V <sub>IH</sub> or CS <sub>2</sub> ≤ V <sub>IL</sub> , Outputs Open, V <sub>CC</sub> = Max., f = f <sub>MAX</sub> <sup>(2)</sup>  | 40       | 40   | 40       | 40   | 40       | 40   | mA   |
| I <sub>SB1</sub> | Full Standby Power Supply Current (CMOS Level), $\overline{CS}_1 \geq V_{HC}$ or CS <sub>2</sub> ≤ V <sub>LC</sub> , Outputs Open, V <sub>CC</sub> = Max., f = 0 <sup>(2)</sup> , V <sub>IN</sub> ≤ V <sub>LC</sub> or V <sub>IN</sub> ≥ V <sub>HC</sub> | 10       | 10   | 10       | 10   | 10       | 10   | mA   |

2964 tbl 07

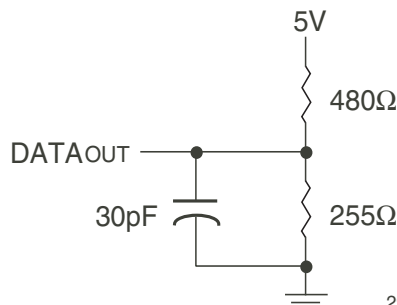
NOTES:

- All values are maximum guaranteed values.
- f<sub>MAX</sub> = 1/trc (all address inputs are cycling at f<sub>MAX</sub>); f = 0 means no address input lines are changing.

AC Test Conditions

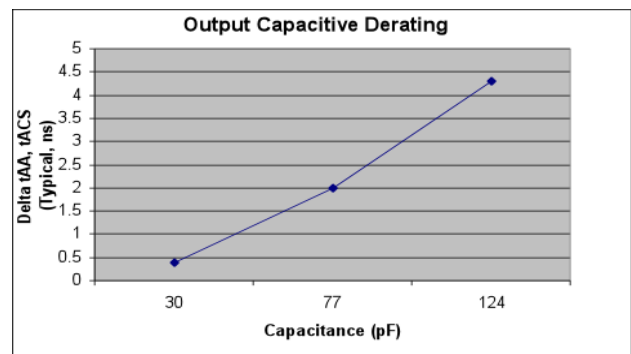
|                               |                     |
|-------------------------------|---------------------|
| Input Pulse Levels            | GND to 3.0V         |
| Input Rise/Fall Times         | 3ns                 |
| Input Timing Reference Levels | 1.5V                |
| Output Reference Levels       | 1.5V                |
| AC Test Load                  | See Figures 1 and 2 |

2964 tbl 08

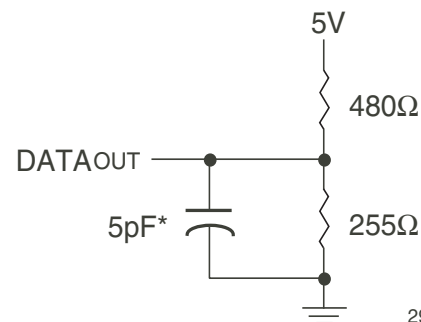


2964 drw 03

Figure 1. AC Test Load



2964 drw03a



2964 drw 04

\*Including jig and scope capacitance.

Figure 2. AC Test Load  
(for t<sub>CLZ</sub>, t<sub>OLZ</sub>, t<sub>CHZ</sub>, t<sub>OHZ</sub>, t<sub>OW</sub>, and t<sub>WHZ</sub>)

## AC Electrical Characteristics

(V<sub>CC</sub> = 5.0V ± 10%, Commercial and Industrial Temperature Ranges)

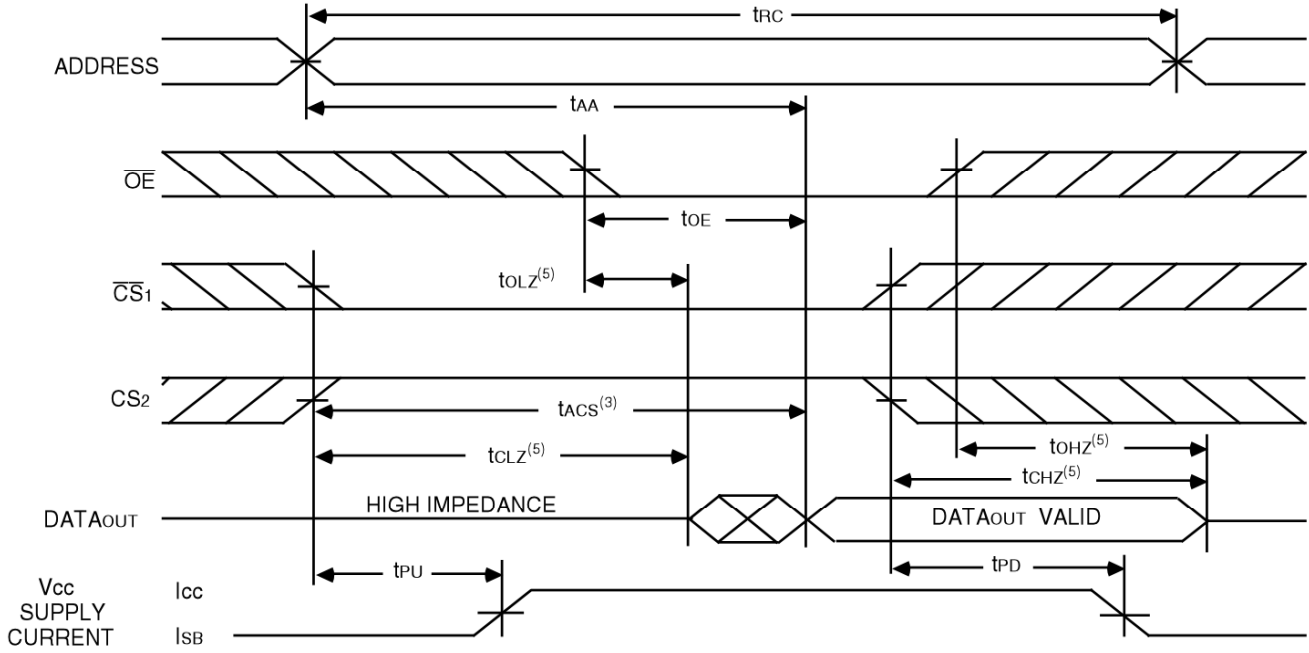
| Symbol                          | Parameter                          | 71024S12 |      | 71024S15 |      | 71024S20 |      | Unit |
|---------------------------------|------------------------------------|----------|------|----------|------|----------|------|------|
|                                 |                                    | Min.     | Max. | Min.     | Max. | Min.     | Max. |      |
| <b>Read Cycle</b>               |                                    |          |      |          |      |          |      |      |
| t <sub>RC</sub>                 | Read Cycle Time                    | 12       | —    | 15       | —    | 20       | —    | ns   |
| t <sub>AA</sub>                 | Address Access Time                | —        | 12   | —        | 15   | —        | 20   | ns   |
| t <sub>ACS</sub>                | Chip Select Access Time            | —        | 12   | —        | 15   | —        | 20   | ns   |
| t <sub>CLZ</sub> <sup>(1)</sup> | Chip Select to Output in Low-Z     | 3        | —    | 3        | —    | 3        | —    | ns   |
| t <sub>CHZ</sub> <sup>(1)</sup> | Chip Deselect to Output in High-Z  | 0        | 6    | 0        | 7    | 0        | 8    | ns   |
| t <sub>OE</sub>                 | Output Enable to Output Valid      | —        | 6    | —        | 7    | —        | 8    | ns   |
| t <sub>OLZ</sub> <sup>(1)</sup> | Output Enable to Output in Low-Z   | 0        | —    | 0        | —    | 0        | —    | ns   |
| t <sub>OHZ</sub> <sup>(1)</sup> | Output Disable to Output in High-Z | 0        | 5    | 0        | 5    | 0        | 7    | ns   |
| t <sub>OH</sub>                 | Output Hold from Address Change    | 4        | —    | 4        | —    | 4        | —    | ns   |
| t <sub>PU</sub> <sup>(1)</sup>  | Chip Select to Power-Up Time       | 0        | —    | 0        | —    | 0        | —    | ns   |
| t <sub>PD</sub> <sup>(1)</sup>  | Chip Deselect to Power-Down Time   | —        | 12   | —        | 15   | —        | 20   | ns   |
| <b>Write Cycle</b>              |                                    |          |      |          |      |          |      |      |
| t <sub>WC</sub>                 | Write Cycle Time                   | 12       | —    | 15       | —    | 20       | —    | ns   |
| t <sub>AW</sub>                 | Address Valid to End-of-Write      | 10       | —    | 12       | —    | 15       | —    | ns   |
| t <sub>CW</sub>                 | Chip Select to End-of-Write        | 10       | —    | 12       | —    | 15       | —    | ns   |
| t <sub>AS</sub>                 | Address Set-Up Time                | 0        | —    | 0        | —    | 0        | —    | ns   |
| t <sub>WP</sub>                 | Write Pulse Width                  | 8        | —    | 12       | —    | 15       | —    | ns   |
| t <sub>WR</sub>                 | Write Recovery Time                | 0        | —    | 0        | —    | 0        | —    | ns   |
| t <sub>DW</sub>                 | Data Valid to End-of-Write         | 7        | —    | 8        | —    | 9        | —    | ns   |
| t <sub>DH</sub>                 | Data Hold Time                     | 0        | —    | 0        | —    | 0        | —    | ns   |
| t <sub>OW</sub> <sup>(1)</sup>  | Output Active from End-of-Write    | 3        | —    | 3        | —    | 4        | —    | ns   |
| t <sub>WHZ</sub> <sup>(1)</sup> | Write Enable to Output in High-Z   | 0        | 5    | 0        | 5    | 0        | 8    | ns   |

**NOTE:**

1. This parameter guaranteed with the AC load (Figure 2) by device characterization, but is not production tested.

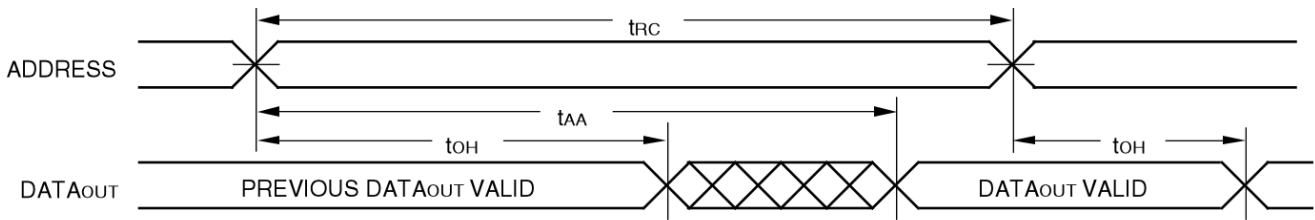
2964 tbl 09

### Timing Waveform of Read Cycle No. 1<sup>(1)</sup>



2964 drw 05

### Timing Waveform of Read Cycle No. 2<sup>(1,2,4)</sup>

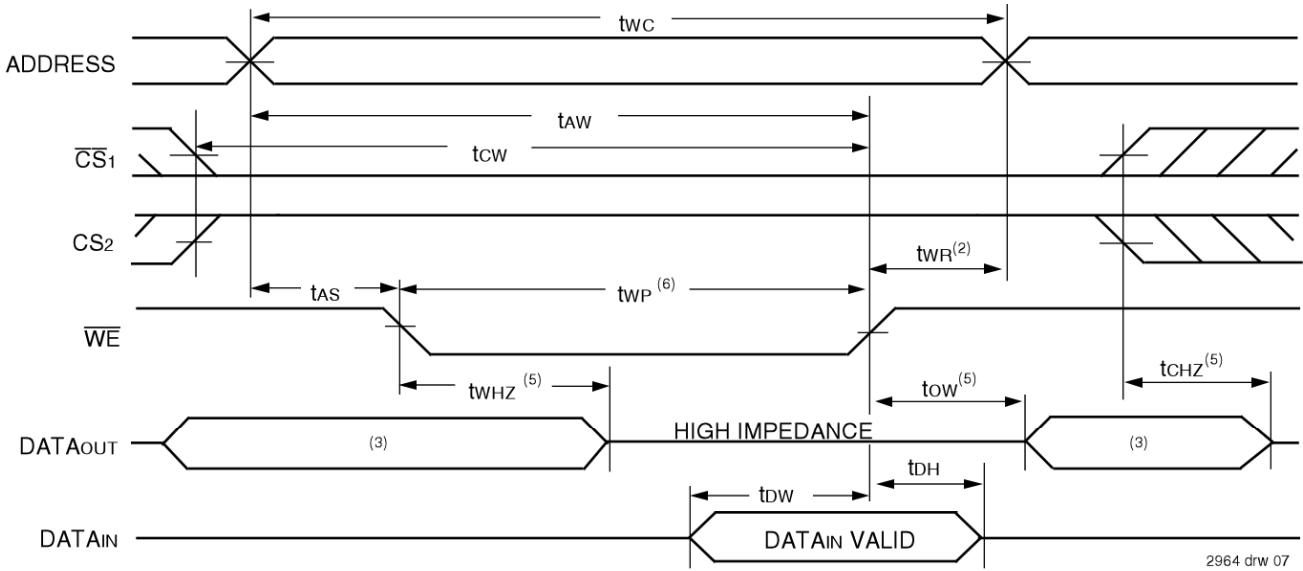


2964 drw 06

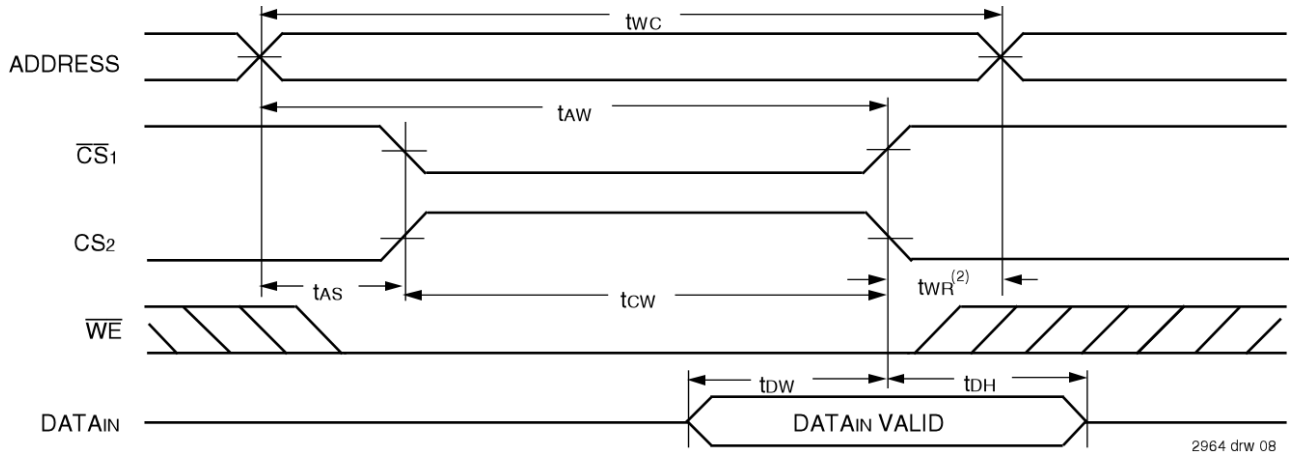
**NOTES:**

1.  $\overline{WE}$  is HIGH for Read Cycle.
2. Device is continuously selected,  $\overline{CS1}$  is LOW,  $CS2$  is HIGH.
3. Address must be valid prior to or coincident with the later of  $\overline{CS1}$  transition LOW and  $CS2$  transition HIGH; otherwise  $t_{AA}$  is the limiting parameter.
4.  $\overline{OE}$  is LOW.
5. Transition is measured  $\pm 200\text{mV}$  from steady state.

### Timing Waveform of Write Cycle No. 1 ( $\overline{WE}$ Controlled Timing)<sup>(1,4,6)</sup>



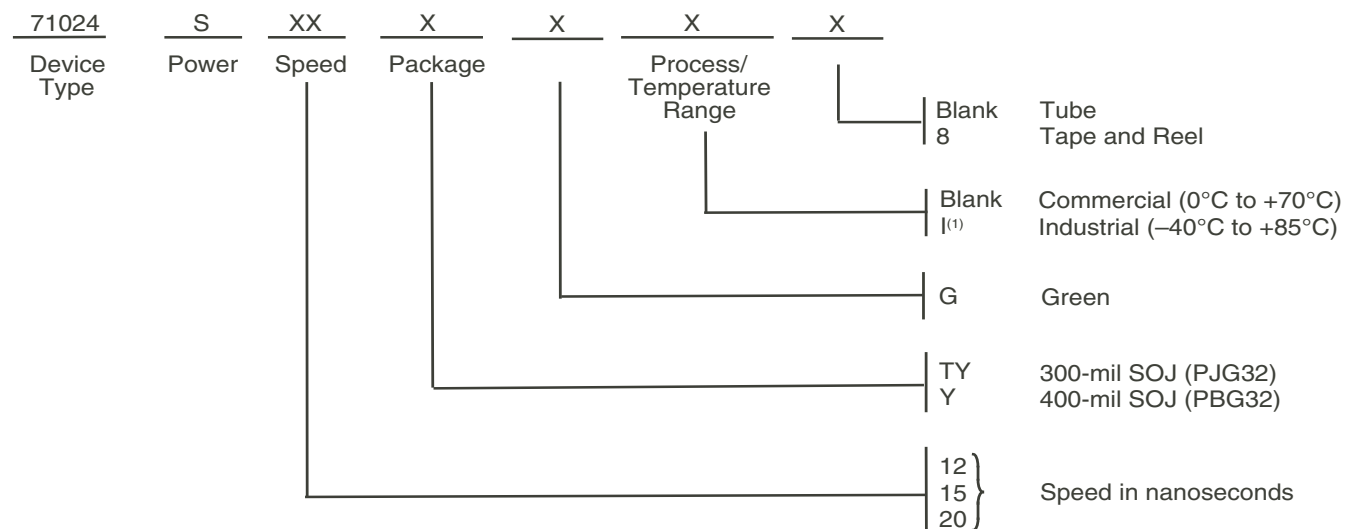
### Timing Waveform of Write Cycle No. 2 ( $\overline{CS1}$ AND CS2 Controlled Timing)<sup>(1,4)</sup>



**NOTES:**

1. A write occurs during the overlap of a LOW  $\overline{CS1}$ , HIGH CS2, and a LOW  $\overline{WE}$ .
2. twr is measured from the earlier of either  $\overline{CS1}$  or  $\overline{WE}$  going HIGH or CS2 going LOW to the end of the write cycle.
3. During this period, I/O pins are in the output state, and input signals must not be applied.
4. If the  $\overline{CS1}$  LOW transition or the CS2 HIGH transition occurs simultaneously with or after the  $\overline{WE}$  LOW transition, the outputs remain in a high impedance state.  $\overline{CS1}$  and CS2 must both be active during the tcw write period.
5. Transition is measured  $\pm 200\text{mV}$  from steady state.
6.  $\overline{OE}$  is continuously HIGH. During a  $\overline{WE}$  controlled write cycle with  $\overline{OE}$  LOW, twp must be greater than or equal to twhz + tdw to allow the I/O drivers to turn off and data to be placed on the bus for the required tow. If  $\overline{OE}$  is HIGH during a  $\overline{WE}$  controlled write cycle, this requirement does not apply and the minimum write pulse is the specified twp.

## Ordering Information



**NOTE:**

1. Contact your local sales office for Industrial temp range for other speeds, packages and powers.

2964 drw 09

## Orderable Part Information

| Speed (ns) | Orderable Part ID | Pkg. Code | Pkg. Type | Temp. Grade |
|------------|-------------------|-----------|-----------|-------------|
| 12         | 71024S12TYG       | PJG32     | SOJ       | C           |
|            | 71024S12TYG8      | PJG32     | SOJ       | C           |
|            | 71024S12TYGI      | PJG32     | SOJ       | I           |
|            | 71024S12TYG8I     | PJG32     | SOJ       | I           |
|            | 71024S12YG        | PBG32     | SOJ       | C           |
|            | 71024S12YG8       | PBG32     | SOJ       | C           |
|            | 71024S12YGI       | PBG32     | SOJ       | I           |
|            | 71024S12YG8I      | PBG32     | SOJ       | I           |
| 15         | 71024S15TYG       | PJG32     | SOJ       | C           |
|            | 71024S15TYG8      | PJG32     | SOJ       | C           |
|            | 71024S15TYGI      | PJG32     | SOJ       | I           |
|            | 71024S15TYG8I     | PJG32     | SOJ       | I           |
|            | 71024S15YG        | PBG32     | SOJ       | C           |
|            | 71024S15YG8       | PBG32     | SOJ       | C           |
|            | 71024S15YGI       | PBG32     | SOJ       | I           |
|            | 71024S15YG8I      | PBG32     | SOJ       | I           |
| 20         | 71024S20TYG       | PJG32     | SOJ       | C           |
|            | 71024S20TYG8      | PJG32     | SOJ       | C           |
|            | 71024S20TYGI      | PJG32     | SOJ       | I           |
|            | 71024S20TYG8I     | PJG32     | SOJ       | I           |
|            | 71024S20YG        | PBG32     | SOJ       | C           |
|            | 71024S20YG8       | PBG32     | SOJ       | C           |
|            | 71024S20YGI       | PBG32     | SOJ       | I           |
|            | 71024S20YG8I      | PBG32     | SOJ       | I           |

## Datasheet Document History

|          |                |   |
|----------|----------------|---|
| 9/30/99  |                | Updated to new format   |
|          | Pg. 1, 3, 4, 7 | Added 12ns industrial speed grade offering  |
|          | Pg. 1-4, 7     | Removed military temperature offerings  |
|          |                | Removed 17ns and 25ns speed grades  |
|          | Pg. 3          | Revised Icc and ISB1 for 15ns and 20ns industrial speed grades  |
|          | Pg. 6          | Removed Note 1, reordered notes and footnotes   |
|          | Pg. 8          | Added Datasheet Document History  |
| 1/6/2000 | Pg. 4          | Changed twP(min) for 12ns speed grade from 10ns to 8ns.   |
| 2/18/00  | Pg. 3          | Revised Icc and ISB for Industrial Temperature offerings to meet commercial specifications  |
| 3/14/00  | Pg. 3          | Revised ISB to accommodate speed functionality  |
| 08/09/00 |                | Not recommended for new designs   |
| 02/01/01 |                | Removed "Not recommended for new designs"   |
| 01/30/04 | Pg. 7          | Added "Restricted hazardous substance device" to the ordering information.  |
| 05/22/06 | Pg.3           | Added drawing Output Capacitive Derating drawing.   |
| 02/13/07 | Pg.7           | Added M generation die step to data sheet ordering information.   |
| 08/13/09 | Pg.2           | Corrected note reference.   |
| 02/05/13 | Pg.1           | Removed /MS from datasheet header. Removed IDT's reference to fabrication.  |
|          | Pg.7           | Updated ordering information by adding Tape and Reel, updated Restricted Hazardous Substance Device wording to Green and removed the Die Stepping Revision, the "M" designator. |
| 03/30/21 | Pg.1 & 7       | Updated Industrial temp and green availability  |
|          | Pg.2 & 7       | Updated package codes   |
|          | Pg.7           | Added Orderable Part Information table  |



## IMPORTANT NOTICE AND DISCLAIMER

RENESAS ELECTRONICS CORPORATION AND ITS SUBSIDIARIES (“RENESAS”) PROVIDES TECHNICAL SPECIFICATIONS AND RELIABILITY DATA (INCLUDING DATASHEETS), DESIGN RESOURCES (INCLUDING REFERENCE DESIGNS), APPLICATION OR OTHER DESIGN ADVICE, WEB TOOLS, SAFETY INFORMATION, AND OTHER RESOURCES “AS IS” AND WITH ALL FAULTS, AND DISCLAIMS ALL WARRANTIES, EXPRESS OR IMPLIED, INCLUDING, WITHOUT LIMITATION, ANY IMPLIED WARRANTIES OF MERCHANTABILITY, FITNESS FOR A PARTICULAR PURPOSE, OR NON-INFRINGEMENT OF THIRD PARTY INTELLECTUAL PROPERTY RIGHTS.

These resources are intended for developers skilled in the art designing with Renesas products. You are solely responsible for (1) selecting the appropriate products for your application, (2) designing, validating, and testing your application, and (3) ensuring your application meets applicable standards, and any other safety, security, or other requirements. These resources are subject to change without notice. Renesas grants you permission to use these resources only for development of an application that uses Renesas products. Other reproduction or use of these resources is strictly prohibited. No license is granted to any other Renesas intellectual property or to any third party intellectual property. Renesas disclaims responsibility for, and you will fully indemnify Renesas and its representatives against, any claims, damages, costs, losses, or liabilities arising out of your use of these resources. Renesas' products are provided only subject to Renesas' Terms and Conditions of Sale or other applicable terms agreed to in writing. No use of any Renesas resources expands or otherwise alters any applicable warranties or warranty disclaimers for these products.

(Rev.1.0 Mar 2020)

### Corporate Headquarters

TOYOSU FORESIA, 3-2-24 Toyosu,  
Koto-ku, Tokyo 135-0061, Japan  
[www.renesas.com](http://www.renesas.com)

### Contact Information

For further information on a product, technology, the most up-to-date version of a document, or your nearest sales office, please visit:  
[www.renesas.com/contact/](http://www.renesas.com/contact/)

### Trademarks

Renesas and the Renesas logo are trademarks of Renesas Electronics Corporation. All trademarks and registered trademarks are the property of their respective owners.