



## Power Supply Transformers

The Tempatron power supply transformers are suitable for powering all Tempatron low voltage timers or controllers, from a 110V or 240Vac supply.

Models with a 12Vac or 24Vac secondary are available and can be surface mounted via the two integral mounting holes.

These transformers are resin encapsulated and have a 3VA burden rating enabling them to power other low voltage monitors, alarms or control circuits that require a 12Vac supply.

### Models Available

**TRA12UNI11** 110/12Vac Transformer

**TRA12UNI00** 240/12Vac Transformer

**TRA2400001** 240/24Vac Transformer

### Product Features

- Encapsulated transformers
- 3VA burden rating
- 110Vac or 240Vac input voltage
- 12Vac or 24Vac output voltage
- Ideal for use with 12/24Vac controllers

## Power supply transformers for use with low voltage timers and controllers

### Specification

#### Input Voltage:

- 110Vac
- 240Vac

#### Supply Voltage Variation:

- $\pm 10\%$

#### Burden Rating:

- <3VA

#### Frequency:

- 50/60Hz

#### Output Voltage:

- 12Vac
- 24Vac

#### Output Regulation:

- 13.8Vac (0mA)
- 10Vac (300mA)

#### Enclosure Code:

- IP20

#### Weight:

- 200g

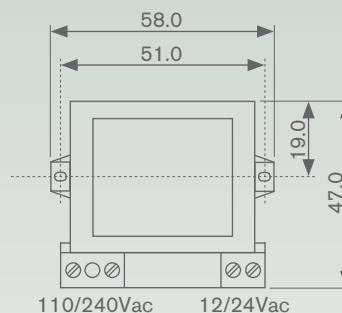
#### Markings:

- CE marked (meets EN61010-1 low voltage and EN50081-1/50082-1 EMC directives)

Specification subject to change without notice.

All dimensions in mm

### Dimensions



All dimensions in mm

### Ordering information

Model	Code	Description
	TRA12UNI11	110/12Vac Power Supply Transformer
	TRA12UNI00	240/12Vac Power Supply Transformer
	TRA2400001	240/24Vac Power Supply Transformer
<b>Example</b>	<b>TRA12UNI00</b>	

Tempatron: Eltime House, Hall Road, Maldon, Essex, CM9 4NF UK.

# TEMPATRON

Tempatron Industrial Controls is a division of Eltime Ltd.

© Eltime Ltd. Tempatron Power Supply Transformers 04/2011