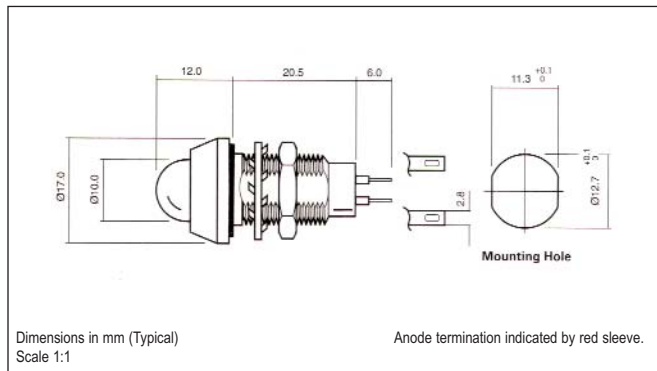


PROFESSIONAL LED INDICATORS - ø 12.7mm Mounting



- Black anodised aluminium housing
- Full internal potting making the product ideal for use in arduous environments
- Excellent wide viewing angle characteristics
- Sealed to IP67



651 SERIES



Ordering Information & Typical Technical Characteristics (Ta = 25°C)

Mean Time Between Failure = 100,000 Hours. Luminous intensity figures refer to the unmodified discrete LED.

PART NUMBER	COLOUR	LENS	VOLTAGE DC Vopr	CURRENT DC Iopr	LUMINOUS INTENSITY Iv@20mA	WAVE LENGTH λp	VIEWING ANGLE	OPERATING TEMP Topr	STORAGE TEMP Tstg
HIGH INTENSITY									
651-102-21	Red	Coloured Diffused	12	20	500	660	Wide	-20 ~ +60	-30 ~ +85
651-102-22	Red		24	20	500	660			
STANDARD INTENSITY									
651-111-21	Yellow	Coloured Diffused	12	20	40	590	Wide	-20 ~ +60	-30 ~ +85
651-111-22	Yellow		24	20	40	590			
651-114-21	Green		12	20	40	565			
651-114-22	Green		24	20	40	565			
UNITS			Vdc	mA	mcd	nm		°C	°C

Please note - This product is also available at 28 and 48Vdc, 110 and 230Vac. Indicators supplied at voltages above 75Vdc must be used with insulated terminations or ordered with flying leads to comply with the Low Voltage Directive. Please contact our Sales Department for further details.

www.leds.co.uk www.marl.co.uk

Telephone +44 (0)1229 582430 • Fax: +44 (0)1229 585155 • Email: sales@leds.co.uk

Marl International Limited • Marl Business Park • Ulverston • Cumbria LA12 9BN • United Kingdom

The information contained in this datasheet does not constitute part of any order or contract and should not be regarded as a representation relating to either products or service. Marl International reserve the right to alter without notice the specification or any conditions of supply for products or service.