



Brand of NTN Group

Technical data

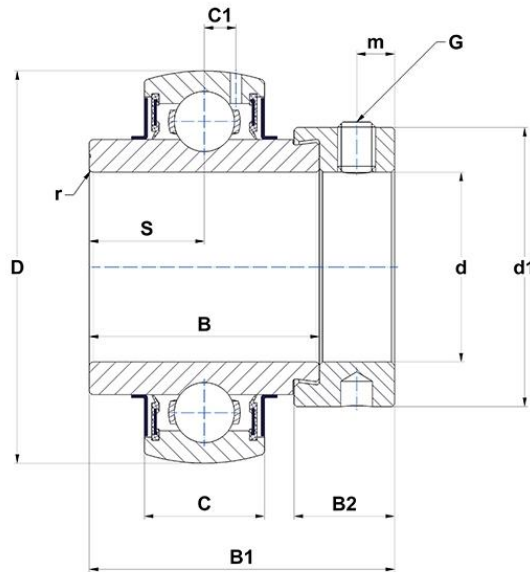
EX308-24G2

Insert bearings



Spherical outer diameter, fixing by eccentric locking collar, seal with slinger

VISUAL (S)



PRODUCT DEFINITION

| | |
|---|---------|
| Brand | SNR |
| B - Width of Inner Ring | 41,3 mm |
| B1 - Overall width Inner Ring | 57,1 mm |
| B2 - Width of eccentric locking collar/nut | 20,6 mm |
| C - Width of Outer Ring | 28 mm |
| C1 - Distance center of OR to center of lubrication zone | 8,5 mm |
| d - Shaft diameter | 38,1 mm |
| d1 - Outer dia of eccent. Lock. collar / nut of adapter sleeve | 63,5 mm |



NTN Europe

1 rue des Usines · BP 2017 · 74010 Annecy Cedex · France · Tel. +33 (0)4 50 65 30 00
 S.A. au capital de 322 639 919 € · RCS ANNECY B 325 821 072 · Id. Fiscale : FR 48 325 821 072
 SIRET 325 821 072 00015 · Code APE 2815 Z · Code NACE 28.15

PRODUCT DEFINITION

| | |
|---|-----------|
| D - Outer diameter of OR | 90 mm |
| G - Set screw size | 3/8-24UNF |
| m - Distance to set screw | 8 mm |
| r - Radius Inner Ring | 2 |
| S - Distance front side/bearing centre | 19,8 mm |
| f0 - Factor | 13.2 |
| SW - Wrench size | 4,763 mm |

PRODUCT PERFORMANCE

| | |
|-----------------------------------|-------------|
| C - Dynamic load rating | 40560000 mN |
| C0 - Static load rating | 24000000 mN |
| Operating temperature min. | 253,15 °K |
| Operating temperature max. | 373,15 °K |

OTHER FEATURES

| | |
|--|----------|
| Mass | 1,13 kg |
| Recommended tightening torque for set screw | 16.8 N-m |

BEARING FREQUENCIES

| | |
|---|----------------------|
| BPFO - Over rolling frequency on outer ring (60 rpm) | 3.0790106870229 Hz |
| BPFI - Over rolling frequency on inner (60 rpm) | 4.9209893129771 Hz |
| BSF - Over rolling frequency on rolling element (60 rpm) | 4.11290838880742 Hz |
| BRF - Rotational frequency - rolling element (60 rpm) | 2.05645419440371 Hz |
| FTF - Rotational frequency - cage (60 rpm) | 0.384876335877863 Hz |

