

Number of contacts

# 48

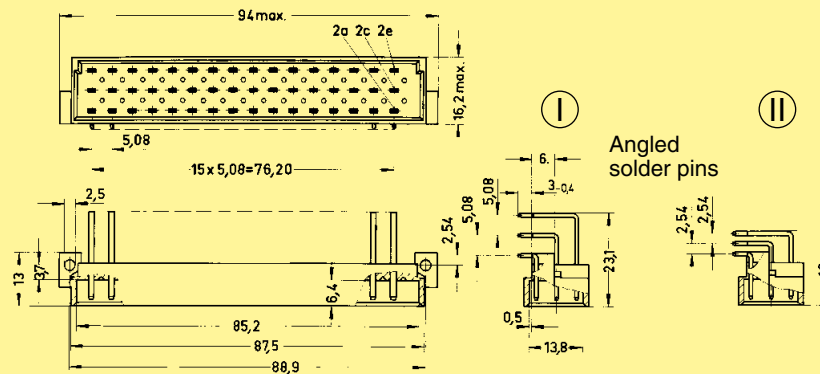


Male connectors

Identification	Number of contacts	Contact arrangement	Part No. Performance levels according to IEC 60603-2. Explanation chapter 00		
			3	2	1
<b>Male connector with angled solder pins</b>  Row separation termination side 5.08 mm (I)  Row separation termination side 2.54 mm (II)  SMC	48		09 05 148 7921	09 05 148 6921 09 05 148 6921 222 <sup>f)</sup> 09 05 348 6921 <sup>b)</sup> 09 05 648 6921 <sup>c)</sup> 09 05 848 6921 <sup>b)c)</sup>	09 05 148 2921 09 05 148 2921 222 <sup>f)</sup>  09 05 648 2921 <sup>c)</sup>
	46 + 2▲			09 05 148 6951	
	48		09 05 148 7931	09 05 148 6931 09 05 348 6931 <sup>b)</sup> 09 05 648 6931 <sup>c)</sup>	09 05 148 2931
	48			09 05 148 6920 <sup>d)</sup> 09 05 348 6920 <sup>b)d)</sup>	
	46 + 2▲			09 05 148 6961	

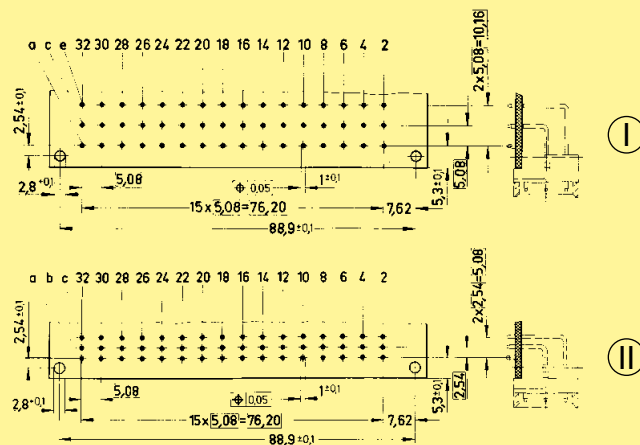
DIN Power up to 6 A

Dimensions



Board drillings

Mounting side



Dimensions in mm

▲ Male connectors with 2 leading contacts [(0.8 mm) pos. a2 and a32]  
 Other contact arrangements on request  
 b) Connectors with snap-in clips see chapter 00  
 c) Connectors with coding see chapter 00

d) CTI > 400  
 f) Railway classification NFF 16-101, Smoke index: F1, Flammability class: I2