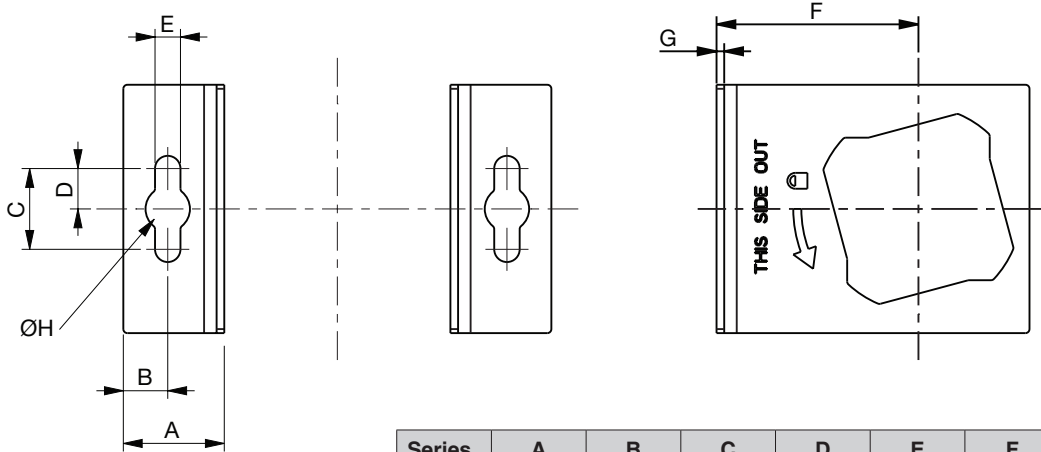


Dimensions: mm

Dimensional Drawing - Mounting Options

651 Series Side Mounting Brackets Kit: P651AT503860001

652 Series Side Mounting Brackets Kit: P652AT503860002



Series	A	B	C	D	E	F	G	ØH
651	25	11	20	10	6,3	44,5	1,27	11
652	25	11	20	10	6,3	50	1,9	11

Wall/Panel Bracket Kit: P699AT502467001 (651/652)

A	B	C	D
26	13	92	46
E	F	G	ØH
6	3	6,5	6,5
J	K	L	M
8	18	109	44,5

