

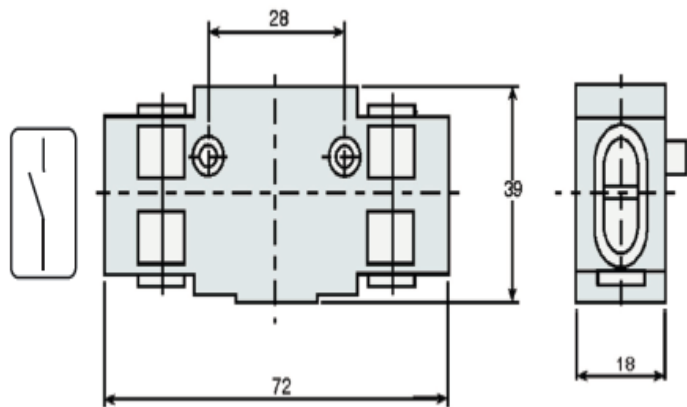


Datasheet

ENGLISH

## RS PRO Front Mount 25 – 63 A Main Pole Contact

RS Stock Number: 181-0615



Load Break Enclosures / Switch Size	Potential Number of Additional Auxiliary's
4P Diecast 25 - 63 A	1 Auxiliary

### Important Safety Notice

It is the responsibility of the person installing the electrical equipment to ensure that the installation meets the requirements of the IET wiring regulations and is therefore 'fit for purpose'. Factors such as correct selection of components, cable sizing, protective devices and Earth bonding are all critical and should be checked prior to full testing and power-up. Any other regulations applicable to the equipment being installed such as the Machinery Directive and current health and safety legislation must also be adhered to.

Terminals, including factory fitted, should be checked periodically to ensure correct tightness.

